

# BENCHMARK™

## 20V MAX USB POWER ADAPTER



Battery and charger sold separately



COMPATIBLE WITH  
ALL BENCHMARK  
OMEGA™ 20V  
MAX TOOLS

**READ ALL INSTRUCTIONS BEFORE FIRST USE.  
KEEP THIS MANUAL FOR FUTURE REFERENCE.  
KEEP AWAY FROM CHILDREN.**

Maximum initial battery voltage (measured without a load)  
is 20 volts. Nominal voltage is 18 volts.



**WEAR CSA APPROVED  
EYE PROTECTION**



**WEAR EAR  
PROTECTION**



**WEAR A  
FACE MASK**

## PRODUCT SPECIFICATIONS

Ports	2
Output voltage	5V, 1A,(2A)
Compatible batteries	5350-23, 5350-11 & 5350-12
Weight	0.31lb (0.14kg)

### **NEED ASSISTANCE?**

Call us on our toll-free customer support line:

**1-866-349-8665**

(Monday through Friday 9am – 5pm Eastern Standard Time)

- Technical questions
- Replacement parts
- Parts missing from package.

**TABLE OF CONTENTS**

Product Specification ..... 1  
Table of Contents ..... 2  
Safety Instructions ..... 3  
Operation ..... 4-6  
Exploded View ..... 7  
Warranty..... 8

## SAFETY INSTRUCTIONS

- Use the product only with specifically designated battery packs 5350-23, 5350-11, 5350-12) (not included). Use of any other battery packs may create a risk of injury and fire.
- Before using battery adapter, read all instructions and cautionary markings on battery.
- Do not disassemble battery adapter.
- If operating time has become excessively shorter, stop operating immediately. It may result in a risk of overheating, possible burns and even an explosion.
- Under abusive conditions, liquid may be ejected from the battery; avoid contact. If electrolyte gets into your eyes, rinse them out with clear water and seek medical attention right away. It may result in loss of your eyesight.
- Do not short the battery:
  1. Do not touch the terminals with any conductive material.
  2. Avoid storing battery cartridge in a container with other metal objects such as nails, coins, etc.
  3. Do not expose battery cartridge to water or rain.

A battery short can cause a large current flow, overheating, possible burns and even a breakdown.

- Do not store the product and battery cartridge in locations where the temperature may reach or exceed 50°C (122°F).
- Do not incinerate the battery cartridge even if it is severely damaged or is completely worn out. The battery cartridge can explode in a fire.
- Be careful not to drop or strike battery.
- Do not use a damaged battery.
- Follow your local regulations relating to disposal of battery.

### TIPS FOR MAINTAINING BATTERY LIFE

- Never recharge a fully charged battery cartridge. Overcharging shortens the battery service life.
- Charge the battery with room temperature at 10°C - 40°C (50°F -104°F).
- Let a hot battery cartridge cool down before charging it.
- Charge the battery cartridge if you do not use it for a long period (more than six months).
- For an optimum life-time, the battery cartridge has to be fully charged, after use.

**Save these instructions.**

**INSTALLING OR REMOVING THE USB CARTRIDGE (FIG.1)**

To install the USB cartridge (1), align the tongue on the USB cartridge with the groove on the battery and slip it into place. Insert it all the way until it locks in place with a little click. Ensure the USB cartridge is locked into place before use.

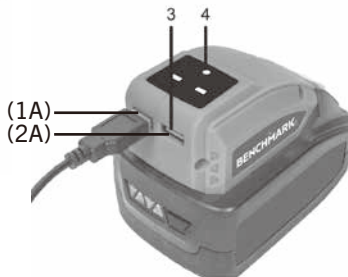
Do not install the USB cartridge forcibly. If the cartridge does not slide in easily, it is not being inserted correctly.

To remove the USB cartridge, slide it from the product while pressing the button (2) on the front of the battery.

**CONNECTING A USB DEVICE (FIG.2)**** WARNING**

Connect only devices which are compatible with DC5V, 2.1A power source to the USB power supply port. Otherwise it may cause malfunction to the product.

Press the power button on the USB cartridge to turn the cartridge ON (4). The indicator light will illuminate green. Connect the USB cable (not included) with the power supply port (3) and then connect the other end of the cable with the device you wish to recharge. The indicator light will flash green while the device is charging. When the device has finished charging the indicator light will stay green for 5 minutes. Press the power button on the USB cartridge to turn the cartridge OFF.

**Fig. 1****Fig. 2**

 **WARNING**

The USB cartridge will automatically turn off after 10 minutes if no device is plugged into the USB ports.

**NOTE:**

- Before connecting USB device to the product, always backup your data of the USB device. Otherwise your data may lost by any possibility. The seller is not responsible of any kind of data loss.
- The product may not supply power to some USB devices.
- Do not insert a nail, wire, etc. into USB power supply port. Otherwise a circuit short may cause smoke and fire.
- Wait for 10 seconds before charging another device consecutively.
- On rare occasions, the tool may not start charging due to the protection system to reduce battery consumption. In that case, remove the USB cable, and reconnect it after approximately 10 seconds.

## SYMBOLS

The rating plate on your tool may show symbols. These represent important information about the product or instructions on its use.



Read the instruction manual.



Product conforms to RoHs requirements.



This product is suitable for indoor use

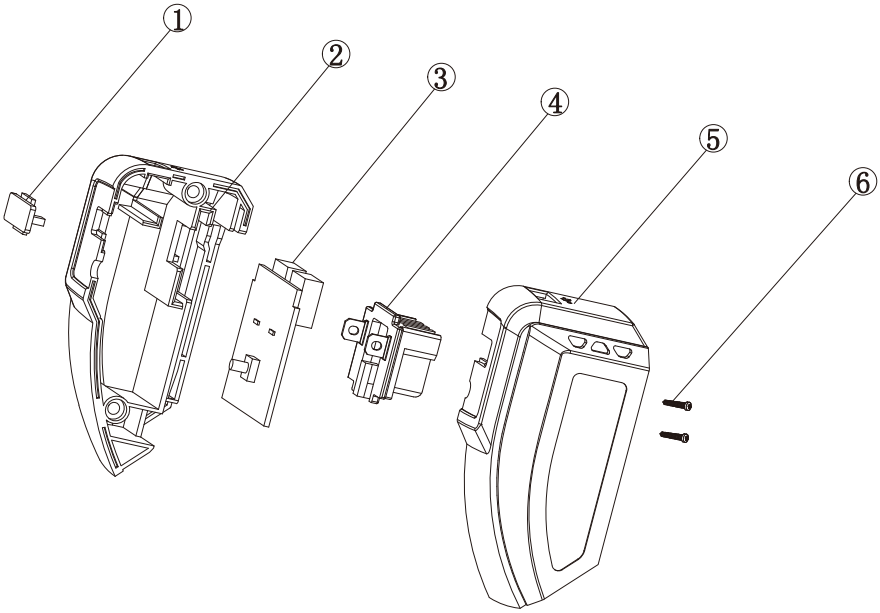


Waste electrical products should not be disposed of with household waste. Please recycle where facilities exist.



Check with your Local Authority or retailer for recycling advice.

## EXPLODED VIEW



## PARTS LIST

KEY #	PART #	PART NAME	QUANTITY
1	3200060003	light guide	1
2	3010210007	upper housing	1
3	1130030063	PCB	1
4	3150170016	electrode plate	1
5	3010210007	lower housing	2
6	4030010034	screw ST2.9X16	1

## NEED ASSISTANCE?

Call us on our toll-free customer support line:

**1-866-349-8665**

(Monday through Friday 9am – 5pm Eastern Standard Time)

- Technical questions
- Replacement parts
- Parts missing from package.



## **BENCHMARK WARRANTY**

If this Benchmark tool fails due to a defect in material or workmanship within five years from the date of purchase, return it to any Home Hardware store with the original bill of sale for exchange. 3-year warranty for the battery and charger. This warranty does not include expendable parts including but not limited to blades, brushes, belts, light bulbs.

This warranty covers defects in material or workmanship only. It does not cover normal wear and tear, failure due to abuse/misuse, or defects caused by careless or accidental mishandling. If this Benchmark product is used for commercial or rental purposes, this warranty does not apply.

# 20V MAX USB POWER ADAPTER



**BENCHMARK**<sup>TM</sup><sub>MC</sub>

**BENCHMARK TOOLS CANADA**

ST. JACOBS, ONTARIO N0B 2N0

© 2020 Home Hardware Stores Limited

**CUSTOMER SERVICE/TECH SUPPORT**

1-866-349-8665

**1249-004**

Made in China



\* This Benchmark<sup>TM</sup> product carries a three (3) year LIMITED warranty against defects in workmanship and materials. See Owner's Manual for full details.



COMPATIBLE WITH  
ALL BENCHMARK  
OMEGA<sup>TM</sup> 20V  
MAX TOOLS

**READ ALL INSTRUCTIONS BEFORE FIRST USE.  
KEEP THIS MANUAL FOR FUTURE REFERENCE.  
KEEP AWAY FROM CHILDREN.**

Maximum initial battery voltage (measured without a load)  
is 20 volts. Nominal voltage is 18 volts.



**WEAR CSA APPROVED  
EYE PROTECTION**



**WEAR EAR  
PROTECTION**



**WEAR A  
FACE MASK**