

Radley®

4V MAX RETRACTABLE SCREWDRIVER KIT

OWNER'S MANUAL



3 Year Limited Warranty on tool



E114847
JD5033M

**READ ALL INSTRUCTIONS BEFORE FIRST USE.
KEEP THIS MANUAL FOR FUTURE REFERENCE.
KEEP AWAY FROM CHILDREN.**

Maximum initial battery voltage (measured without a load)
is 4 volts. Nominal voltage is 3.6 volts.



**WEAR CSA APPROVED
EYE PROTECTION**



**WEAR EAR
PROTECTION**



**WEAR FACE
PROTECTION**

PRODUCT SPECIFICATIONS

4V MAX RETRACTABLE SCREWDRIVER KIT	
Speed:	200 RPM (no load)
Torque:	35-40 in. lbs.
Hex drive:	¼" (6.35 mm) magnetic quick-change chuck
Screwdriver bits:	7 X 1" (25.4mm) assorted
Battery:	4 V, 1.5 Ah Lithium-ion
Charging system:	Cable with computer or cell phone USB connector
Charging time:	45 minutes – 5 hours depending upon USB output
Weight:	1 lb. 2 oz. (0.46 kg)

NEED ASSISTANCE?

Call us on our toll- free customer support line:
1-866-349-8665 (Monday through Friday 9am – 5pm Eastern Standard Time)

- Technical questions
- Replacement parts
- Parts missing from package

GENERAL SAFETY WARNINGS**⚠ WARNING**

Before using this tool or any of its accessories, read this manual and follow all Safety Rules and Operating Instructions. The important precautions, safeguards and instructions appearing in this manual are not meant to cover all possible situations. It must be understood that common sense and caution are factors which cannot be built into the product.

EYE, EAR, LUNG PROTECTION




SYMBOL	MEANING
<p>⚠ DANGER</p> 	<p>ALWAYS WEAR EYE PROTECTION THAT CONFORMS WITH CSA Z94.3 or ANSI SAFETY STANDARD Z87.1</p> <p>FLYING DEBRIS can cause permanent eye damage.</p> <p>Prescription eyeglasses ARE NOT a replacement for proper eye protection. The usage of a safety standard compliant face shield placed over proper safety glasses or goggles can reduce the risk of facial injury.</p> <p>Non-compliant eyewear can cause serious injury if broken during the operation of a power tool.</p>
<p>⚠ WARNING</p> 	<p>Use hearing protection, particularly during extended periods of operation of the tool, or if the operation is noisy.</p>
<p>⚠ WARNING</p> 	<p>WEAR A DUST MASK THAT IS DESIGNED TO BE USED WHEN OPERATING A POWER TOOL IN A DUSTY ENVIRONMENT.</p> <p>Dust that is created by power sanding, sawing, grinding, drilling, and other construction activities may contain chemicals that are known to cause cancer, birth defects, or other genetic abnormalities. These chemicals include:</p> <ul style="list-style-type: none"> ● Lead from lead-based paints ● Crystalline silica from bricks, cement, and other masonry products ● Arsenic and chromium from chemically treated lumber <p>The level of risk from exposure to these chemicals varies, according to how often this type of work is performed. In order to reduce exposure to these chemicals, work in a well-ventilated area, and use approved safety equipment, such as a dust mask that is specifically designed to filter out microscopic particles.</p>

TABLE OF CONTENTS

Product Specifications	1
General Safety Warnings	2
Eye, Ear, Lung Protection	2
Table of Contents	3
Power Tool Safety	4
Work Area Safety	4
Electrical Safety	4
Personal Safety	4
Power Tool Use and Care	4
Battery Tool Use and Care	5
Service	5
Specific Safety Rules	5
Battery and Charger Safety	6
Charging the Battery	6
Assembly and Operation	7
Removing a Bit From the Bit Storage Cartridge	7
Installing a Screwdriver Bit	7
Forward/Reverse Switch	8
LED Work-Light	8
Maintenance	9
General	9
Lithium-Ion Battery Maintenance	9
Preparation for Recycling	9
Warranty	10

POWER TOOL SAFETY

WARNING

Read all safety warnings and instructions. Failure to follow the warnings and instructions may result in electric shock, fire and/or serious injury.

Save all warnings and instructions for future reference.

WORK AREA SAFETY

Keep work area clean and well lit. Cluttered or dark areas invite accidents.

Do not operate power tools in explosive atmospheres, such as in the presence of flammable liquids, gases or dust. Power tools create sparks which may ignite the dust or fumes.

Keep children and bystanders away while operating a power tool. Distractions can cause you to lose control.

ELECTRICAL SAFETY

Power tool plugs must match the outlet. Never modify the plug in any way.

Do not expose power tools to rain or wet conditions. Water entering a power tool will increase the risk of electric shock.

PERSONAL SAFETY

Stay alert, watch what you are doing and use common sense when operating a power tool. Do not use a power tool while you are tired or under the influence of drugs, alcohol or medication. A moment of inattention while operating power tools may result in serious personal injury.

Use personal protective equipment. Always wear eye protection.

Prevent unintentional starting. Ensure the switch is in the OFF position before installing the battery pack, picking up or carrying the tool. Carrying power tools with your finger on the switch or energizing power tools that have the switch on invites accidents.

Do not overreach. Keep proper footing and balance at all times. This enables better control of the power tool in unexpected situations.

Dress properly. Do not wear loose clothing or jewellery. Keep your hair, clothing and gloves away from moving parts. Loose clothes, jewellery or long hair can be caught in moving parts.

POWER TOOL USE AND CARE

Do not force the power tool. Use the correct power tool for your application. The correct power tool will do the job better and safer at the rate for which it was designed.

Do not use the power tool if the switch does not turn it on and off. Any power tool that cannot be controlled with the switch is dangerous and must be repaired.

Store idle power tools out of the reach of children and do not allow persons unfamiliar with the power tool or these instructions to operate the power tool. Power tools are dangerous in the hands of untrained users.

Maintain power tools. Check for misalignment or binding of moving parts, breakage of parts and any other condition that may affect the power tool's operation. If damaged, have the power tool repaired before use. Many accidents are caused by poorly maintained power tools.

BATTERY TOOL USE AND CARE

Recharge only with the charger specified by the manufacturer. A charger that is suitable for one type of battery pack may create a risk of fire when used with another battery pack.

Under abusive conditions, liquid may be ejected from the battery; avoid contact. If contact accidentally occurs, flush with water. If liquid contacts eyes, additionally seek medical help. Liquid ejected from the battery may cause irritation or burns.

SERVICE

Have your power tool serviced by a qualified repair person using only identical replacement parts. This will ensure that the safety of the power tool is maintained.

SPECIFIC SAFETY RULES

This tool is NOT a toy. Do not allow young children to operate the tool, as misuse can result in serious injury.

Use clamps or another practical way to secure and support the workpiece to a stable platform. Holding the work by hand or against your body is unstable and may lead to loss of control.

Always wear safety goggles or eye protection when using this tool.

Always check to make sure the area where screws are being driven or where holes are being drilled does not have any hidden wiring. Contact with a "live" wire will make exposed metal parts of the tool "live" and could result in an electric shock to the operator.

Do not drive screws or break into existing walls or other blind areas where electrical wiring may exist. If this situation is unavoidable, remove all fuses or disconnect all breakers feeding the work area.

Never hold the body of the screwdriver near the switch while changing bits. Accidentally touching the switch may start the tool and possibly cause an injury.

Always use the correct shape of screwdriver bit that matches the head of the screw.

Always use the largest size screwdriver bit that will properly fit into the head of the screw.

Do not use worn or damaged screwdriver bits. Worn or damaged screwdriver bits will not drive the screw properly and may jump out of the screw head, causing possible injury and damage to the workpiece.

BATTERY AND CHARGER SAFETY

⚠️ WARNING

If the lithium-ion battery no longer charges properly or is damaged, the screwdriver must not be discarded as household trash, burned or thrown into water. The screwdriver must be disposed of as hazardous waste in accordance with all municipal requirements.

Charge the battery only with the 4V USB charging cable supplied for this 4V Li-ion screwdriver.

For best results, charge the battery when the temperature of the battery and the work area is at or above 0° C (32° F) and below 45° C (113° F).

CHARGING THE BATTERY

⚠️ WARNING

Use only the specified Li-ion charging cable supplied with your tool. Using any other charging system may damage the battery and possibly cause serious injury.

1. To charge the battery, plug the magnetic end of the charging cable (1) into the matching receptacle on the base of the screwdriver handle (Fig. 1).

NOTE: You do not have to be concerned about polarity, just make sure the plug is held in place magnetically.

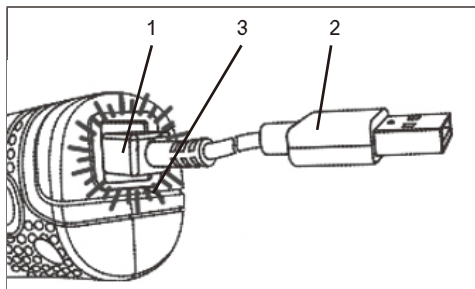


Fig. 1

2. Plug the charging cable (2) into any USB port such as computer, cell phone charger, cube or even car (Fig. 2). The LED light (3) on the base of the screwdriver handle will glow RED when the battery is being charged (Fig. 1). The LED will glow GREEN when the battery is fully charged.

NOTES: a) If the LED does not glow when the USB plug is inserted into the USB port, it means that USB port is not "live". b) The time to fully charge a depleted battery will vary depending upon the output of the USB device being used to charge the battery. This can vary from 45 minutes to 5 hours or more.

ASSEMBLY AND OPERATION

REMOVING A BIT FROM THE BIT STORAGE CARTRIDGE

1. Rotate the cartridge knob (1) until the desired bit is visible in the cartridge window (2) Fig. 2.

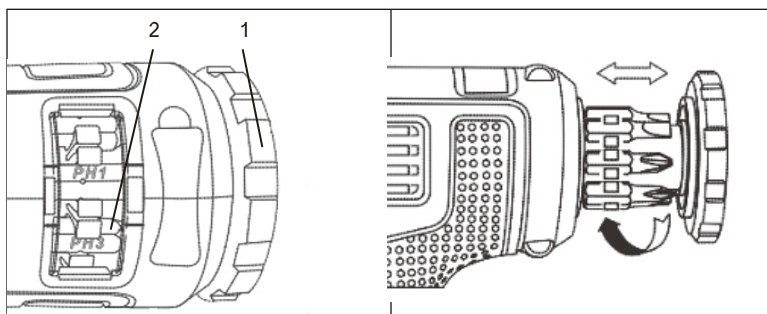


Fig. 2

Fig. 3

2. Pull outward on the cartridge knob until the bits are fully exposed (Fig. 3).
3. Remove the desired bit and return the cartridge to its original position within the screwdriver.

INSTALLING A SCREWDRIVER BIT

WARNING

Never hold the screwdriver with your fingers near the switch while changing the screwdriver bits. Accidentally touching the switch may start the tool and possibly cause an injury.

1. Insert the screwdriver bit (1) into the collet (2) until the bit is securely held in the collet by the magnetized collet (Fig. 4).

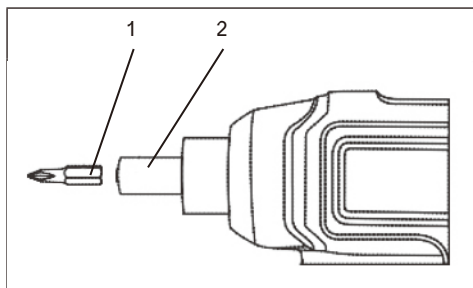


Fig. 4

FORWARD/REVERSE SWITCH

1. To drive screws, press the upper portion of the trigger switch (1) (Fig. 5).
2. To remove screws, press the lower portion of the trigger switch (2).

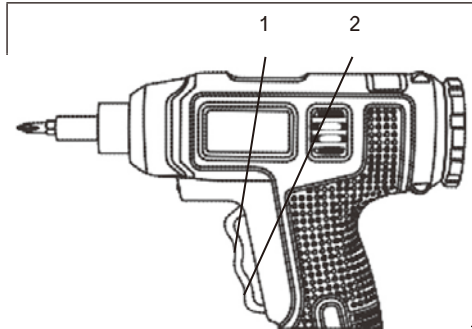


Fig. 5

LED WORK LIGHT

The LED work light (1) will automatically turn ON when the trigger switch is activated (Fig. 6). It will automatically turn OFF when the trigger switch is released.

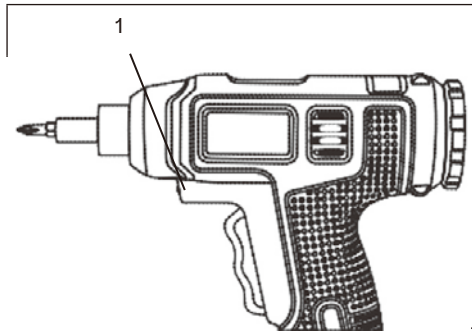


Fig. 6

WARNING

For safety reasons, the operator must read the sections of this Owner's Manual entitled "GENERAL SAFETY WARNINGS", "POWER TOOL SAFETY", "SPECIFIC SAFETY RULES", and "BATTERY AND CHARGER SAFETY" before using this screwdriver.

Every time you use the screwdriver you should verify the following:

1. Screwdriver bit is the correct type & size, not worn and not damaged in any way.
2. Workpiece is properly secured.
3. Safety glasses are being worn.

Failure to adhere to these safety rules can greatly increase the chances of injury.

MAINTENANCE

GENERAL

DO NOT use solvents when cleaning plastic parts. Plastics are susceptible to damage from various types of commercial solvents and may be damaged by their use. Use a clean cloth to remove dirt, dust, oil, grease etc.

WARNING

Do not allow brake fluids, gasoline, petroleum-based products, penetrating oils, etc. to come into contact with plastic parts. They contain chemicals that can damage, weaken or destroy plastic.

WARNING

When cleaning the tool with compressed air, always wear safety goggles. Flying debris can cause serious eye damage. DO NOT abuse power tools. Abusive practices can damage the tool and the workpiece.

WARNING

DO NOT attempt to modify tools or create accessories. Any such alteration or modification is misuse and could result in a hazardous condition leading to possible serious injury. It will also void the warranty.

LITHIUM-ION BATTERY MAINTENANCE

Lithium-ion batteries do not have a “memory” and do not require to be completely discharged periodically. It is recommended that you charge your Lithium-ion batteries after each use so they will be fully charged when needed.

NOTE: A fully charged battery will lose about 2% of its charge per month during storage.

PREPARATION FOR RECYCLING

To preserve our natural resources, please recycle or dispose of this tool properly.

The battery supplied with this tool may contain chemicals and metals that are harmful to the environment. Never dispose of rechargeable batteries in your normal household garbage or in landfill sites because they will add to the pollution of the environment.

Consult your local waste authority for information regarding available recycling and disposal options.

WARNING

Upon removal of the battery pack, cover the terminals of the battery pack with electrical tape or heavy-duty adhesive tape. Never touch both terminals with metal objects or body parts, because a short circuit may result. Keep away from children. Do not attempt to destroy or disassemble battery packs or remove any of its components. Rechargeable batteries must be recycled or disposed of properly. Failure to comply with these warnings could result in fire and serious injury.

WARRANTY

If this Radley Tool fails due to a defect in material or workmanship within three years from the date of purchase, return it to any Home Hardware store with the original bill of sale for exchange. Two years for battery and charger. This warranty does not include expendable parts including but not limited to blades, brushes, belts and light bulbs. This warranty covers defects in material or workmanship only. It does not cover normal wear and tear, failure due to abuse/misuse, or defects caused by careless or accidental mishandling. If this Radley product is used for commercial or rental purposes, this warranty does not apply. Need Assistance?

Call us on our toll-free customer support line: 1-866-349-8665 (Monday through Friday 9am – 5pm Eastern Time)

Technical questions Replacement parts missing from package.

4V MAX RETRACTABLE SCREWDRIVER KIT

OWNER'S MANUAL



3 Year Limited Warranty on tool

Radley[®]

RADLEY TOOLS
ST. JACOBS, ONTARIO N0B 2N0
© 2021 Home Hardware Stores Limited
1-866-349-8665
Customer Service/Tech Support

1248-202

Made in China

**3 Year
warranty**

This Radley[®] product carries a three (3) year LIMITED warranty against defects in workmanship and materials. See Owner's Manual for full details.



E114847
JD5033M

**READ ALL INSTRUCTIONS BEFORE FIRST USE.
KEEP THIS MANUAL FOR FUTURE REFERENCE.
KEEP AWAY FROM CHILDREN.**

Maximum initial battery voltage (measured without a load) is 4 volts. Nominal voltage is 3.6 volts.



**WEAR CSA APPROVED
EYE PROTECTION**



**WEAR EAR
PROTECTION**



**WEAR FACE
PROTECTION**