

Radley®

7 Amp • 1/2" Hammer Drill

120V • 60Hz

*Owner's
Manual*

Variable Speed



**READ ALL INSTRUCTIONS BEFORE FIRST USE.
KEEP THIS MANUAL FOR FUTURE REFERENCE.
KEEP AWAY FROM CHILDREN.**



**WEAR CSA APPROVED
EYE PROTECTION**



**WEAR EAR
PROTECTION**



**WEAR A
FACE MASK**

PRODUCT SPECIFICATIONS

Rating:	120V, 60Hz, AC
Amperes:	7.0 AMP
Motor speed:	0-2,800 RPM (no load)
Beats per minute:	0-44,800 BPM
Chuck:	½" Keyed
Maximum drilling capacity in metal:	½" / 13 mm
Weight:	4 lb 14 oz / 2.2 kg

Need Assistance?

Call us on our toll free customer support line:

1-866-349-8665 (Monday through Friday 9am – 5pm Eastern Standard Time)

- Technical questions
- Replacement parts
- Parts missing from package

TABLE OF CONTENTS

Product specifications	1
Table of contents	2
General safety warnings	3
Eye, ear & lung protection	3
Electrical safety	4-7
Power tool safety	4
Personal safety	5
Power tool use and care	6-7
Service	7
Specific safety rules	7-8
Extension cord safety	8
Symbols	9
Know your hammer drill	10
Available accessories	10
Contents	11
Assembly and operating	12-17
Forward/reverse switch	12
Variable speed trigger switch	12
Drill /impact hammer switch.....	12
Installing drill bits	13
Removing drill bits	13
Trigger switch lock	14
Installing the auxiliary handle	14
Installing the depth rod	14
Drilling	15-16
Removing the chuck	16
Retightening a loose chuck	17
Maintenance	17
Exploded view	18
Parts list	19-20
Warranty	21



GENERAL SAFETY WARNINGS

WARNING: Before using this tool or any of its accessories, read this manual and follow all Safety Rules and Operating Instructions. The important precautions, safeguards and instructions appearing in this manual are not meant to cover all possible situations. It must be understood that common sense and caution are factors which cannot be built into the product.

This instruction manual includes the following:

- General Safety Warnings
- Specific Safety Rules and Symbols
- Functional Description
- Assembly
- Operation
- Maintenance
- Accessories

EYE, EAR & LUNG PROTECTION



**WEAR CSA APPROVED
EYE PROTECTION**



**WEAR EAR
PROTECTION**



**WEAR A
FACE MASK**

ALWAYS WEAR EYE PROTECTION THAT CONFORMS WITH CSA REQUIREMENTS or ANSI SAFETY STANDARD Z87.1

FLYING DEBRIS can cause permanent eye damage. Prescription eyeglasses ARE NOT a replacement for proper eye protection. **WARNING:** Non-compliant eyewear can cause serious injury if broken during the operation of a power tool.

ALWAYS WEAR EAR PROTECTION

WARNING: Use hearing protection, particularly during extended periods of operation of the tool, or if the operation is noisy.

WEAR A DUST MASK THAT IS DESIGNED TO BE USED WHEN OPERATING A POWER TOOL IN A DUSTY ENVIRONMENT.

WARNING: Dust that is created by power sanding, sawing, grinding, drilling, and other construction activities may contain chemicals that are known to cause cancer, birth defects, or other genetic abnormalities. These chemicals include: Lead from lead-based paints; Crystalline silica from bricks, cement, and other masonry products; Arsenic and chromium from chemically treated lumber. The level of risk from exposure to these chemicals varies, according to how often this type of work is performed. In order to reduce exposure to these chemicals, work in a well-ventilated area, and use approved safety equipment, such as a dust mask that is specifically designed to filter out microscopic particles.

ELECTRICAL SAFETY



WARNING: To avoid electrical hazards, fire hazards or damage to the tool, use proper circuit protection.

This tool is wired at the factory for 120 V AC operation. It must be connected a 120 V AC, 15 AMP circuit that is protected by a time delayed fuse or circuit breaker. To avoid shock or fire, replace power cord immediately if it is worn, cut or damaged in any way.

POWER TOOL SAFETY

⚠ WARNING: Read all safety warnings and instructions. Failure to follow the warnings and instructions may result in electric shock, fire and/or serious injury. **Save all warnings and instructions for future reference.**

WORK AREA SAFETY

Keep work area clean and well lit. Cluttered or dark areas invite accidents.

Do not operate power tools in explosive atmospheres, such as in the presence of flammable liquids, gases or dust. Power tools create sparks which may ignite the dust or fumes.

Keep children and bystanders away while operating a power tool. Distractions can cause you to lose control.

ELECTRICAL SAFETY

Power tool plugs must match the outlet. Never modify the plug in any way. Do not use any adapter plugs with earthed (grounded) power tools. Unmodified plugs and matching outlets will reduce risk of electric shock.

Avoid body contact with earthed or grounded surfaces such as pipes, radiators, ranges and refrigerators. There is an increased risk of electric shock if your body is earthed or grounded.

Do not expose power tools to rain or wet conditions. Water entering a power tool will increase the risk of electric shock.

Do not abuse the cord. Never use the cord for carrying, pulling or unplugging the power tool. Keep cord away from heat, oil, sharp edges or moving parts. Damaged or entangled cords increase the risk of electric shock.

When operating a power tool outdoors, use an extension cord suitable for outdoor use. Use of a cord suitable for outdoor use reduces the risk of electric shock.

If operating a power tool in a damp location is unavoidable, use a residual current device (RCD) protected supply. Use of a ground fault circuit interrupter (GFCI) reduces the risk of electric shock.

PERSONAL SAFETY

Stay alert, watch what you are doing and use common sense when operating a power tool. Do not use a power tool while you are tired or under the influence of drugs, alcohol or medication. A moment of inattention while operating power tools may result in serious personal injury.

Use personal protective equipment. Always wear eye protection. Protective equipment such as dust mask, non-skid safety shoes, hard hat, or hearing protection used for appropriate conditions will reduce personal injuries.

Prevent unintentional starting. Ensure the switch is in the off-position before connecting to power source and/or battery pack, picking up or carrying the tool. Carrying power tools with your finger on the switch or energizing power tools that have the switch on invites accidents.

Remove any adjusting key or wrench before turning the power tool on. A wrench or a key left attached to a rotating part of the power tool may result in personal injury.

Do not overreach. Keep proper footing and balance at all times. This enables better control of the power tool in unexpected situations.

Dress properly. Do not wear loose clothing or jewellery. Keep your hair, clothing and gloves away from moving parts. Loose clothes, jewellery or long hair can be caught in moving parts.

If devices are provided for the connection of dust extraction and collection facilities, ensure these are connected and properly used. Use of dust collection can reduce dust related hazards.

POWER TOOL USE AND CARE

Do not force the power tool. Use the correct power tool for your application. The correct power tool will do the job better and safer at the rate for which it was designed.

Do not use the power tool if the switch does not turn it on and off. Any power tool that cannot be controlled with the switch is dangerous and must be repaired.

Disconnect the plug from the power source and/or the battery pack from the power tool before making any adjustments, changing accessories, or storing power tools. Such preventive safety measures reduce the risk of starting the power tool accidentally.

Store idle power tools out of the reach of children and do not allow persons unfamiliar with the power tool or these instructions to operate the power tool. Power tools are dangerous in the hands of untrained users.

Maintain power tools. Check for misalignment or binding of moving parts, breakage of parts and any other condition that may affect the power tool's operation. If damaged, have the power tool repaired before use. Many accidents are caused by poorly maintained power tools.

Keep cutting tools sharp and clean. Properly maintained cutting tools with sharp cutting edges are less likely to bind and are easier to control.

Use the power tool, accessories and tool bits etc. in accordance with these instructions, taking into account the working conditions and the work to be performed. Use of the power tool for operations different from those intended could result in a hazardous situation.

Hold power tools by insulated gripping surfaces when performing an operation where the cutting tool may contact hidden wiring or its own cord. Contact with a "live" wire will make exposed metal parts of the tool "live" and shock the operator.

Use auxiliary handles supplied with the tool. Loss of control can cause personal injury.

Wear ear protectors with impact drills. Exposure to noise can cause hearing loss.

Service

Have your power tool serviced by a qualified repair person using only identical replacement parts. This will ensure that the safety of the power tool is maintained.

SPECIFIC SAFETY RULES

⚠ WARNING: Know your hammer drill. Do not plug in the hammer drill until you have read and understand this Instruction Manual. Learn the tool's applications and limitations, as well as the specific potential hazards related to this tool. Following this rule will reduce the risk of electric shock, fire, or serious injury.



WEAR CSA APPROVED EYE PROTECTION

Always wear eye protection. Any power tool can throw foreign objects into your eyes and cause permanent eye damage. ALWAYS wear safety goggles (not glasses) that comply with ANSI safety standard Z87.1. Everyday glasses have only impact resistant lenses. They ARE NOT safety glasses.

⚠ WARNING: Glasses or goggles not in compliance with ANSI Z87.1 could cause serious injury when they break.

⚠ WARNING: Always use a safety shield, hearing protection and dust mask when operating the drill in "hammer" mode.

Use only hammer drill bits and accessories that are designed for use with a hammer drill when using this hammer drill in the hammer mode. Standard drill bits are NOT designed for use in a hammer drill and MUST NOT be used with a hammer drill in hammer drill mode. They may shatter and possibly cause serious injury.

Do not drill material too small to be securely held.

Always keep hands out of the path of the drill bit. Avoid awkward hand positions where a sudden slip could cause your hand to move into the path of the drill bit.

Secure the workpiece. Use clamps or a vice to hold the workpiece. It is safer than using your hand and it frees both hands to operate the tool.

Make sure there are no nails or foreign objects in the part of the workpiece to be drilled.

To avoid injury from accidental starting, always remove the plug from the power source before installing or removing a drill bit.

Before starting the operation, jog the drill switch to make sure the drill bit does not wobble or vibrate.

Do not use fly cutters or multiple part hole cutters, because they can come apart or become unbalanced during use.

Make sure the spindle has come to a complete stop before touching the chuck or attempting to change the drill bit.

Always make sure the chuck is tight and the drill bit firmly tightened in the chuck before starting drill.

GUIDELINES FOR EXTENSION CORDS

⚠ WARNING: Keep the extension cord clear of the working area. Position the cord so it will not get caught on the workpiece, tools or any other obstructions while you are working with the power tool.

Make sure any extension cord used with this tool is in good condition. When using an extension cord, be sure to use one of heavy enough gauge to carry the current the tool will draw. An undersized cord will cause a drop in line voltage resulting in loss of power and overheating.

The table below shows the correct size to use according to cord length and nameplate ampere rating. If in doubt, use the next heavier gauge. The smaller the gauge number the heavier the cord.



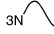
Be sure your extension cord is properly wired and in good condition. Always replace a damaged extension cord or have it repaired by a qualified electrician before using it. Protect your extension cord from sharp objects, excessive heat and damp or wet areas.


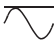









Use a separate electrical circuit for your power tools. This circuit must not be less than 14-gauge wire and should be protected with either a 15A time delay fuse or circuit breaker. Before connecting the power tool to the power source, make sure the switch is in the OFF position and the power source is the same as indicated on the nameplate. Running at lower voltage will damage the motor.

MINIMUM GAUGE (AWG) EXTENSION CORDS (120 V use only)					
Amperage rating		Total length			
More than	Not more than	7.5 m (25')	15 m (50')	30 m (100')	45 m (150')
0	6	18	16	16	14
6	10	18	16	14	12
10	12	16	16	14	12
12	16	14	12	Not Applicable	

SYMBOLS

⚠ WARNING: Some of the following symbols may appear on the hammer drill. Study these symbols and learn their meaning. Proper interpretation of these symbols will allow for more efficient and safer operation of this tool.

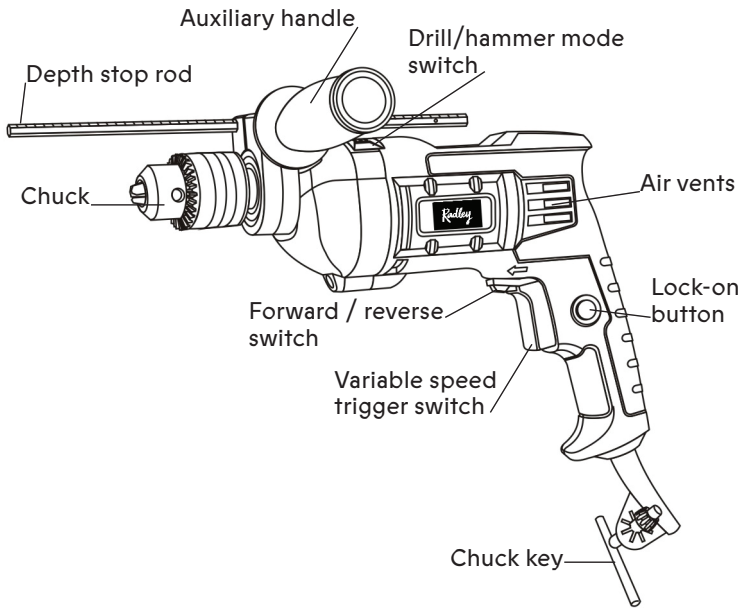
V	Volts
A	Amperes
Hz	Hertz
W	Watts
kW	Kilowatts
μF	Microfarads
L	Liters
kg	Kilograms
H	Hours
N/cm ²	Newtons per square centimeter
Pa	Pascals
OPM	Oscillations per minute
Min	Minutes
S	Seconds
	Alternating current
or a.c.	
	Three-phase alternating current
	Three-phase alternating current with neutral

	Direct current
n_0	No load speed
	Alternating or direct current
	Class II construction
	Splashproof construction
	Watertight construction
	Protective grounding at grounding terminal, Class I tools
.../min	Revolutions or reciprocations per minute
∅	Diameter
0	Off position
	Directional arrow
	Warning symbol
	Wear your safety glasses
	Wear your hearing protection
	Wear dust mask



This symbol designates that this tool is listed with U.S. requirements by Underwriters Laboratories.

KNOW YOUR HAMMER DRILL



ACCESSORIES

⚠ WARNING: Use only accessories that are recommended for this drill. Follow the instructions that accompany the accessories. The use of improper accessories may result in injury to the operator or damage to the drill.

Before using any accessory, carefully read the instructions or the owner's manual for the accessory.

- Drill bits
- Buffing wheels
- Sanding drums
- Hole saws
- Paint stirring accessories

⚠ WARNING: If any part is missing or damaged, do not plug the drill into the power source until the missing or damaged part is replaced.

CONTENTS

Carefully unpack the drill. Compare the contents against the "HAMMER DRILL COMPONENTS" chart at right.

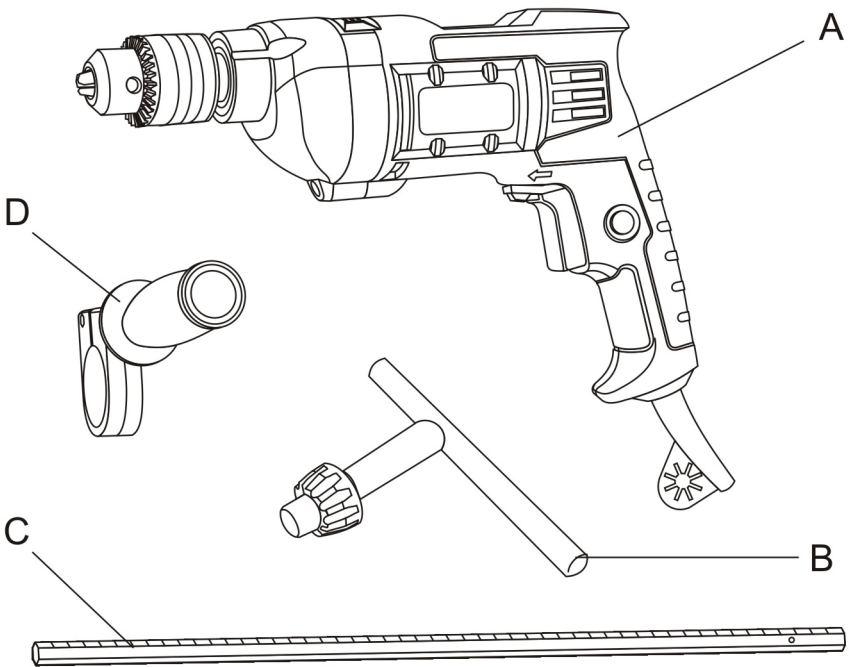
NOTES:

See illustration of the drill below.

⚠ WARNING: To avoid fire or toxic reaction, never use gasoline, naphtha, acetone, lacquer thinner or similar highly volatile solvents to clean the tool.

HAMMER DRILL COMPONENTS

Key	Description	Quantity
A	Drill	1
B	Chuck key	1
C	Depth rod	1
D	Auxiliary handle	1
	Owner's manual	



ASSEMBLY AND OPERATING

FORWARD/REVERSE SWITCH

The forward/reverse switch (1) is conveniently mounted in front of the trigger switch (2) (Fig. 1). To make the drill rotate clockwise for drilling, push the forward/reverse switch to the left. To make the drill rotate counterclockwise, push the forward/reverse switch to the right.

NOTES:

- a) Never change the position of the forward/reverse switch while the chuck is turning.
- b) There is no dead center position for the forward/reverse switch. The tool will run only when it is in either the full left or full right position.

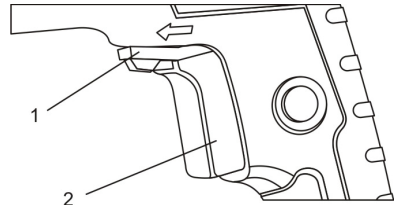


Fig. 1

VARIABLE SPEED TRIGGER SWITCH

This drill is equipped with a variable speed ON/OFF trigger switch.

1. To start drill, gently squeeze the trigger switch (2) (Fig. 2).

NOTE: The drill will turn at its slowest speed when the trigger switch is depressed slightly. The drill will turn at its fastest speed when the trigger switch is fully depressed.

2. To stop the drill, release the trigger switch.

NOTE: Drilling at a slow speed for an extended period of time may cause the drill motor to overheat. If drill gets hot, stop drilling and allow it to cool for at least 15 minutes.

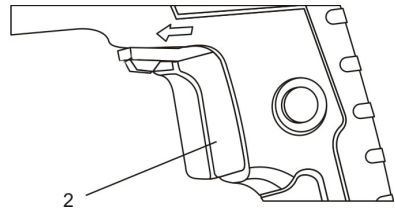


Fig. 2

DRILL / IMPACT HAMMER MODE SWITCH

The drill / impact hammer switch (1) changes the drilling mode between conventional drilling and impact hammer mode for drilling concrete. To operate the drill in drill mode, push the drill / impact hammer switch to the right (Fig 3A). To operate the drill in impact hammer mode, push the drill / impact hammer switch to the left (Fig. 3B).

WARNINGS:

- a) Always use a face shield, hearing protection and a dust mask when drilling in concrete.
- b) Always use carbide tipped masonry bits when drilling in masonry. Any other type of bit could break and possibly cause serious injury.

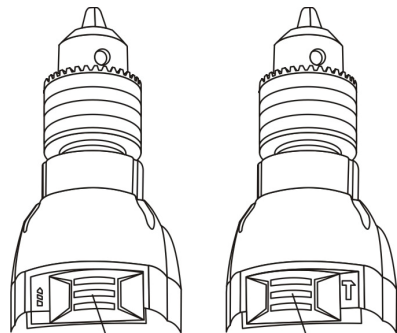


Fig. 3A

Fig. 3B

ASSEMBLY AND OPERATING

INSTALLING DRILL BITS

⚠ WARNING: Never hold the chuck body with one hand and use the drill power to rotate the drill body to loosen or tighten bits. Serious injury may result.

1. Remove drill plug from the power source.
2. Rotate chuck collar (1) in a counter clockwise direction until the chuck jaws (2) open wide enough to accept the bit (3) (Fig. 4).
3. Insert the bit into the chuck the full length of the jaws or until the spiral portion of the bit is near the chuck jaws. Raise the front of your drill slightly to prevent the bit from falling out of the chuck jaws.
4. Tighten the chuck jaws onto the bit by turning the chuck body in a clockwise direction.

NOTE: Make sure the bit is properly aligned in the jaws and NOT at an angle. An improperly aligned bit could be thrown from the chuck when the drill is started.

5. Finish tightening the chuck jaws by inserting the chuck key (4) into one of three holes (5) in the chuck body. Rotate chuck key clockwise until drill bit is held firmly in place by the chuck jaws.

NOTE: Do NOT use a wrench or pliers on the chuck key. You may damage the key or the chuck.

⚠ WARNING: Do not insert the drill bit into the chuck and tighten as shown in Fig. 5. The drill bit MUST be properly inserted with all three of the chuck jaws holding the bit centered in the chuck. Failure to properly insert the drill bit could cause the drill bit to be thrown from the chuck, resulting in possible serious injury or damage to the chuck.

REMOVING DRILL BITS

1. Remove the drill plug from the power source.
2. Insert the chuck key into one of the three holes in the chuck body. Rotate the chuck key counter clockwise until the chuck jaws release the drill bit.

NOTE: Do not use a wrench on the chuck key or you may damage the key or chuck.

3. Remove the drill bit.

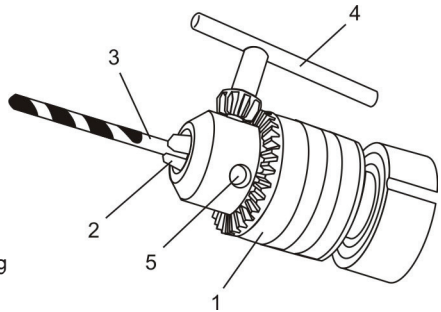


Fig. 4

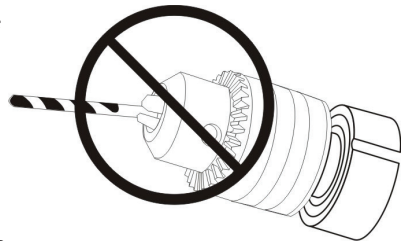


Fig. 5

ASSEMBLY AND OPERATING

TRIGGER SWITCH LOCK

The trigger switch lock-on feature allows the trigger switch to be locked in the ON position at full speed when continuous operation for extended periods of time is required (Fig. 6).

To lock the trigger switch in the ON position, pull back on the trigger switch (2) to start the drill. Continue to squeeze the trigger until the drill reaches its maximum speed. Push the trigger switch lock button (3) into the drill handle. Release the trigger switch while holding the trigger switch lock button into the drill handle. The drill will continue to run at full speed. To release the trigger switch lock button, pull the trigger switch back and then release the trigger.

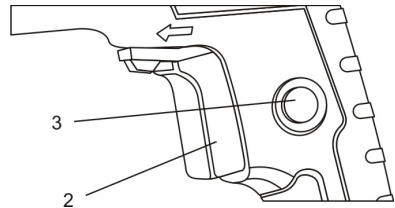


Fig. 6

INSTALLING THE AUXILIARY HANDLE

Install the auxiliary handle (1) for two handed operation of the drill (Fig. 7). This is particularly important for drilling in concrete.

1. Rotate the auxiliary handle counterclockwise to open mounting collar (2).
2. Slide the auxiliary handle collar over the chuck and fully onto the drill housing (3).
3. Rotate the auxiliary handle to a comfortable position.
4. Rotate the auxiliary handle clockwise to tighten the mounting collar onto the drill housing.

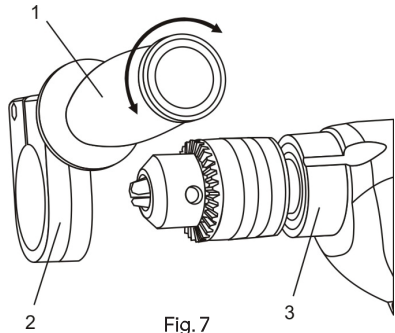


Fig. 7

NOTE: Do not overtighten the auxiliary handle. You will break the mounting collar.

INSTALLING THE DEPTH ROD

The depth rod is used as a gauge to control the depth of the drilled hole.

1. Rotate the auxiliary handle (1) counterclockwise to open the mounting collar (Fig. 8).
2. Insert the hexagonal depth rod (2) into the matching hole in the auxiliary handle mounting collar (3).
3. Position the depth rod so the tip (4) will contact the workpiece when the drill reaches the appropriate depth.

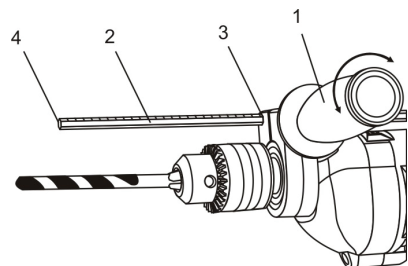


Fig. 8

NOTE: The auxiliary handle must be placed in the horizontal position to allow depth rod to be inserted into the mounting collar. Tighten the auxiliary handle by rotating it clockwise.

ASSEMBLY AND OPERATING

⚠ WARNING: For safety reasons, the operator must read the sections of this Owner's Manual entitled "General safety warnings", "Power tool safety", "Specific safety rules", "Extension cord safety" and "Symbols" before using this drill.

Verify the following every time the drill is used:

1. Safety glasses, safety goggles, or face shield is being worn.
2. Hearing protection and dust mask are being worn when drilling in concrete.
3. The chuck has not worked loose on the spindle.
4. The bit is in good condition, and is properly tightened into the chuck.

Failure to observe these safety rules will significantly increase the risk of injury.

DRILLING

When drilling into smooth, hard surfaces such as metal, use a center punch to mark the desired hole location. This will prevent the drill bit from slipping off center as the hole is started.

The workpiece to be drilled should be secured in a vice or with clamps to keep it from turning as the drill bit rotates (Fig. 9).

1. Check the drill bit to make sure it is firmly locked into the drill chuck, and verify that the forward/reverse switch is in the forward position.
2. Hold the drill firmly with both hands whenever possible. Use one hand to grasp the handle and switch.

NOTE: Make sure the hand placed on the body of the drill does not cover the air vents. Covering these air vents will reduce motor cooling, and possibly lead to overheating the motor.

3. While holding the drill firmly, place the point of the drill bit at the point to be drilled. Squeeze the switch trigger to start the drill.

NOTE: As a general rule, use higher drill speeds when drilling small holes and slower drill speeds when drilling large holes. When drilling in plastic, use lower drill speeds for all drill sizes to prevent melting the plastic.

4. Move the drill bit into the workpiece applying only enough pressure to keep the bit cutting. Do not force the drill bit or apply sideways pressure to elongate the hole.

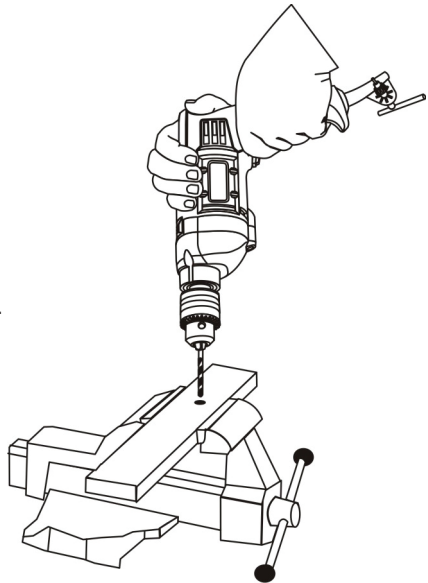


Fig. 9

ASSEMBLY AND OPERATING

DRILLING continued

⚠ WARNING: Be prepared for binding and bit breakthrough. When these situations occur, the drill bit has a tendency to grab the workpiece. This action will kick the drill opposite to the direction of the drill bit rotation, and could cause loss of control when breaking through material as you complete drilling the hole. If you are not prepared, this loss of control can result in serious injury.

When drilling metals, use light oil on the drill bit to keep it from overheating. The oil will prolong the life of the drill bit and improve the cutting action. If the bit jams in the workpiece, or if the drill stalls, release the trigger switch immediately. Remove the bit from the workpiece and determine the reason for jamming.

REMOVING THE CHUCK

To remove the chuck:

1. Remove the drill plug from the power source.
2. Insert a $\frac{5}{16}$ " (8 mm) or larger hex key (1) into the chuck (2) and tighten the chuck jaws securely (Fig. 10). Make sure each of the chuck jaws (3) is seated on the flat surfaces of the hex key.
3. Tap the hex key sharply with a mallet (4) in a clockwise direction. This action will loosen the screw in the chuck for easy removal.
4. Open chuck jaws and remove the hex key.
5. Open the chuck jaws as far as possible.
6. Remove the chuck screw using a #2 (+) screwdriver (Fig. 11).

NOTE: Turn the screw CLOCKWISE to remove it. This screw has a left-handed thread.

7. Insert the hex key into the chuck and tighten jaws of chuck securely (Fig. 12). Tap the hex key sharply with a mallet in a COUNTERCLOCKWISE direction. This will loosen the chuck on the spindle. The chuck can now be unscrewed and removed from the spindle by hand.

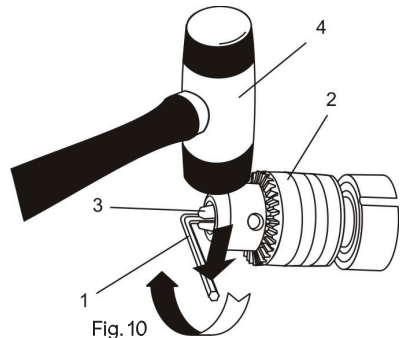


Fig. 10

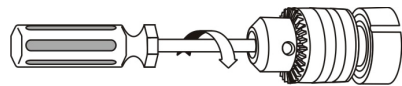


Fig. 11

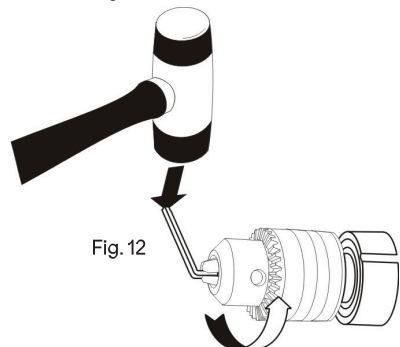


Fig. 12

ASSEMBLY AND OPERATING

RETIGHTENING A LOOSE CHUCK

After installing a chuck that has previously been removed, the chuck may become loose on the spindle and develop a wobble. Also, the chuck screw may become loose, causing the chuck jaws to bind and prevent them from closing. To tighten the chuck, follow these steps:

1. Insert the hex key into the chuck and tighten the chuck securely.
2. Tap the hex key sharply with a mallet in a CLOCKWISE direction (Fig. 13). This will tighten the chuck on the spindle.
3. Open the chuck jaws and remove the hex key.
4. Tighten the chuck screw using a #2 ⊕ screwdriver.

NOTE: Turn the screw COUNTERCLOCKWISE to tighten it. This screw has a left-handed thread.

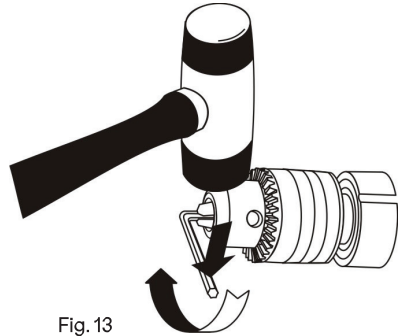


Fig. 13

MAINTENANCE

GENERAL

! WARNING: When servicing, use only identical replacement parts. The use of any other part may create a hazard or cause product damage.

DO NOT use solvents when cleaning plastic parts. Plastics are susceptible to damage from various types of commercial solvents and may be damaged by their use. Use a clean cloth to remove dirt, dust, oil, grease etc.

! WARNING: Do not allow brake fluids, gasoline, petroleum-based products, penetrating oils, etc. to come into contact with plastic parts. They contain chemicals that can damage, weaken or destroy plastic.

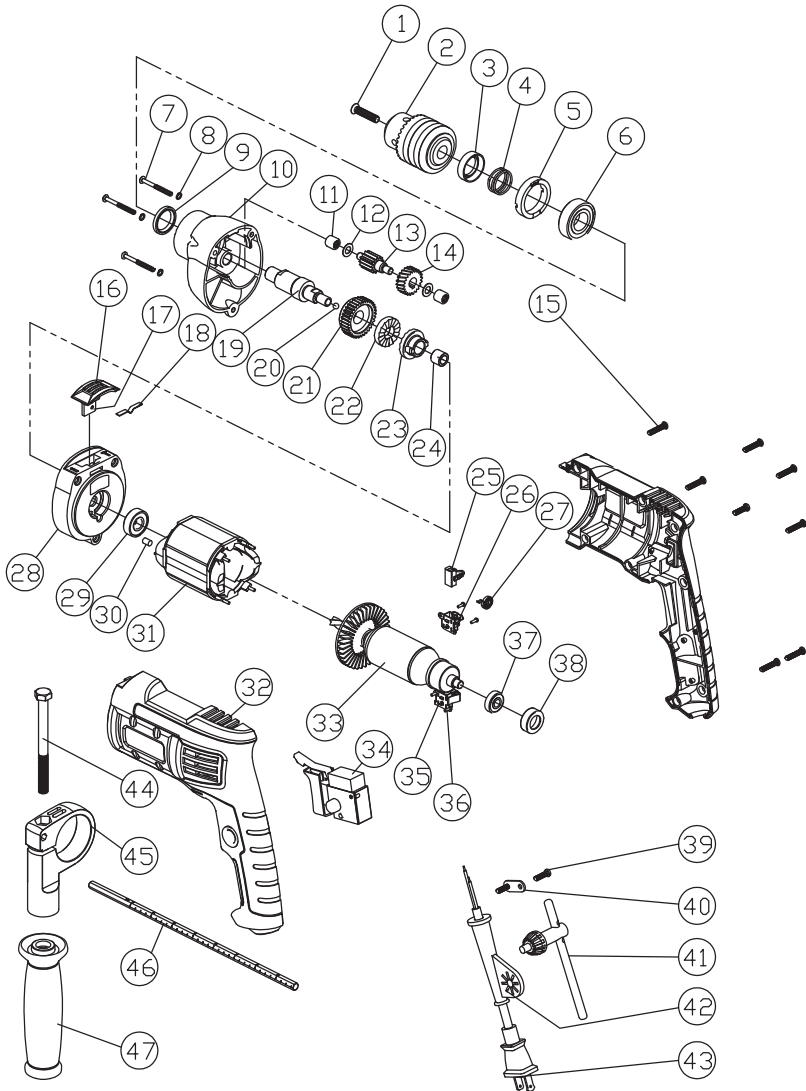
DO NOT abuse power tools. Abusive practices can damage the tool and the workpiece.

! WARNING: DO NOT attempt to modify tools or create accessories. Any such alteration or modification is misuse and could result in a hazardous condition leading to possible serious injury. It will also void the warranty.

LUBRICATION

All of the bearings in this tool are lubricated with a sufficient amount of high-grade lubricant for the life of the unit under normal conditions. Therefore, no further lubrication is required.

EXPLODED VIEW



PARTS LIST

⚠ WARNING: When servicing, use only original equipment replacement parts. The use of any other parts may create a safety hazard or cause damage to the hammer drill.

Any attempt to repair or replace electrical parts on this hammer drill may create a safety hazard unless repairs are performed by a qualified technician. For more information, call the Toll-free Helpline, at 1-866-349-8665 Monday – Friday from 9am to 5pm Eastern Standard Time.

Always order by PART NUMBER, not by key number.

Key #	Part #	Part name	Quantity
1	4020030009	Chuck screw	1
2	1140020010	Chuck	1
3	2030130033	Spring cover	1
4	4020030009	Impact spring	1
5	2020050037	Lock bolt	1
6	4010010107	Bearing 6003RS	1
7	4030010138	Screw ST3,9×35	3
8	4040030002	φ4 Washer	3
9	1270030021	Seal	1
10	2020050038	Gear box	1
11	4010020002	Needle bearing HK0609	2
12	2030020161	Flat washer dia. 6	2
13	2040070005	2nd level small gear	1
14	2040080018	1st level big gear	1
15	4030010106	Screw ST3,9×19	7
16	3120120103	Impact switch button	1
17	2030200005	Impact lever	1
18	2050070054	Leaf spring	1
19	2040040065	Output shaft	1
20	4080080001	Steel ball dia. 6	1
21	2040070007	2nd level big gear	1

PARTS LIST

Key #	Part #	Part name	Quantity
22	2010100025	Impact plate II	1
23	2010100024	Impact plate I	1
24	4010020003	Bearing HK0810	1
25	1230010135	Carbon brush	2
26	2030070050	Brush holder	2
27	2050050044	Helical spring	2
28	2020150060	Middle cover	1
29	4010010050	Bearing 609Z	1
30	3140090015	Buffer	1
31	1020010005	Stator	1
32	3011020004	Housing	1
33	1010010006	Rotor	1
34	1061050001	Switch	1
35	2030070051	Brush holder	1
36	4030010006	Screw ST2X6	4
37	4010010034	Bearing 607Z	1
38	3140040003	Bearing sleeve	1
39	4030010099	Screw ST3,9x14	3
40	2030050002	Cord clamp	1
41	1140020048	Chuck key	1
42	3140010050	Cord guard	1
43	1190030040	Cord set	1
44	4050010009	Hex bolt	1
45	3120070042	Mounting collar	1
46	6210010004	Depth gauge	1
47	3120070010	Auxiliary handle	1

WARRANTY

If this Radley tool fails due to a defect in material or workmanship within one year from the date of purchase, return it to any Home Hardware store with the original bill of sale for exchange. This warranty does not include expendable parts including but not limited to blades, brushes, belts, light bulbs and/or batteries. This warranty covers defects in material or workmanship only. It does not cover normal wear and tear, failure due to abuse/misuse, or defects caused by careless or accidental mishandling. If this Radley product is used for commercial or rental purposes, this warranty does not apply.

7 Amp • 1/2"
Hammer Drill
Variable Speed



Radley[®]

EXCLUSIVE TO HOME HARDWARE

For information on the entire line-up of Radley power tools visit homehardware.ca or your local Home Hardware retail store.

MADE IN CHINA / FABRIQUÉ EN CHINE
HOME HARDWARE STORES LIMITED
ST. JACOBS, ONTARIO N0B 2N0
ORDER ONLINE / COMMANDE EN LIGNE
homehardware.ca

© 07 / 2019 Home Hardware Stores Limited



1240-869