

BENCHMARKTM_{MC}

20V MAX BRUSHLESS 1/2" HAMMER DRILL



5 Year Limited Warranty
3 Year Limited Warranty on Battery and Charger
Battery & charger included where applicable



JD6286C20

**READ ALL INSTRUCTIONS BEFORE FIRST USE.
KEEP THIS MANUAL FOR FUTURE REFERENCE.
KEEP AWAY FROM CHILDREN.**

Maximum initial battery voltage (measured without a load)
is 20 volts. Normal voltage is 18 volts.



**WEAR CSA APPROVED
EYE PROTECTION**



**WEAR EAR
PROTECTION**



**WEAR A
FACE MASK**

PRODUCT SPECIFICATIONS

HAMMER DRILL	
Variable chuck speed	0–600 RPM / 0–2,000 RPM (no load)
Variable hammer speeds	0-7,920/0-29,700 BPM
Torque clutch positions	20 + drill mode + hammer mode
Keyless chuck	½" keyless metal
Max torque	450 in/lbs.
Max drilling capacity in wood	1" (25mm)
Max drilling capacity in metal	½" (13mm)
Weight	3.6lbs. (1.65kg)

BATTERY AND CHARGER	
Battery voltage	20 V Max 2.5Ah Li-ion (Maximum charged battery voltage, measured without load, is 20V with a nominal value of 18V)
Replacement battery	5350-023 (2.5Ah) Charge time – up to 75 minutes
Replacement charger	5350-010 (2.4A)

NEED ASSISTANCE?

Call us on our toll- free customer support line:
1-866-349-8665 (Monday through Friday 9am – 5pm Eastern Standard Time)

- Technical questions
- Replacement parts
- Parts missing from package

TABLE OF CONTENTS

Product Specifications 1

Table of Contents 2

General Safety Warnings 3

General Safety Rules 4

Specific Safety Rules For 20v 2vsr Hammer Drill..... 7

Symbols..... 10

Know your Cordless 20v 2vsr Hammer Drill 11

Assembly and Operating 12

Maintenance 21

Exploded View 22

Parts List 23











Warranty..... 25

GENERAL SAFETY WARNINGS


WARNING:

Before using this tool or any of its accessories, read this manual and follow all Safety Rules and Operating Instructions. The important precautions, safeguards and instructions appearing in this manual are not meant to cover all possible situations. It must be understood that common sense and caution are factors which cannot be built into the product.

EYE, EAR & LUNG PROTECTION

SYMBOL	MEANING
 	<p>ALWAYS WEAR EYE PROTECTION THAT CONFORMS WITH CSA Z94.3 or ANSI SAFETY STANDARD Z87.1</p> <p>FLYING DEBRIS can cause permanent eye damage. Prescription eyeglasses ARE NOT a replacement for proper eye protection.</p> <p>Non-compliant eyewear can cause serious injury if broken during the operation of a power tool.</p>
 	<p>Use hearing protection, particularly during extended periods of operation of the tool, or if the operation is noisy.</p>
 	<p>WEAR A DUST MASK THAT IS DESIGNED TO BE USED WHEN OPERATING A POWER TOOL IN A DUSTY ENVIRONMENT.</p> <p>Dust that is created by power sanding, sawing, grinding, drilling, and other construction activities may contain chemicals that are known to cause cancer, birth defects, or other genetic abnormalities. These chemicals include:</p> <ul style="list-style-type: none"> • Lead from lead-based paints • Crystalline silica from bricks, cement, and other masonry products • Arsenic and chromium from chemically treated lumber. <p>The level of risk from exposure to these chemicals varies, according to how often this type of work is performed. In order to reduce exposure to these chemicals, work in a well-ventilated area, and use approved safety equipment, such as a dust mask that is specifically designed to filter out microscopic particles.</p>
 	<p>To avoid electrical hazards, fire hazards or damage to the tool, use proper circuit protection.</p> <p>This tool is wired at the factory for 120 Volts AC operation. It must be connected to a 120 Volts AC, 15 Amps circuit that is protected by a time-delayed fuse or circuit breaker. To avoid shock or fire, replace power cord immediately if it is worn, cut or damaged in any way.</p>
 	<p>Ventilation openings in batteries and chargers must always be open to allow cooling air to circulate freely. Air vents that are blocked, restricted, or covered may result in the battery or charger overheating. Overheating may lead to damage to the tool or cause a fire, resulting in possible serious injury.</p>

GENERAL SAFETY RULES

 **WARNING:** Read all safety warnings and all instructions. Failure to follow the warnings and instructions may result in electric shock, fire and/or serious injury.

Save all warnings and instructions for future reference.

WORK AREA SAFETY

Keep work area clean and well lit. Cluttered or dark areas invite accidents.

Do not operate power tools in explosive atmospheres, such as in the presence of flammable liquids, gases or dust. Power tools create sparks which may ignite the dust or fumes.

Keep children and bystanders away while operating a power tool. Distractions can cause you to lose control.

ELECTRICAL SAFETY

Power tool plugs must match the outlet. Never modify the plug in any way. Do not use any adapter plugs with earthed (grounded) power tools. Unmodified plugs and matching outlets will reduce risk of electric shock.

Avoid body contact with earthed or grounded surfaces such as pipes, radiators, ranges and refrigerators. There is an increased risk of electric shock if your body is earthed or grounded.

Do not expose power tools to rain or wet conditions. Water entering a power tool will increase the risk of electric shock.

Do not abuse the cord. Never use the cord for carrying, pulling or unplugging the power tool. Keep cord away from heat, oil, sharp edges or moving parts. Damaged or entangled cords increase the risk of electric shock.

When operating a power tool outdoors, use an extension cord suitable for outdoor use. Use of a cord suitable for outdoor use reduces the risk of electric shock.

If operating a power tool in a damp location is unavoidable, use a residual current device (RCD) protected supply. Use of a ground fault circuit interrupter (GFCI) protected supply. Use of a ground fault circuit interrupter (GFCI) reduces the risk of electric shock.

PERSONAL SAFETY

Stay alert, watch what you are doing and use common sense when operating a power tool. Do not use a power tool while you are tired or under the influence of drugs, alcohol, or medication. A moment of inattention while operating power tools may result in serious personal injury.

Use personal protective equipment. Always wear eye protection. Protective equipment such as dust mask, non-skid safety shoes, hard hat, or hearing protection used for appropriate conditions will reduce personal injuries.

Prevent unintentional starting. Ensure the switch is in the off position before connecting to power source and/or battery pack, picking up or carrying the tool. Carrying power tools with your finger on the switch or energizing power tools that have the switch on invites accidents.

Remove any adjusting key or wrench before turning the power tool on.

A wrench or a key left attached to a rotating part of the power tool may result in personal injury.

Do not overreach. Keep proper footing and balance at all times. This enables better control of the power tool in unexpected situations.

Dress properly. Do not wear loose clothing or jewellery. Keep your hair, clothing, and gloves away from moving parts. Loose clothes, jewellery or long hair can be caught in moving parts.

If devices are provided for the connection of dust extraction and collection facilities, ensure these are connected and properly used. Use of dust collection can reduce dust-related hazards.

POWER TOOL USE AND CARE

Do not force the power tool. Use the correct power tool for your application.

The correct power tool will do the job better and safer at the rate for which it was designed.

Do not use the power tool if the switch does not turn it on and off. Any power tool that cannot be controlled with the switch is dangerous and must be repaired.

Disconnect the plug from the power source and/or the battery pack from the power tool before making any adjustments, changing accessories, or storing power tools. Such preventive safety measures reduce the risk of starting the power tool accidentally.

Store idle power tools out of the reach of children and do not allow persons unfamiliar with the power tool or these instructions to operate the power tool. Power tools are dangerous in the hands of untrained users.

Maintain power tools. Check for misalignment or binding of moving parts, breakage of parts and any other condition that may affect the power tool's operation. If damaged, have the power tool repaired before use. Many accidents are caused by poorly maintained power tools.

Keep cutting tools sharp and clean. Properly maintained cutting tools with sharp cutting edges are less likely to bind and are easier to control.

Use the power tool, accessories, and tool bits etc. in accordance with these instructions, taking into account the working conditions and the work to be performed. Use of the power tool for operations different from those intended could result in a hazardous situation.

Hold power tools by insulated gripping surfaces when performing an operation where cutting tool may contact hidden wiring or its own cord. Contact with a "live" wire will make exposed metal parts of the tool "live" and shock the operator.

Hold power tool by insulated gripping surfaces, when performing an operation where the fastener may contact hidden wiring or its own cord. Fasteners contacting a "live" wire may make exposed metal parts of the power tool "live" and could give the operator an electric shock.

BATTERY TOOL USE AND CARE

Recharge only with the charger specified by the manufacturer. A charger that is suitable for one type of battery pack may create a risk of fire when used with another battery pack.

Use power tools only with specifically designated battery packs.

Use of any other battery packs may create a risk of injury and fire.

When battery pack is not in use, keep it away from other metal objects, like paper clips, coins, keys, nails, screws, or other small metal objects that can make a connection from one terminal to another. Shorting the battery terminals together may cause burns or a fire.

Under abusive conditions, liquid may be ejected from the battery; avoid contact. If contact accidentally occurs, flush with water. If liquid contacts eyes, additionally seek medical help. Liquid ejected from the battery may cause irritation or burns.

SERVICE

Have your power tool serviced by a qualified repair person using only identical replacement parts. This will ensure that the safety of the power tool is maintained.

SPECIFIC SAFETY RULES

⚠️ WARNING: Know your cordless hammer drill. Do not plug in the charger or install the battery in the tool until you have read and understand this Instruction Manual. Learn the tool's applications and limitations, as well as the specific potential hazards related to this tool. Following this rule will reduce the risk of electric shock, fire, or serious injury.



Always wear eye protection. Any power tool can throw foreign objects into your eyes and cause permanent eye damage. ALWAYS wear safety goggles (not glasses) that comply with ANSI safety standard Z87.1. Everyday glasses have only impact resistant lenses. They ARE NOT safety glasses.

⚠️ WARNING: Glasses or goggles not in compliance with ANSI Z87.1 could cause serious injury when they break.

⚠️ WARNING: Always use a safety shield, hearing protection and dust mask when drilling concrete.

⚠️ WARNING: To avoid fire or toxic reaction, never use gasoline, naphtha, acetone, lacquer thinner or similar highly volatile solvents to clean the tool.

⚠️ WARNING: Use only accessories that are recommended for this cordless drill. Follow the instructions that accompany the accessories. The use of improper accessories may result in injury to the operator or damage to the tool.

⚠️ WARNING: If any part is missing or damaged, do not plug the tool into the power source or install any accessory until the missing or damaged part is replaced.

Do not drill material too small to be securely held.

Always keep hands out of the path of the drill bit. Avoid awkward hand positions where a sudden slip could cause your hand to move into the path of the drill bit.

Secure the workpiece. Use clamps or a vice to hold the workpiece. It is safer than using your hand and it frees both hands to operate the tool.

Make sure there are no nails or foreign objects in the part of the workpiece to be drilled.

To avoid injury from accidental starting, always remove the battery from the tool before installing or removing a drill bit.

Do not install or use any drill bit that exceeds 7" (17.5 cm) in length or extends more than 6" (15 cm) beyond the chuck jaws. They can bend or break suddenly.

Before starting the operation, jog the drill switch to make sure the drill bit does not wobble or vibrate.

Do not use fly cutters or multiple-part hole cutters, because they can come apart or become unbalanced during use.

Make sure the spindle has come to a complete stop before touching the chuck or attempting to change the drill bit.

Always make sure the chuck is tight and the drill bit firmly tightened in the chuck before starting drill.

BATTERY & CHARGER SAFETY

⚠️ WARNING: Only use the charger supplied with this kit to charge the 20V Li-ion batteries for this tool. Charging any other batteries may damage the charger and possibly cause serious injury.

Do not store or carry the battery in a manner in which metal objects could contact the exposed metal end. Do not place the battery in aprons, pockets, drawers, etc. with loose nails, screws, keys etc. The battery could short circuit causing a fire, personal injury, or damage to the battery.

Never attempt to open the battery for any reason. If the housing of the battery breaks or cracks, immediately discontinue use and do not recharge.

Do not charge the battery if it is wet or shows any evidence of corrosion.

A small leakage from the battery may occur under extreme usage, charging or temperature conditions. This does not indicate a failure. However, if the outer seal is broken and this leakage gets on your skin, follow these steps:

1. Wash immediately with soap and water.
2. Neutralize with a mild acid such as lemon juice or vinegar.
3. If liquid gets into your eyes, flush immediately with clean water for a minimum of 10 minutes and seek medical attention.

NOTE: The battery liquid is slightly acidic.

Do not incinerate the battery. It can explode in a fire.

Do not use an extension cord. Plug the charger cord directly into an electrical outlet.

Use the charger only in a standard 120V, 60 Hz electrical outlet.

Do not use the charger in wet or damp conditions. It is intended for indoor use only. Do not use the charger near sinks or tubs. Do not immerse the charger in water.

Do not allow the cord to hang over the edge of a table or counter or touch hot surfaces.

The charger should be placed away from sinks and hot surfaces.

Do not use the charger to charge any batteries other than the cordless drill batteries. Other batteries may explode.

Do not allow the cord to hang over the edge of a table or counter or touch hot surfaces. The charger should be placed away from sinks and hot surfaces.

Do not operate charger if the cord or plug is damaged. Replace the damaged cord and plug immediately.

Do not operate the charger if it has received a sharp blow, been dropped or otherwise damaged in any way. Have a qualified technician examine the charger and repair it if necessary. Do not disassemble the charger.

Do NOT charge the batteries when the work area or the battery temperature is at or below 5° C (41° F) or above 40.5° C (105° F).

Unplug the charger when not in use and before cleaning or maintenance.

BATTERY PACK RECYCLING



To preserve our natural resources, please recycle or dispose of batteries properly. The batteries charged by this charger may contain chemicals and metals that are harmful to the environment. Never dispose of rechargeable batteries in your normal household garbage or in landfill sites as they will add to the pollution of the environment.

SYMBOLS

⚠️ WARNING: Some of the following symbols may appear on the drill. Study these symbols and learn their meaning. Proper interpretation of these symbols will allow for more efficient and safer operation of this tool.

V	Volts	$3\tilde{n}$	Three-phase alternating current with neutral
A	Amperes		Read all documentation
Hz	Hertz	$\equiv - \equiv$	Direct current
W	Watts	n_0	No load speed
kW	Kilowatts		Alternating or direct current
μF	Microfarads		Class II Construction
L	Litres		Splash-proof construction
kg	Kilograms		Watertight construction
H	Hours		Protective grounding at terminal, Class I tools
N/cm ²	Newtons per square centimetre	.../min	Revolutions or reciprocations per minute
Pa	Pascals	\emptyset	Diameter
OPM	Oscillation per minute	0	Off position
Min	Minutes		Directional Arrow
S	Seconds		Warning symbol
\sim or AC	Alternating current		Wear eye protection
$3\tilde{n}$	Three-phase alternating current		Wear hearing protection



JD6286C20

This symbol designates that this tool is listed with Canadian and U.S. requirements by ETL Testing Laboratories, Inc. Conforms to UL Std. UL 60745-1 and 60745-2-1 60745-2-2. Certified to CAN/CSA Std. C22.2 No. 60745-1 and 60745-2-1 60745-2-2.

KNOW YOUR BENCHMARK 20V MAX BRUSHLESS 2VSR HAMMER DRILL



Battery Charger
5350-010



ASSEMBLY AND OPERATION

CHECKING THE BATTERY CHARGE STATUS

The level of charge remaining in the battery can be checked by using the battery LED power indicator that is contained on the end of the battery.

NOTE: The battery charge remaining may be checked while the battery is installed in the tool with the ON/OFF switch turned OFF. It may also be checked while the battery is removed from the tool. **DO NOT** check the battery charge remaining while the battery is in the charger. You will get a false reading and you may also damage the battery status system.

1. Press and hold the battery status button located on the end of the battery.
2. One or more of the Four LED lights in the LED window will come ON to indicate the amount of charge that is remaining in the battery as follows:

Charge Level Indicator						
Amount of Charge Remaining	0 - 10%	10 - 25%	25 - 50%	50 - 75%	75 - 100%	

3. Release the battery status button to turn the LEDs OFF.

CHARGING THE BATTERY PACK

1. Place the battery charger (1) in a dry location near a 110–120V 60 Hz
2. Plug the battery charger into the outlet and make sure the green LED indicator light (5) comes ON. If it does not, refer to the chart (Fig. 2) to identify the problem.
3. Turn the battery (2) upside down and slide it onto the charger.

NOTE: Make sure the grooves (3) in the sides of the battery slide over the matching tabs on the charger (4) until the battery latch “clicks” into place.

NOTES:

1. When the charger is plugged into the wall receptacle and NO battery is on the charger, the green indicator light (5) will turn ON indicating the charger is “live”.
2. When a discharged battery is installed on the charger, the green indicator light will turn OFF and the red indicator light (6) will turn ON. The red indicator light indicates the battery is being charged.
3. If the red indicator light does not come ON, check to make sure battery pack is slid fully onto the charger and the electrical outlet is working properly.
4. See Fig. 2 below for other indicator light functions.
5. A discharged battery pack should be fully charged in approximately 2 hrs.
6. It is normal for the battery charger to hum and be warm to the touch during operation.
7. If the battery pack does not charge properly, check to make sure the electrical outlet is “live”.
8. Do NOT charge batteries when the work area or the battery temperature is at or below 5°C / 41°F or above 40.5°C / 105°F.



Fig. 1

GREEN LIGHT	RED LIGHT	BATTERY INSERTED INTO CHARGER	CHARGING STATUS
ON	OFF	NO	Charger connected to power supply
OFF	Blink	YES	Battery being charged
ON	OFF	YES	Battery fully charged
OFF	ON	YES	Battery is charged but not operational on tool. This may indicate defective / bad contact on battery.
ON	ON	YES	Charging conditions are either too hot or too cold

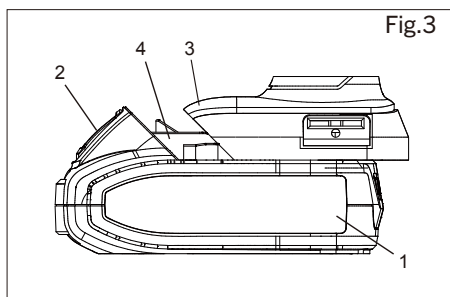
Fig. 2

INSTALLING A BATTERY ON THE HAMMER DRILL

1. Remove the discharged battery (1) from the drill by pressing downward on the battery release button (2) and sliding the battery backward until it is removed from the drill handle (3) (Fig. 3).
2. Slide the fully charged battery onto the matching keys (4) in the drill handle where the discharged battery has been removed.

NOTE: Make sure the slots in the battery are fully engaged with the mounting keys in the drill handle. The battery release button will “click” into place when the battery is fully installed.

⚠ WARNING: Do not immerse the battery pack in water. Sudden cooling could cause a hot battery to explode or leak.



ADJUSTING THE TORQUE

Your drill is equipped with an adjustable torque clutch for driving different types of screws into different types of materials. It also has a setting for “drilling” and “hammer drilling”.

The proper setting depends upon the type of material, the size of screw being used, and the function required.

Adjust the torque setting as follows:

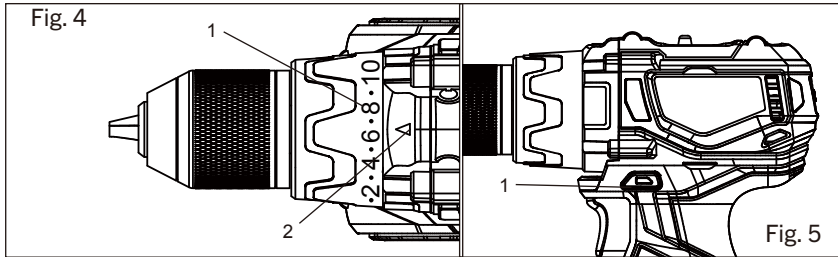
1. Identify the torque settings located on the torque adjustment ring (1) (Fig. 4).
2. Rotate adjustment ring to align the correct torque setting number with the torque indicator arrow (2). See the chart below for the correct torque settings.
 - 1–4 For driving small screws.
 - 5–8 For driving medium sized screws into soft materials.
 - 9–14 For driving screws into soft & medium-density materials.
 - 15–20 For driving screws into hardwood, and for driving larger screws.
 - For drilling. This position is marked with a drill bit icon on the torque adjustment ring.
 - Use the highest setting indicated by the hammer icon for hammer mode on the torque adjustment ring.

FORWARD/REVERSE SWITCH

The forward/reverse switch (1) is conveniently mounted above the trigger switch (2) (Fig. 5). To make the drill rotate clockwise (for drilling) push the forward/reverse switch to the left. To make the drill rotate counter clockwise for removing screws, push the forward/reverse switch to the right.

NOTES:

- a) Never change the position of the forward/reverse switch while the chuck is turning.
- b) The trigger switch will NOT function with the forward/reverse switch in the middle position.



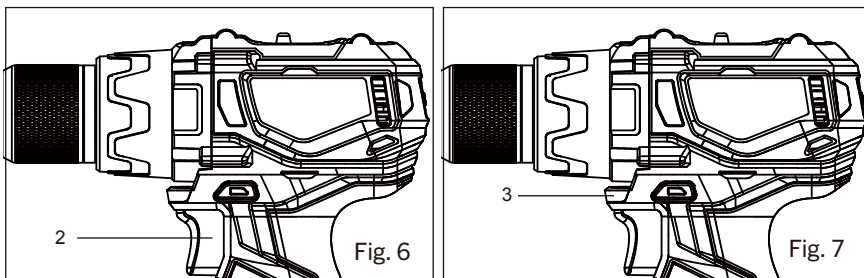
VARIABLE-SPEED TRIGGER SWITCH

This drill is equipped with a variable-speed ON/OFF trigger switch.

1. To start drill, gently squeeze the trigger switch (2) (Fig. 6).

NOTE: The drill will turn at its slowest speed when the trigger switch is depressed slightly. The drill will turn at its fastest speed when the trigger switch is fully depressed.

2. To stop the drill, release the trigger switch.



NOTE: Drilling at a slow speed for an extended period of time may cause the drill motor or the battery pack to overheat. If either the drill or the battery gets hot, stop drilling and allow them to cool for at least 15 minutes.

LED WORK LIGHT

The LED work light (3) will automatically turn ON when the trigger switch is squeezed (Fig. 7). It will automatically turn OFF when the trigger switch is released.

NOTE: The LED light has a 20 second time delay.

TWO-SPEED GEAR BOX SWITCH

The two-speed gear box switch is located on the top of the drill housing. Set the speed-control switch to the desired speed before starting the drill. Slide the speed-control switch FORWARD.

(Fig. 8a) for low-speed operation. Slide the speed control-switch BACK (Fig. 8b) for high-speed operation.

NOTES:

- Use low-speed setting for drilling large holes and for driving screws.
- Use high-speed setting for drilling smaller holes.
- Do NOT change the speed-control switch position while drill is turned ON. Damage to the gears may result.

INSTALLING DRILL BITS

⚠ WARNING: Never hold the chuck body with one hand and use the drill power to rotate the drill body to loosen or tighten bits. Serious injury may result.

This drill is equipped with a keyless chuck.

- To open the keyless drill chuck, grasp and hold the chuck (1) with one hand (Fig. 9), and rotate in a counterclockwise direction until the chuck jaws (2) open wide enough to accept the bit (3).
- Insert the bit into the chuck the full length of the jaws. Raise the front of your drill slightly to prevent the bit from falling out of the chuck jaws.
- Tighten the chuck jaws onto the bit by turning the chuck body in a clockwise direction.

NOTE: Make sure the bit is properly aligned in the jaws and NOT at an angle. An improperly aligned bit could be thrown from the chuck when drill is started. Make sure flat sides of the screwdriver bit are being grasped by the chuck jaws.

- Finish tightening the chuck jaws by holding the chuck collar with one hand and firmly tightening the chuck body by rotating it in a clockwise direction.

NOTE: Hand tighten the chuck jaws. Do NOT use pliers. You will damage the chuck.

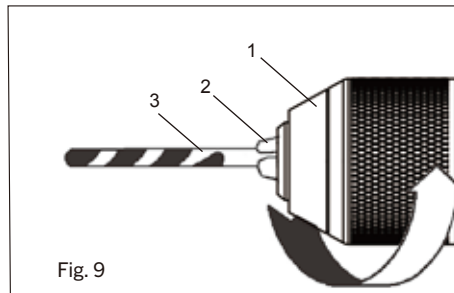
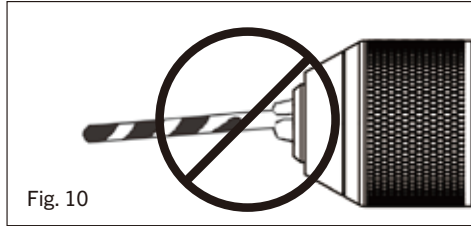


Fig. 9

⚠ WARNING: Do not insert the drill bit into the chuck and tighten as shown in Fig. 10. The drill bit MUST be properly inserted with all three of the chuck jaws holding the bit centered in the chuck. Failure to properly insert the drill bit could cause the drill bit to be thrown from the chuck, resulting in possible serious injury or damage to the chuck.



REMOVING BITS

1. To open the keyless drill chuck, grasp and hold the chuck body and rotate it in a counterclockwise direction until the chuck jaws open wide enough to release the bit.
2. Remove the drill bit.

⚠ WARNING: For safety reasons, the operator must read the sections of this Owner's Manual entitled "GENERAL SAFETY WARNINGS", "POWER TOOL SAFETY", "SPECIFIC SAFETY RULES", "BATTERY & CHARGER SAFETY" and "SYMBOLS" before using this cordless drill.

Verify the following every time the cordless drill is used:

1. Safety glasses, safety goggles, or face shield is being worn.
2. Hearing protection is being worn.
3. The chuck has not worked loose on the spindle.
4. The bit is in good condition and is properly tightened onto the chuck.

Failure to observe these safety rules will significantly increase the risk of injury.

DRILLING

When drilling into smooth, hard surfaces such as metal, use a center punch to mark the desired hole location. This will prevent the drill bit from slipping off center as the hole is started.

The workpiece to be drilled should be secured in a vice or with clamps to keep it from turning as the drill bit rotates (Fig. 11).

1. Check the drill bit to make sure it is firmly locked into the drill chuck and verify that the forward/reverse switch is in the forward position.
2. Set the torque clutch to the drilling position.
3. Hold the drill firmly with both hands whenever possible. Use one hand to grasp the handle and switch.

NOTE: Make sure the hand placed on the body of the drill does not cover the air vents. Covering these air vents will reduce motor cooling, and possibly lead to overheating the motor.

4. While holding the drill firmly, place the point of the drill bit at the point to be drilled. Squeeze the switch trigger to start the drill.

NOTES: Always use a higher drill speed when drilling small holes. Use a slower drill speed when drilling large holes.

5. Move the drill bit into the workpiece applying only enough pressure to keep the bit cutting. Do not force the drill bit or apply sideways pressure to elongate the hole.

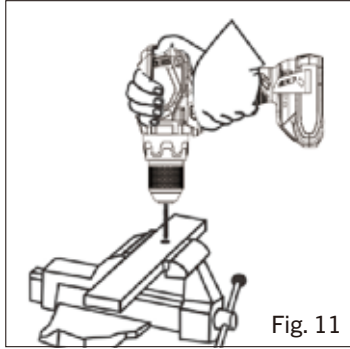


Fig. 11

⚠ WARNING: Be prepared for binding and bit breakthrough. When these situations occur, the drill bit has a tendency to grab the workpiece. This action will kick the drill opposite to the direction of the drill bit rotation and could cause loss of control when breaking through material as you complete drilling the hole. If you are not prepared, this loss of control can result in serious injury.

When drilling metals, use light oil on the drill bit to keep it from overheating. The oil will prolong the life of the drill bit and improve the cutting action. If the bit jams in the workpiece, or if the drill stalls, release the trigger switch immediately. Remove the bit from the workpiece and determine the reason for jamming.

DRIVING SCREWS

When driving screws, care must be taken to use the bit that correctly fits the screw being driven. Make sure you use the largest bit size that will properly fit into the head of the screw.

1. Select the correct screwdriver bit for the screw being driven.
2. Fasten the screwdriver bit into the chuck, making sure the flat sides of the bit are gripped by the chuck jaws.
3. Set the torque clutch to the appropriate setting.

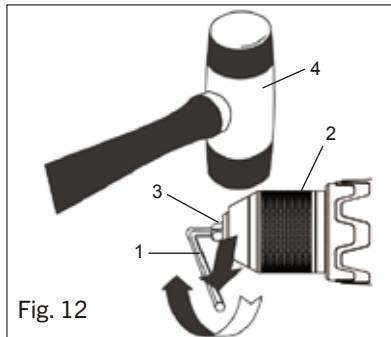
NOTE: If the workpiece material is particularly soft or porous, set the torque clutch to a lower setting to avoid overdriving the screw.

4. If the screw is driven too far into the workpiece before the clutch releases, set the clutch to a lower setting, and do not pull the trigger switch fully back. If the screw is not driven far enough into the workpiece, set the clutch to a higher setting.

NOTE: Do not continue to drive the screw once the clutch has released. This causes unnecessary wear of the clutch.

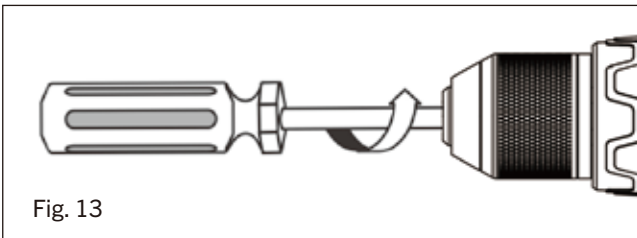
REMOVING THE CHUCK

1. Remove the battery pack from the drill.
2. Insert a 5/16" (8 mm) or larger hex key (1) into the chuck (2) and tighten the chuck jaws securely (Fig. 12). Make sure each of the chuck jaws (3) is seated on the flat surfaces of the hex key.
3. Tap the hex key sharply with a mallet (4) in a CLOCKWISE direction. This action will loosen the screw in the chuck for easy removal.
4. Open chuck jaws and remove the hex key.



5. Open the chuck jaws as far as possible.
6. Remove the chuck screw using a #2 ⊕ screwdriver (Fig. 13).


NOTE: Turn the screw CLOCKWISE to remove it. This screw has a left-handed thread.

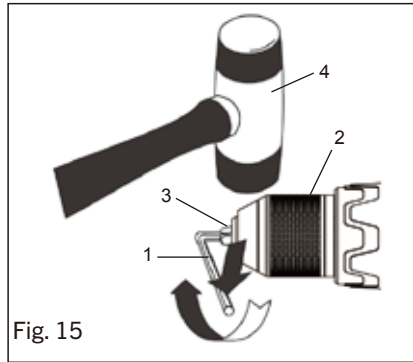
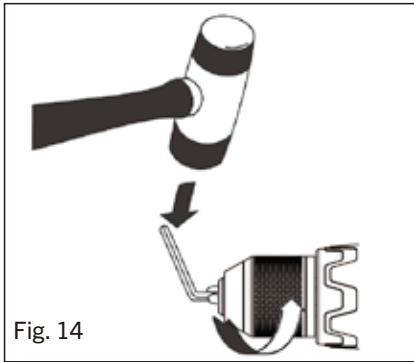


7. Insert the hex key into the chuck and tighten jaws of chuck securely (Fig. 14). Tap the hex key sharply with a mallet in a COUNTER-CLOCKWISE direction. This will loosen the chuck on the spindle. The chuck can now be unscrewed and removed from the spindle by hand.

RETIGHTENING A LOOSE CHUCK

1. Remove the battery pack from the drill.
2. Insert a 5/16" (8 mm) or larger hex key (1) into the chuck (2) and tighten the chuck jaws securely (Fig. 15). Make sure each of the chuck jaws (3) is seated on the flat surfaces of the hex key.


3. Tap the hex key sharply with a mallet (4) in a CLOCKWISE direction. This action will loosen the screw in the chuck for easy removal.
4. Open the chuck jaws and remove the hex key.
5. Tighten the chuck screw using a #2  screwdriver (Fig. 13).




NOTE: Turn the screw COUNTER-CLOCKWISE to tighten it. This screw has a left-handed thread.

MAINTENANCE


GENERAL

 **WARNING:** When servicing, use only identical replacement parts. The use of any other part may create a hazard or cause product damage.

DO NOT use solvents when cleaning plastic parts. Plastics are susceptible to damage from various types of commercial solvents and may be damaged by their use. Use a clean cloth to remove dirt, dust, oil, grease, etc.

 **WARNING:** Do not allow brake fluids, gasoline, petroleum-based products, penetrating oils, etc. to come into contact with plastic parts. They contain chemicals that can damage, weaken or destroy plastic.

DO NOT abuse power tools. Abusive practices can damage the tool and the workpiece.

 **WARNING:** DO NOT attempt to modify tools or create accessories. Any such alteration or modification is misuse and could result in a hazardous condition leading to possible serious injury. It will also void the warranty.

LUBRICATION


All of the bearings in this tool are lubricated with a sufficient amount of high-grade lubricant for the life of the unit under normal conditions. Therefore, no further lubrication is required.

BATTERY PACK REMOVAL AND PREPARATION FOR RECYCLING

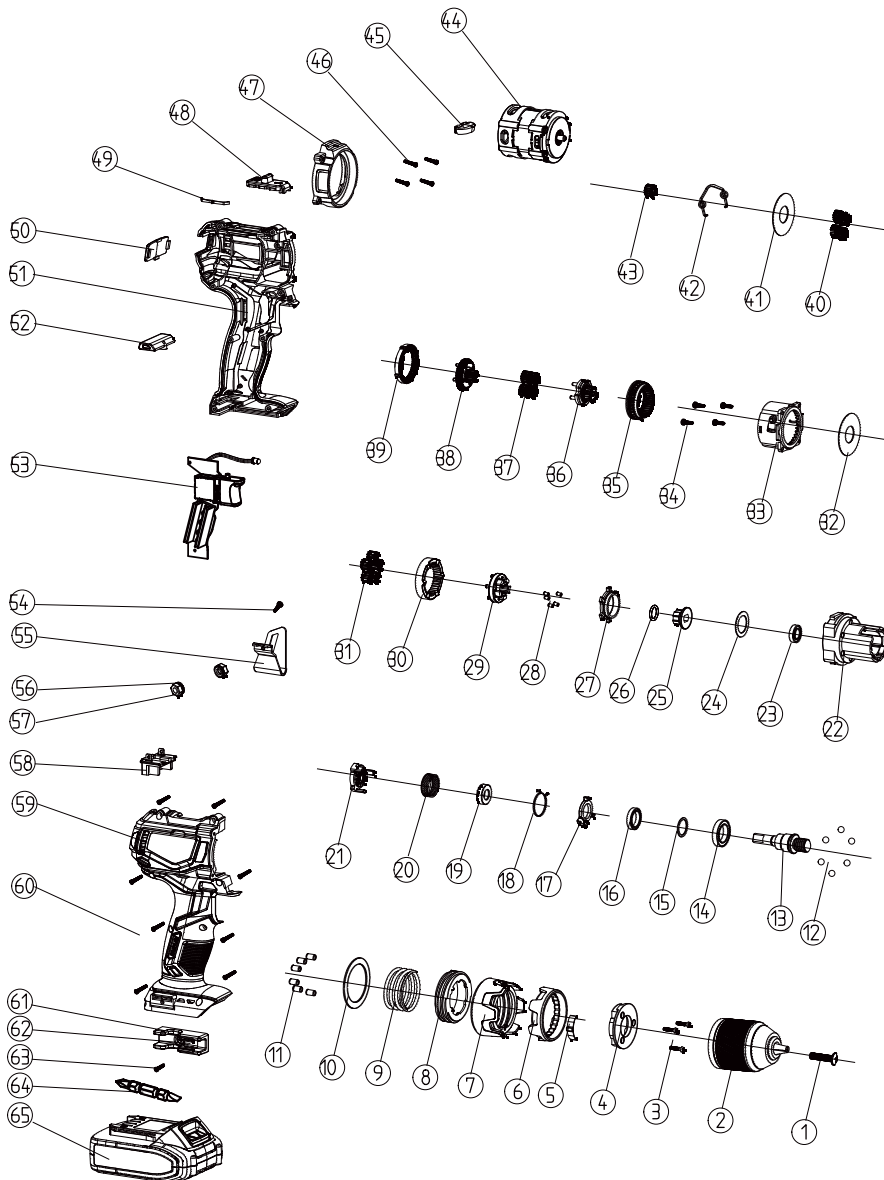
To preserve our natural resources, please recycle or dispose of batteries properly.

The batteries accompanying this tool may contain chemicals and metals that are harmful to the environment. Never dispose of rechargeable batteries in your normal household garbage or in landfill sites, because they will add to the pollution of the environment.

Consult your local waste authority for information regarding available recycling and disposal options.

 **WARNING:** Upon removal of the battery pack, cover the terminals of the battery pack with electrical tape or heavy-duty tape. Never touch both terminals with metal objects or parts, because a short circuit may result. Keep away from children. Do not attempt to destroy or disassemble battery pack or remove any of its components. Rechargeable batteries must be recycled or disposed of properly.

EXPLODED VIEW



PARTS LIST

⚠ WARNING: When servicing, use only original equipment replacement parts. The use of any other parts may create a safety hazard or cause damage to the drill. Any attempt to repair or replace electrical parts on this drill may create a safety hazard unless repairs are performed by a qualified technician. For more information, call the Toll-free Helpline, at 1-866-349-8665; Monday - Friday: 9am to 5pm EST.

Always order by key number.

Key #	Part #	Part Name	Quantity
1	4020030020	Chuck screw	1
2	1140050026	Chuck	1
3	4030010130	Tapping screw	3
4	2020210010	Compressing plate	1
5	2050070063	Positioning spring	1
6	3110010237	Decoration plate	1
7	3120080135	Torque setting ring	1
8	3150190181	Inner threaded ring	1
9	2050060217	Spring	1
10	2030020317	Washer	2
11	4110040014	Needle roller	6
12	4080060001	Needle roller	6
13	2040050152	Shaft	1
14	4010010135	Axletree	1
15	2030020319	Washer	1
16	4010010002	Axletree	1
17	2010150049	Impact bracket	1
18	2050050050	Spring	1
19	2010100031	Upper Impact Block	1
20	2050060224	Spring	1
21	2010100032	Lower Impact Block	1
22	3150070091	Gear box	1
23	4010010137	Axletree	1
24	2030020214	Washer	1
25	2010230012	Driving block	1
26	3140060071	O ring	1
27	2040310058	Shaft lock ring	1
28	4110020037	Needle roller	5
29	1170070086	Planetary carrier	1

Key #	Part #	Part Name	Quantity
30	2010090077	Gearing ring	1
31	2010010122	Planetary gear	4
32	2030020023	Washer	1
33	3150080024	H/L speed switch box	1
34	4030010003	Tapping screw	4
35	2010090076	Moveable ring gear	1
36	1170070093	Planetary carrier	1
37	2010010120	Planetary gear	4
38	1170070085	Planetary carrier	1
39	2010090075	Fixed ring gear	1
40	2010010121	Planetary gear	4
41	2030020242	Washer	1
42	2050080180	2-speed lever	1
43	2010010119	Motor Gear	1
44	1030300014	Brushless motor	1
45	3160060085	lens	1
46	4030010253	Tapping screw	4
47	3110010237	Decoration plate	1
48	3120120142	Speed selector button	1
49	2050070002	Lever	1
50	3110010235	The tail of high	1
51	3010010194	Left housing	1
52	3120030133	FWD/REV lever	1
53	1130030106	control circuit board	1
54	4020010168	Tapping screw	1
55	2030100070	Belt buckle	1
56	4040080003	Lock washer	2
57	4060010039	Hexagon nut	2
58	3150170016	Contact plate	1
59	3010010194	Right housing	1
60	4030010253	Tapping screw	7
61	3150200008	bit shelf	1
62	2030090039	bit clip	1
63	4020010168	Tapping screw	1
64	6200070001	bit	1
65	1290090019	Battery Pack	1

WARRANTY

BENCHMARK WARRANTY FOR 20V 2VSR MAX DRILL

If this Benchmark tool fails due to a defect in material or workmanship within five years from the date of purchase, return it to any Home Hardware store with the original bill of sale for exchange. Three year warranty for the battery and charger. This warranty does not include expendable parts including but not limited to blades, brushes, belts, light bulbs.

This warranty covers defects in material or workmanship only. It does not cover normal wear and tear, failure due to abuse/misuse, or defects caused by careless or accidental mishandling. If this Benchmark product is used for commercial or rental purposes, this warranty does not apply.

20V MAX BRUSHLESS 1/2" HAMMER DRILL

1239-101

20V MAX BRUSHLESS 1/2" HAMMER DRILL



5 Year Limited Warranty

3 Year Limited Warranty on Battery and Charger

BENCHMARK™
MC

BENCHMARK TOOLS CANADA

ST. JACOBS, ONTARIO N0B 2N0

© 01 / 2021 Home Hardware Stores Limited

CUSTOMER SERVICE/TECH SUPPORT

1-866-349-8665

1239-101

Made in China



* This Benchmark™ product carries a five (5) year LIMITED warranty against defects in workmanship and materials. The charger and batteries carry a three (3) year LIMITED warranty. See Owner's Manual for full details.



JD6286C20

**READ ALL INSTRUCTIONS BEFORE FIRST USE.
KEEP THIS MANUAL FOR FUTURE REFERENCE.
KEEP AWAY FROM CHILDREN.**

Maximum initial battery voltage (measured without a load)
is 20 volts. Normal voltage is 18 volts.



**WEAR CSA APPROVED
EYE PROTECTION**



**WEAR EAR
PROTECTION**



**WEAR A
FACE MASK**

BENCHMARKTM MC

20V MAX BRUSHLESS 1/4" IMPACT DRIVER



5 Year Limited Warranty
3 Year Limited Warranty on Battery and Charger
Battery & charger included where applicable



Intertek
3042597
JD509620

**READ ALL INSTRUCTIONS BEFORE FIRST USE.
KEEP THIS MANUAL FOR FUTURE REFERENCE.
KEEP AWAY FROM CHILDREN.**

Maximum initial battery voltage (measured without a load)
is 20 volts. Nominal voltage is 18 volts.



**WEAR CSA APPROVED
EYE PROTECTION**



**WEAR EAR
PROTECTION**



**WEAR A
FACE MASK**

PRODUCT SPECIFICATIONS

20V MAX BRUSHLESS 2VSR DRILL	
2 Variable Speeds	0–2,400 / 0-2600 RPM (no load)
2 Variable Impact Speed	0–2,700/ 0-3,000 BPM
Torque	1,800 in/lbs (158 Nm) maximum
Hex drive	Quick release 1/4" (6.35 mm)
Weight	3.5lbs (1.57kg)
Battery	20V 2.5Ah Max* Li-ion (Maximum charged battery voltage, measured without load, is 20V with a nominal value of 18V)
Replacement Battery	5350-023 (2.5Ah)
Replacement Charger Assembly	5350-010 (2.4A) up to 75minutes charge time

NEED ASSISTANCE?

Call us on our toll-free customer support line:
1-866-349-8665 (Monday through Friday 9am – 5pm Eastern Standard Time)

- Technical questions
- Replacement parts
- Parts missing from package





TABLE OF CONTENTS

Product Specifications	1
Table of Contents	2
General Safety Instructions	3
Eye, Ear & Lung Protection	3
Electrical Safety	4
Power Tool Safety	4
Work Area Safety	4
Electrical Safety	4
Personal Safety	5
Power Tool Use and Care	5
Battery Tool Use and Care	6
Service	6
Specific Safety Rules	6
Battery & Charger Safety	8
Battery Pack Recycling	9
Symbols	10
Know Your 20V Max Brushless 2 vs Impact Driver	11
Assembly and Operation	12
Checking the Battery Charge Status	12
Checking the Battery Pack	12
Installing a Battery in the Impact Driver	13
Installing Screwdriver Bits and Sockets	14
Forward/Reverse Switch.....	15
Variable-Speed Trigger Switch.....	15
Speed And Auto-Stop Control	16
LED Work Light	16
Preparing Screw Holes	16
Driving Screws.....	17
Installing Nut Drivers For 3/16" To 3/8" Nuts	18
Installing Impact Sockets For 7/16" to 3/4" Nuts	18
Removing Nuts	19
Maintenance	20
General	20
Lubrication	20
Lithium-ion Battery Performance	20
Lithium-ion Battery Maintenance	20
Battery Pack Removal and Preparation for Recycling.....	21
Exploded View	22
Parts List	23
Warranty	24

GENERAL SAFETY INSTRUCTIONS

⚠️ WARNING: Before using this tool or any of its accessories, read this manual and follow all Safety Rules and Operating Instructions. The important precautions, safeguards and instructions appearing in this manual are not meant to cover all possible situations. It must be understood that common sense and caution are factors which cannot be built into the product.

EYE, EAR & LUNG PROTECTION

SYMBOL	MEANING
<p data-bbox="114 511 288 544">⚠️ DANGER</p> 	<p data-bbox="317 522 946 565">ALWAYS WEAR EYE PROTECTION THAT CONFORMS WITH CSA Z94.3 or ANSI SAFETY STANDARD Z87.1</p> <p data-bbox="317 566 920 691">FLYING DEBRIS can cause permanent eye damage. Prescription eyeglasses ARE NOT a replacement for proper eye protection. The usage of a safety standard compliant face shield placed over proper safety glasses or goggles can reduce the risk of facial injury. Non-compliant eyewear can cause serious injury if broken during the operation of a power tool.</p>
<p data-bbox="114 722 288 755">⚠️ WARNING</p> 	<p data-bbox="317 758 907 800">Use hearing protection, particularly during extended periods of operation of the tool, or if the operation is noisy.</p>
<p data-bbox="114 852 288 885">⚠️ WARNING</p> 	<p data-bbox="317 852 734 912">WEAR A DUST MASK THAT IS DESIGNED TO BE USED WHEN OPERATING A POWER TOOL IN A DUSTY ENVIRONMENT.</p> <p data-bbox="317 914 918 976">Dust that is created by power sanding, sawing, grinding, drilling, and other construction activities may contain chemicals that are known to cause cancer, birth defects, or other genetic abnormalities. These chemicals include:</p> <ul data-bbox="317 998 774 1084" style="list-style-type: none"> • Lead from lead-based paints • Crystalline silica from bricks, cement, and other masonry products • Arsenic and chromium from chemically treated lumber <p data-bbox="317 1086 951 1209">The level of risk from exposure to these chemicals varies, according to how often this type of work is performed. In order to reduce exposure to these chemicals, work in a well-ventilated area, and use approved safety equipment, such as a dust mask that is specifically designed to filter out microscopic particles.</p>
<p data-bbox="114 1242 288 1274">⚠️ WARNING</p> 	<p data-bbox="317 1226 808 1302">TO AVOID ELECTRICAL HAZARDS, FIRE HAZARDS OR DAMAGE TO THE TOOL, USE PROPER CIRCUIT PROTECTION.</p> <p data-bbox="317 1304 953 1388">This tool is wired at the factory for 120 V AC operation. It must be connected to a 120 V AC, 15 A circuit that is protected by a time-delayed fuse or circuit breaker. To avoid shock or fire, replace power cord immediately if it is worn, cut or damaged in any way.</p>

⚠ WARNING

WARNING: Ventilation openings in batteries and chargers must always be open to allow cooling air to circulate freely. Air vents that are blocked, restricted or covered may result in the battery or charger overheating. Overheating may lead to damage to the tool or cause a fire, resulting in possible serious injury.

POWER TOOL SAFETY

⚠ WARNING: Read all safety warnings and instructions. Failure to follow the warnings and instructions may result in electric shock, fire and/or serious injury.

Save all warnings and instructions for future reference.

WORK AREA SAFETY

Keep work area clean and well lit. Cluttered or dark areas invite accidents.

Do not operate power tools in explosive atmospheres, such as in the presence of flammable liquids, gases or dust. Power tools create sparks which may ignite the dust or fumes.

Keep children and bystanders away while operating a power tool. Distractions can cause you to lose control.

ELECTRICAL SAFETY

Power tool plugs must match the outlet. Never modify the plug in any way.

Do not use any adapter plugs with earthed (grounded) power tools. Unmodified plugs and matching outlets will reduce risk of electric shock.

Avoid body contact with earthed or grounded surfaces such as pipes, radiators, ranges and refrigerators. There is an increased risk of electric shock if your body is earthed or grounded.

Do not expose power tools to rain or wet conditions. Water entering a power tool will increase the risk of electric shock.

Do not abuse the cord. Never use the cord for carrying, pulling or unplugging the power tool. Keep cord away from heat, oil, sharp edges or moving parts. Damaged or entangled cords increase the risk of electric shock.

When operating a power tool outdoors, use an extension cord suitable for outdoor use. Use of a cord suitable for outdoor use reduces the risk of electric shock.

If operating a power tool in a damp location is unavoidable, use a residual current device (RCD) protected supply. Use of a ground fault circuit interrupter (GFCI) reduces the risk of electric shock.

PERSONAL SAFETY

Stay alert, watch what you are doing and use common sense when operating a power tool. Do not use a power tool while you are tired or under the influence of drugs, alcohol or medication. A moment of inattention while operating power tools may result in serious personal injury.

Use personal protective equipment. Always wear eye protection. Protective equipment such as dust mask, non-skid safety shoes, hard hat, or hearing protection used for appropriate conditions will reduce personal injuries.

Prevent unintentional starting. Ensure the switch is in the off-position before connecting to power source and/or battery pack, picking up or carrying the tool. Carrying power tools with your finger on the switch or energizing power tools that have the switch on invites accidents.

Remove any adjusting key or wrench before turning the power tool on.

A wrench or a key left attached to a rotating part of the power tool may result in personal injury.

Do not overreach. Keep proper footing and balance at all times. This enables better control of the power tool in unexpected situations.

Dress properly. Do not wear loose clothing or jewellery. Keep your hair, clothing and gloves away from moving parts. Loose clothes, jewellery or long hair can be caught in moving parts.

If devices are provided for the connection of dust extraction and collection facilities, ensure these are connected and properly used. Use of dust collection can reduce dust-related hazards.

POWER TOOL USE AND CARE

Do not force the power tool. Use the correct power tool for your application.

The correct power tool will do the job better and safer at the rate for which it was designed.

Do not use the power tool if the switch does not turn it on and off. Any power tool that cannot be controlled with the switch is dangerous and must be repaired.

Disconnect the plug from the power source and/or the battery pack from the power tool before making any adjustments, changing accessories, or storing power tools. Such preventive safety measures reduce the risk of starting the power tool accidentally.

Store idle power tools out of the reach of children and do not allow persons unfamiliar with the power tool or these instructions to operate the power tool.

Power tools are dangerous in the hands of untrained users.

Maintain power tools. Check for misalignment or binding of moving parts, breakage of parts and any other condition that may affect the power tool's operation. If damaged, have the power tool repaired before use. Many accidents are caused by poorly maintained power tools.

Keep cutting tools sharp and clean. Properly maintained cutting tools with sharp cutting edges are less likely to bind and are easier to control.

Use the power tool, accessories and tool bits etc. in accordance with these instructions, taking into account the working conditions and the work to be performed. Use of the power tool for operations different from those intended could result in a hazardous situation.

Hold power tool by insulated gripping surfaces when performing an operation where the cutting tool may contact hidden wiring or its own cord. Contact with a "live" wire will make exposed metal parts of the tool "live" and shock the operator.

Hold power tool by insulated gripping surfaces, when performing an operation where the fastener may contact hidden wiring or its own cord.

Fasteners contacting a "live" wire may make exposed metal parts of the power tool "live" and could give the operator an electric shock.

BATTERY TOOL USE AND CARE

Recharge only with the charger specified by the manufacturer. A charger that is suitable for one type of battery pack may create a risk of fire when used with another battery pack.

Use power tools only with specifically designated battery packs. Use of any other battery packs may create a risk of injury and fire.


When battery pack is not in use, keep it away from metal objects like paper clips, coins, keys, nails, screws, or other small metal objects that can make a connection from one terminal to another. Shorting the battery terminals together may cause burns or fire.

Under abusive conditions, liquids may be ejected from the battery; avoid contact. If contact accidentally occurs, flush with water. If liquid contacts eyes, additionally seek medical help. Liquid ejected from the battery may cause irritation or burns.

SERVICE

Have your power tool serviced by a qualified repair person using only identical replacement parts. This will ensure that the safety of the power tool is maintained.

SPECIFIC SAFETY RULES

 WARNING: Know your cordless impact driver. Do not plug in the charger or install the battery in the tool until you have read and understand this Instruction Manual. Learn the tool's applications and limitations, as well as the specific potential hazards related to this tool. Following this rule will reduce the risk of electric shock, fire, or serious injury.



Always wear eye protection. Any power tool can throw foreign objects into your eyes and cause permanent eye damage. ALWAYS wear safety goggles (not glasses) that comply with ANSI safety standard Z87.1. Everyday glasses have only impact resistant lenses. They ARE NOT safety glasses.

 WARNING: Glasses or goggles not in compliance with ANSI Z87.1 could cause serious injury when they break.

 WARNING: Always use a safety shield, hearing protection and dust mask when drilling concrete.

 WARNING: To avoid fire or toxic reaction, never use gasoline, naphtha, acetone, lacquer thinner or similar highly volatile solvents to clean the tool.

 WARNING: Use only accessories that are recommended for this cordless drill. Follow the instructions that accompany the accessories. The use of improper accessories may result in injury to the operator or damage to the tool.

⚠️ WARNING: If any part is missing or damaged, do not plug the tool into the power source or install any accessory until the missing or damaged part is replaced.

Use impact sockets and accessories that are designed for use with an impact driver. Do not use chrome plated sockets and accessories. Chrome plated sockets and accessories are designed for hand use only and **MUST NOT** be used with an impact driver. They may shatter and possibly cause serious injury.

Before each use, check the impact sockets and accessories for excessive wear or cracks. Worn or damaged sockets or accessories may shatter and possibly cause serious injury. Worn accessories may allow the socket to come off during operation of the impact driver.

After installing any accessory in the hex drive, pull outward on the accessory to ensure it is properly installed and cannot be pulled out of the hex drive.

Never use the impact driver as a torque wrench. Always use a torque wrench to adjust the fastener to the specified torque.

Keep the impact driver handle and body clean and free of oil and grease. Always use a clean dry cloth when cleaning. Do not use solvents, brake fluid, gasoline or other petroleum products to clean the tool. They will damage the tool.

Do not wear neckties or loose clothing.

When wearing gloves, they must be tight fitting and slip resistant type. Leather gloves offer the best protection.

Always use two hands when operating the impact driver. Use one hand on the handle and the other on the front of the tool body.

Never place your hand so it is touching the nut driver or accessory when the tool is turned ON. Your hand could be seriously injured.

Always remove the plug from the power source before installing or removing any socket or accessory.

Be ready for components to shift when removing any fastener. The speed of the fastener removal could cause unexpected shifting of the components.

BATTERY & CHARGER SAFETY

⚠️ WARNING: Only use the charger supplied with this kit to charge the 20V Max* Li-ion batteries for this tool. Charging any other batteries may damage the charger and possibly cause serious injury.

Do not store or carry the battery in a manner in which metal objects could contact the exposed metal end. Do not place the battery in aprons, pockets, drawers, etc. with loose nails, screws, keys etc. The battery could short circuit causing a fire, personal injury, or damage to the battery.

Never attempt to open the battery for any reason. If the housing of the battery breaks or cracks, immediately discontinue use and do not recharge.

Do not charge the battery if it is wet or shows any evidence of corrosion.

A small leakage from the battery may occur under extreme usage, charging or temperature conditions. This does not indicate a failure. However, if the outer seal is broken and this leakage gets on your skin, follow these steps:

1. Wash immediately with soap and water.
2. Neutralize with a mild acid such as lemon juice or vinegar.
3. If liquid gets into your eyes, flush immediately with clean water for a minimum of 10 minutes and seek medical attention.

NOTE: The battery liquid is slightly acidic.

Do not incinerate the battery. It can explode in a fire.

Do not use an extension cord. Plug the charger cord directly into an electrical outlet.

Use the charger only in a standard 120V, 60 Hz electrical outlet.

Do not use the charger in wet or damp conditions. It is intended for indoor use only. Do not use the charger near sinks or tubs. Do not immerse the charger in water. Do not allow the cord to hang over the edge of a table or counter or touch hot surfaces.

The charger should be placed away from sinks and hot surfaces.

Do not use the charger to charge any batteries other than the cordless drill batteries. Other batteries may explode.

Do not allow the cord to hang over the edge of a table or counter or touch hot surfaces. The charger should be placed away from sinks and hot surfaces.

Do not operate charger if the cord or plug is damaged. Replace the damaged cord and plug immediately.

Do not operate the charger if it has received a sharp blow, been dropped or otherwise damaged in any way. Have a qualified technician examine the charger and repair it if necessary. Do not disassemble the charger.

Do NOT charge the batteries when the work area or the battery temperature is at or below 0° C (32° F) or above 45° C (113° F).

Unplug the charger when not in use and before cleaning or maintenance.

BATTERY PACK RECYCLING


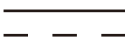














To preserve our natural resources, please recycle or dispose of batteries properly.

The batteries charged by this charger may contain chemicals and metals that are harmful to the environment. Never dispose of re-chargeable batteries in your normal household garbage or in landfill sites as they will add to the pollution of the environment.

SYMBOLS

⚠️ WARNING: Some of the following symbols may appear on the impact driver. Study these symbols and learn their meaning. Proper interpretation of these symbols will allow for more efficient and safer operation of this tool.

V	VOLTS		Three-phase alternating current with neutral
A	Amperes		Direct current
Hz	Hertz	n_0	No load speed
W	Watts		Alternating or direct current
kW	Kilowatts		Class II construction
µF	Microfarads		Splash-proof construction
L	Liters		Watertight construction
kg	Kilograms		Protective grounding at grounding terminal, Class I tools
H	Hours	.../min	Revolutions or reciprocations per minute
N/cm²	Newtons per square centimeter	\emptyset	Diameter
Pa	Pascals	0	Off position
OPM	Oscillations per minute		Arrow
MIN	Minutes		Warning symbol
S	Seconds		Wear your safety glasses
 or ac.	Alternating current		Wear a dust mask
 3	Three-phase alternating current		Wear hearing protection



Intertek
3042597
JD509620

This symbol designates that this tool is listed with Canadian and U.S. requirements by ETL Testing Laboratories, Inc. Conforms to UL Std. 60745-1 and 60745-2-11. Certified to CAN/CSA Std. C22.2 No. 60745-1 and 60745-2-11.

KNOW YOUR 20V MAX BRUSHLESS 2VS IMPACT DRIVER



Battery charger
5350-010



ASSEMBLY AND OPERATION

CHECKING THE BATTERY CHARGE STATUS

The level of charge remaining in the battery can be checked by using the battery LED power indicator that is contained on the end of the battery.

NOTE: The battery charge remaining may be checked while the battery is installed in the tool with the ON/OFF switch turned OFF. It may also be checked while the battery is removed from the tool. **DO NOT** check the battery charge remaining while the battery is in the charger. You will get a false reading and you may also damage the battery status system.

1. Press and hold the battery status button located on the end of the battery.
2. One or more of the Four LED lights in the LED window will come ON to indicate the amount of charge that is remaining in the battery as follows:

Charge Level Indicator						
Amount of Charge Remaining	0 - 10%	10 - 25%	25 - 50%	50 - 75%	75 - 100%	

3. Release the battery status button to turn the LEDs OFF.

CHECKING THE BATTERY PACK

1. Place the battery charger (1) in a dry location near a 110–120V 60 Hz electrical outlet (Fig. 1).
2. Plug the battery charger into the outlet and make sure the green LED indicator light (5) comes ON. If it does not, refer to the chart (Fig. 2) to identify the problem.
3. Turn the battery (2) upside down and slide it onto the charger. NOTE: Make sure the grooves (3) in the sides of the battery slide over the matching tabs on the charger (4) until the battery latch “clicks” into place.

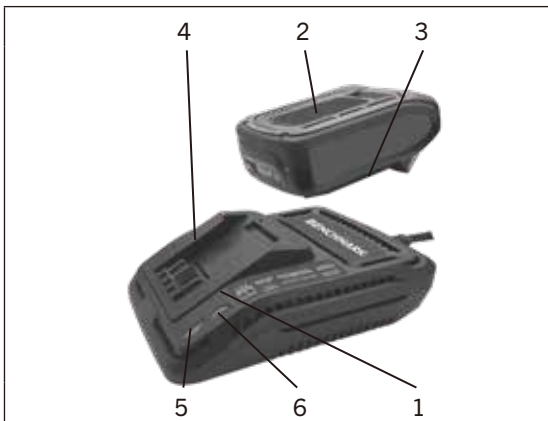


FIG. 1

NOTE: a) When the charger is plugged into the wall receptacle and NO battery is on the charger, the green indicator light (5) will turn ON indicating the charger is “live”.

b) When a discharged battery is installed on the charger, the green indicator light will turn OFF and the red indicator light (6) will FLASH. The flashing red indicator light indicates the battery is being charged.

c) If the red indicator light does not come ON, check to make sure battery pack is slid fully onto the charger and the electrical outlet is working properly.

d) See Fig. 2 at right for other indicator light functions.

e) A discharged battery pack should be fully charged in up to 75 minutes.

f) It is normal for the battery charger to hum and be warm to the touch during operation.

g) If the battery pack does not charge properly, check to make sure the electrical outlet is “live”.

h) Do NOT charge batteries when the work area or the battery temperature is at or below 5°C (41° F) or above 40°C (105° F).

Green Light	Red Light	Battery Inserted Into Charger	Charging Status
ON	OFF	ON	Charger connected to power supply
OFF	Flashing	YES	Battery being charged
ON	OFF	YES	Battery fully charged
OFF	ON	YES	Battery defective or bad contact
ON	ON	YES	Battery too hot or too cold to be charged

FIG. 2

INSTALLING A BATTERY IN THE IMPACT DRIVER

1. Remove the discharged battery (1) from the drill by pressing downward on the battery release button (2) and sliding the battery backward until it is removed from the drill handle (3) (Fig. 3).

2. Slide the fully charged battery onto the matching keys (4) in the drill handle where the discharged battery has been removed.

NOTE: Make sure the slots in the battery are fully engaged with the mounting keys in the drill handle. The battery release button will “click” into place when the battery is fully installed.

⚠️ WARNING: Do not immerse the battery pack in water. Sudden cooling could cause a hot battery to explode or leak.

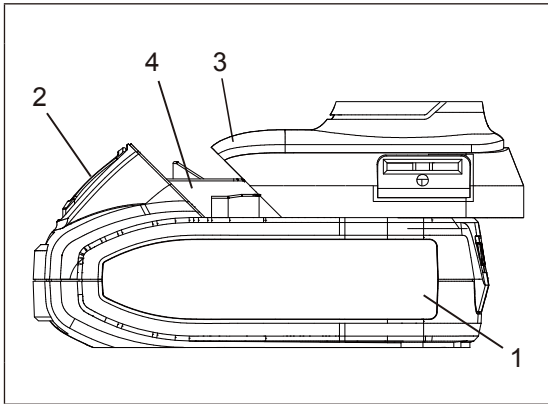


FIG. 3

INSTALLING SCREWDRIVER BITS AND SOCKETS

⚠ WARNING: Never hold the impact driver with your fingers near the switch while changing the screwdriver bits. Accidentally touching the switch may start the tool and possibly cause an injury.

⚠ WARNING: Use only screwdriver bits, sockets that are designed for use with an impact driver. Do not use chrome plated sockets and accessories. Chrome plated sockets and accessories are designed for hand use only and **MUST NOT** be used with an impact driver. They may shatter and possibly cause serious injury.

⚠ WARNING: Always remove the battery from the tool before changing any sockets, bits or accessories. You may injure your hand if the tool is started accidentally.

1. Pull outward on the quick release chuck (1) (Fig. 4).
2. Insert the grooved end of the impact driver bit holder. (2) into the chuck (3) of the tool.

NOTES: a) Always use ANSI single ended screwdriver bits or nut driver with the grooved end. These bits will be properly held in place by the chuck. Other bit types cannot be properly secured in the chuck. b) Push the screwdriver bit as far as it will go into the chuck.

3. Release the quick release chuck.
4. Pull outward on the screwdriver bit to ensure it is properly locked into the chuck.

NOTES: a) Use the largest size screwdriver bit that will properly fit the screw head. b) Make sure the screwdriver bit is in good condition and is neither damaged nor worn.

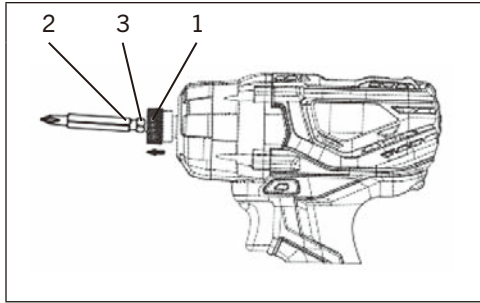


FIG. 4

FORWARD/REVERSE SWITCH

The forward/reverse switch (1) is conveniently mounted above the trigger switch (2) (Fig. 5). To make the impact driver rotate clockwise for driving screws, push the forward/reverse switch to the left. To make the driver rotate counter-clockwise for removing screws, push the forward/reverse switch to the right

NOTE: a) Never change the position of the forward/ reverse switch while the chuck is turning. b) The trigger switch will Not function with the forward/reverse switch in the middle position.

VARIABLE-SPEED TRIGGER SWITCH

This drill is equipped with a variable-speed ON/OFF trigger switch.

1. To start the impact driver, gently squeeze the trigger switch (2) (Fig. 6). **NOTE:** The impact driver will turn at its slowest speed when the trigger switch is squeezed lightly. The impact driver will turn at its fastest speed when the trigger switch is squeezed firmly.

2. To stop the drill, release the trigger switch.

NOTE: Operating the impact driver at a slow speed for an extended period of time may cause the impact driver motor or the battery to overheat. If the driver gets hot, stop operating it and allow it to cool for at least 15 minutes.

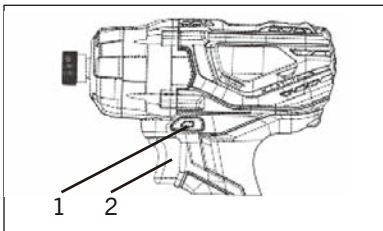


FIG. 5

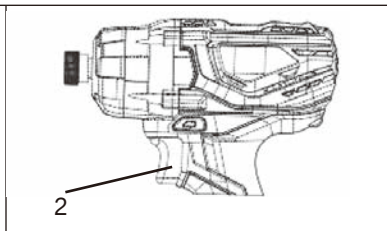


FIG. 6

SPEED AND AUTO-STOP CONTROL

(Located on tool foot)

Push the selection button when the tool is in forward for low or high speeds. Push to select the auto-stop feature when the tool is in reverse.

Speed	Direction	Lights	Application
Low	Forward	On	Low torque and finish work such as plastic trim or installation
High	Forward	On	Higher torque such as driving self-tapping screws
Reverse Auto-Stop	Reverse	On	To loosen screws or bolts

LED WORK LIGHT

The LED work light (3) will automatically turn ON when the trigger switch is squeezed (Fig. 7). It will automatically turn OFF when the trigger switch is released.

NOTE: The LED light has a 20-second time delay.

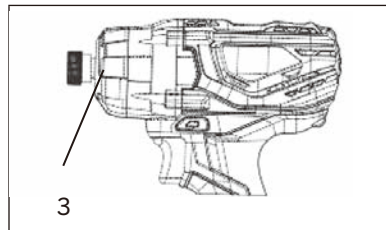


FIG. 7

PREPARING SCREW HOLES

It is important to prepare screw holes before attempting to fasten two pieces of wood together. Proper preparation will make screws drive easier and prevent misaligned components, stripped screw heads, splitting and separating of wood components.

1. Clamp the components that are to be screwed together in their desired position (Fig. 8).
2. Drill a pilot hole (1) through the outer piece (2) and into the inner piece (3).
Drill hole 2/3 the diameter of the smooth portion of the screw shank.

NOTE: If the wood is soft, drill the hole 2/3 the length of the screw. If the wood is hard, drill the hole the full length of the screw.

3. Remove the clamp from the two pieces to be screwed together.
4. Enlarge the hole (1) in the outer piece (2) so it is the same size as the smooth portion of the screw shank (Fig. 9).

5. If using a flat head screw, counter-sink the hole (4) so the head of the screw will be flush with the surface when fully driven into place.

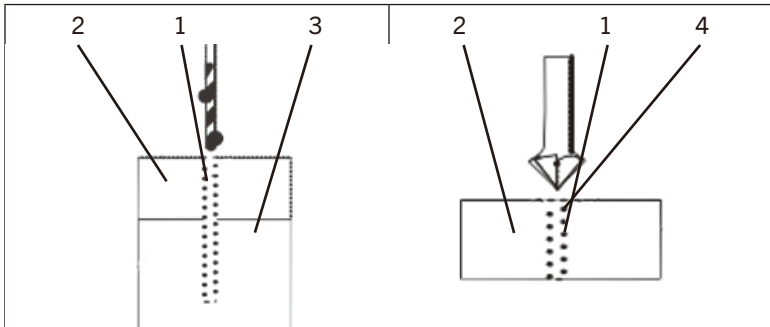


FIG. 8

FIG. 9

DRIVING SCREWS

When driving screws, care must be taken to use a bit that correctly fits the head of the screw being driven. Make sure you use the largest bit size that will properly fit into the head of the screw. The bits must also be in good condition and not worn so they will drive screws without slipping out of the screw head.

1. Select the correct screwdriver bit for the screw being driven and install it in the collet (Fig. 4).
2. Set forward/reverse switch to “forward” (Fig. 5).
3. Insert the screwdriver bit fully into the screw head (Fig. 10).
4. While holding the screwdriver bit firmly against the screw and the bit aligned with the screw, squeeze the trigger switch to start the cordless driver and drive the screw.
5. When the screw is driven to the correct depth, release the switch and the impact driver will stop.

NOTE: As the screw is driven into the wood, the torque required to completely drive the screw into the wood will increase. The impact function will allow you to continue driving the screw until it is fully nested in the countersunk area.

6. Release the trigger as soon as the screw is driven to the desired depth. Failure to release the trigger at this point will result in an overdriven screw and possibly twist the head off the screw.

NOTE: To remove screws, follow the same general procedure as for driving screws.

7. Push the forward/reverse button to the RIGHT for removing screws.
8. Insert the bit fully into the screw head.
9. Hold the impact driver and bit firmly against the screw head and squeeze the trigger switch.

NOTE: The impact action will allow you to remove tight screws.

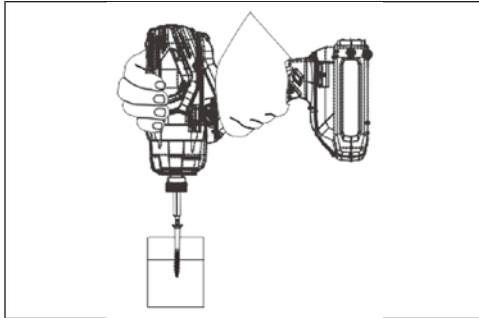


FIG. 10

This impact driver may be used with nut drivers and impact sockets. Although these accessories are NOT included with this tool, they may be purchased separately.

WARNING: Nut drivers, socket adaptor and sockets MUST be impact rated and include the ANSI locking groove.

INSTALLING NUT DRIVERS FOR 3/16" TO 3/8" NUTS

1. Select the correct nut driver size.
2. Insert the hex end (1) into the hex drive (2) (Fig. 11).

NOTE: See Fig. 3 for complete procedure.

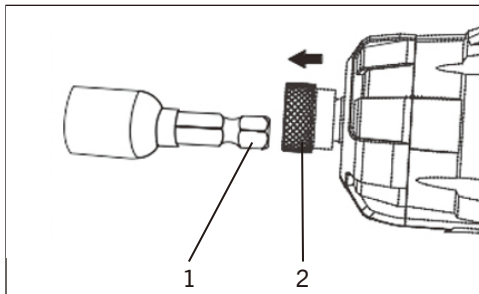


FIG. 11

INSTALLING IMPACT SOCKETS FOR 7/16" TO 3/4" NUTS

1. Insert the hex end of the socket adaptor (1) into the hex drive (2) (Fig. 12).
2. Select the correct socket size.
3. Push the square end of the socket (3) onto the matching square end of the adaptor (4).

NOTE: Make sure the socket is fully installed onto the square portion of the adaptor.

REMOVING NUTS

1. Press the forward/reverse button to the RIGHT for removing nuts (Fig. 5).
2. Place the socket fully onto the nut.
3. Hold the nut driver socket and impact driver firmly against the nut with both hands. With the nut driver aligned with the nut, squeeze the trigger switch to start the impact driver and remove the nut.

NOTE: When removing fasteners, do not allow the impact driver to operate more than 5 seconds unless the fastener begins to turn. If the fastener fails to turn within 5 seconds, reverse the direction of rotation and operate the impact driver in a forward direction on the fastener for a few seconds. Now switch back to reverse direction and remove the fastener. This procedure will usually break loose seized or “frozen” fasteners.

⚠ WARNING: Operating the impact driver for more than 5 seconds at a time on a seized or “frozen” fastener will place severe stress on the impact driver and cause damage. It may also break the fastener.

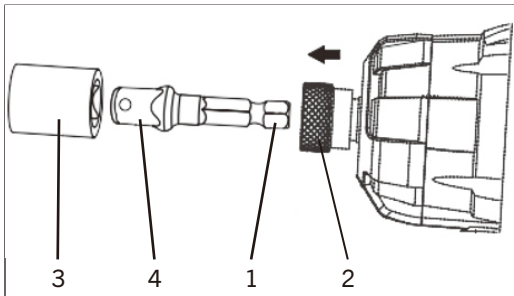


FIG. 12

MAINTENANCE

GENERAL

⚠️ WARNING: When servicing, use only identical replacement parts. The use of any other part may create a hazard or cause product damage.

DO NOT use solvents when cleaning plastic parts. Plastics are susceptible to damage from various types of commercial solvents and may be damaged by their use. Use a clean cloth to remove dirt, dust, oil, grease etc.

⚠️ WARNING: DO NOT allow brake fluids, gasoline, petroleum-based products, penetrating oils, etc. to come into contact with plastic parts. They contain chemicals that can damage, weaken, or destroy plastic.

DO NOT abuse power tools. Abusive practices can damage the tool and the workpiece.

⚠️ WARNING: DO NOT attempt to modify tools or create accessories. Any such alteration or modification is misuse and could result in a hazardous condition leading to possible serious injury. It will also void the warranty.

LUBRICATION

All of the bearings in this tool are lubricated with a sufficient amount of high-grade lubricant for the life of the unit under normal conditions. Therefore, no further lubrication is required.

LITHIUM-ION BATTERY PERFORMANCE

Lithium-ion rechargeable batteries generally provide superior performance to nickel-cadmium batteries when used in power tools.

- Faster charges
- Longer battery life
- More power
- Lighter weight

Lithium-ion batteries perform best and deliver peak output power at room temperature (20° C or 68° F). When operated in lower temperatures, the battery output will be reduced and it will NOT function below -20° C (-4° F). The output power will increase as the heat generated by the battery during use increases the internal temperature of the battery. The result is increased power as the tool is used.

LITHIUM-ION BATTERY MAINTENANCE

Lithium-ion batteries share many characteristics with nickel-cadmium batteries.

The major characteristic that is NOT shared with nickel-cadmium batteries is that Lithium-ion batteries do not have a “memory” and do not require to be completely discharged periodically. It is recommended that you charge your Lithium-ion batteries after each use so they will be fully charged when needed.

NOTE: A fully charged battery will lose about 2% of its charge per month during storage.

BATTERY PACK REMOVAL AND PREPARATION FOR RECYCLING

To preserve our natural resources, please recycle or dispose of batteries properly.

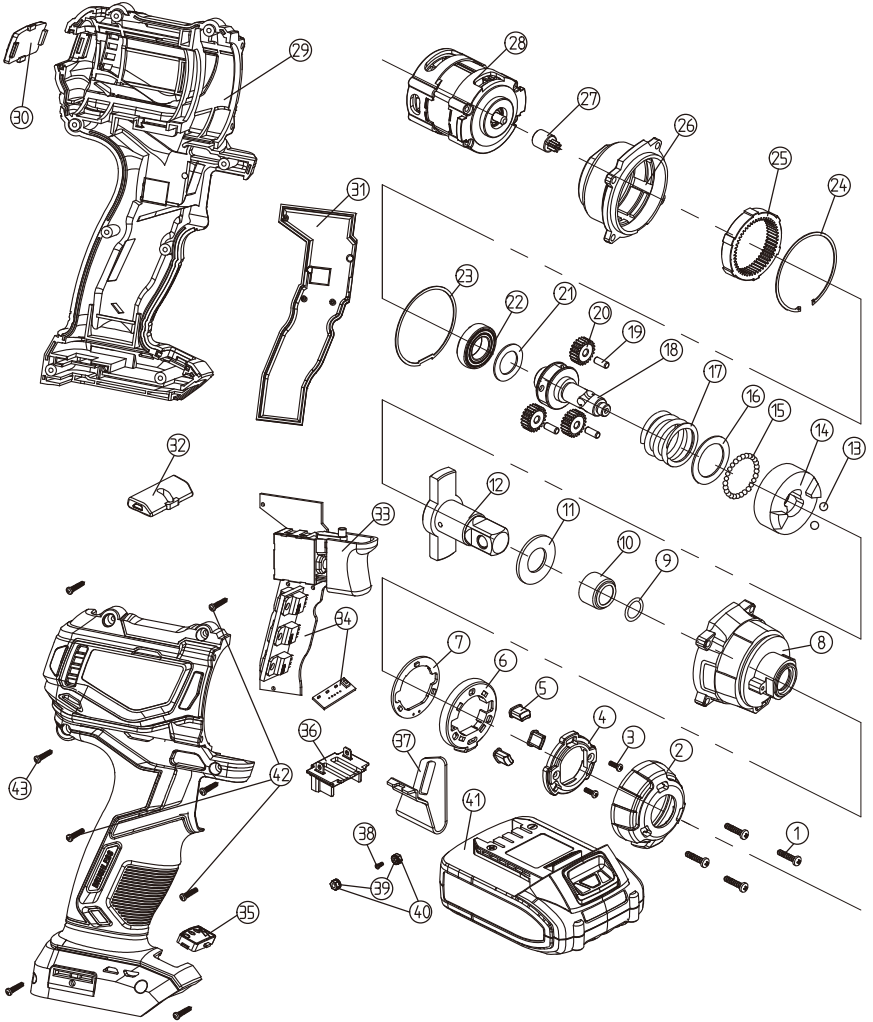
The batteries supplied with this tool may contain chemicals and metals that are harmful to the environment. Never dispose of rechargeable batteries in your normal household garbage or land fill sites because they will add to the pollution of the environment.

Consult your local waste authority for information regarding available recycling and disposal options.

⚠️ WARNING: If the battery pack has been removed from the tool, cover the terminals of the battery pack with electrical tape or heavy-duty adhesive tape. Never touch both terminals with metal objects or body parts, because a short circuit may result. Keep away from children. Do not attempt to destroy or disassemble battery pack or remove any of its components. Rechargeable batteries must be recycled or disposed of properly. Failure to comply with these warnings could result in fire and serious injury.

⚠️ WARNING: When servicing, use only original equipment replacement parts. The use of any other parts may create a safety hazard or cause damage to the tool. Any attempt to repair or replace electrical parts on this tool may create a safety hazard unless repairs are performed by a qualified technician. For more information, call the Toll-free helpline at 1-866-349-8665.

EXPLODED VIEW



PARTS LIST

Always order by part number.

KEY #	PART #	PART NAME / QUANTITY	KEY #	PART #	PART NAME / QUANTITY
1	4030010263	ST3 9X 25 / 4	25	2010090070	Inner ring / 1
2	3140100011	Rubber sleeve / 1	26	4020010007	Gear box / 1
3	4020020017	M3X8 / 2	27	2020010027	Motor gear / 1
4	3150160218	Lampshade setting ring / 1	28	2010180026	Motor / 1
5	3160060091	Lampshsde / 3	29	1039080001	Enclosure / 1
6	3150160219	Circuit board setting ring / 1	30	3010020032	Cooling block / 1
7	1130040070	LED circuit board / 1	31	2030100070	Hook / 1
8	2020050082	Aluminum shell / 1	32	3120030126	Direction setting button / 1
9	3140020001	O type ring (1) / 1	33	1130030050	Switch / 1
10	2010080002	Shaft coat / 1	34	1060050017	Control circuit board / 1
11	2030020002	Washer (2) / 1	35	2020180005	LED circuit board (2) / 1
12	2040050126	Outer shaft / 1	36	4020010027	Eloctrode plate / 1
13	4080070001	Ball ϕ 5.5 / 2	37	3150170016	Housing hook / 1
14	2040200011	Impct block / 1	38	4030010145	M3X12 / 1
15	4080040001	Ball ϕ 4 / 21	39	4030010248	Sarrated ring / 2
16	2030020003	Washer (3) / 1	40	4020010168	M3hexagon nut / 2
17	2050060004	Torque spring / 1	41	4040080003	Battery pack / 1
18	2040050106	Inner shaft / 1	42	4060010003	ST3X14 bald / 3
19	4110030002	Pin ϕ 4X9.8 / 3	43	1290090019	ST3X16 bald / 5
20	2010010064	Planetary gear / 3	44		
21	2030020229	Washer (5) / 1	45		
22	4010010062	Bearing (6902Z) / 1	46		
23	3190090001	Oil proof washer / 1	47		
24	4100010013	Internal circlip / 1	48		

⚠ WARNING: When servicing, use only original equipment replacement parts. The use of any other parts may create a safety hazard or cause damage to the tool.

Any attempt to repair or replace electrical parts on this tool may create a safety hazard unless repairs are performed by a qualified technician. For more information, call the Toll-free Helpline, at 1-866-349-8665.

WARRANTY

If this Benchmark tool fails due to a defect in material or workmanship within five years from the date of purchase, return it to any Home Hardware store with the original bill of sale for exchange. 3-year warranty for the battery and charger. This warranty does not include expendable parts including but not limited to blades, brushes, belts, light bulbs.

This warranty covers defects in material or workmanship only. It does not cover normal wear and tear, failure due to abuse/misuse, or defects caused by careless or accidental mishandling. If this Benchmark product is used for commercial or rental purposes, this warranty does not apply.

20V MAX BRUSHLESS 1/4" IMPACT DRIVER



5 Year Limited Warranty
3 Year Limited Warranty on
Battery and Charger

BENCHMARK™
MC

BENCHMARK TOOLS CANADA
ST. JACOBS, ONTARIO N0B 2N0
© 2020 Home Hardware Stores Limited

CUSTOMER SERVICE/TECH SUPPORT
1-866-349-8665

1239-101

Made in China



* This Benchmark™ product carries a five (5) year LIMITED warranty against defects in workmanship and materials. The charger and batteries carry a three (3) year LIMITED warranty. See Owner's Manual for full details.



Intertek

3042597
JD509620

**READ ALL INSTRUCTIONS BEFORE FIRST USE.
KEEP THIS MANUAL FOR FUTURE REFERENCE.
KEEP AWAY FROM CHILDREN.**

Maximum initial battery voltage (measured without a load)
is 20 volts. Nominal voltage is 18 volts.



**WEAR CSA APPROVED
EYE PROTECTION**



**WEAR EAR
PROTECTION**



**WEAR A
FACE MASK**

BENCHMARKTM MC

20V MAX BRUSHLESS RECIPROCATING SAW



5 Year Limited Warranty on tool
Battery and charger sold separately
Battery & charger included where applicable



JD522620

**READ ALL INSTRUCTIONS BEFORE FIRST USE.
KEEP THIS MANUAL FOR FUTURE REFERENCE.
KEEP AWAY FROM CHILDREN.**

Maximum initial battery voltage (measured without a load)
is 20 volts. Nominal voltage is 18 volts.



**WEAR CSA APPROVED
EYE PROTECTION**



**WEAR EAR
PROTECTION**



**WEAR A
FACE MASK**

PRODUCT SPECIFICATIONS

12A VARIABLE SPEED RECIIPROCATING SAW	
Voltage	20V MAX*
Variable Speed	0-3,000 SPM
Length of Stroke	1-1/4" (31MM)
Max. Cutting Capacity - Wood	(w/12" blade) 3-15/16" (100MM)
Max. Cutting Capacity - Pipe	3/4" (20MM)
Max. Cutting Capacity - Steel	3/8" (10MM)
Electric Brake	Yes
Batteries (Sold Separately)	5350-023 (2.5Ah), 5350-011 (4Ah), 5350-012 (5Ah)
Charger (Sold Separately)	5350-010 2.4Amp 5350-022 6A Fast Charger
Total Weight	5.3Lb (2.4Kg) Tool Only

NEED ASSISTANCE?

Call us on our toll-free customer support line:
1-866-349-8665 (Monday through Friday 9am – 5pm Eastern Standard Time)

- Technical questions
- Replacement parts
- Parts missing from package




TABLE OF CONTENTS

Product Specifications	1
Table of Contents	2
General Safety Instructions	3
Eye, Ear & Lung Protection	3
Electrical Safety	4
Symbol	5
Power Tool Safety	6
Work Area Safety	6
Electrical Safety.....	6
Personal Safety.....	6
Power Tool Use and Care	7
Service	7
Battery Tool Use and Care.....	8
Specific Safety Instructions for Brushless 20V Vs Reciprocating Saw	8
Know Your 20V Max Brushless Vs Recoprocation Saw.....	9
Assembly and Operating	9
Instructions	9
Important Safety Instructions.....	10
Disposal	10
Purpose	10
Installing a Blade	10
Removing a Blade.....	11
Adjusting the Pivoting Shoe	11
Lock-Out Switch	11
Variable Speed Trigger Switch	12
Materials You Can Cut	12
Orbital Action	12
When to Use Orbital Action	13
Setting Orbital Action	13
General Cutting	13
Plunge Cutting	13
Cutting Wood	14
Metal Cutting	14
Maintenance	15
Lubrication	15
Exploded View	16
Parts List	17
Warranty	18

GENERAL SAFETY INSTRUCTIONS


⚠️ WARNING: Before using this tool or any of its accessories, read this manual and follow all Safety Rules and Operating Instructions. The important precautions, safeguards and instructions appearing in this manual are not meant to cover all possible situations. It must be understood that common sense and caution are factors which cannot be built into the product.

EYE, EAR & LUNG PROTECTION

SYMBOL	MEANING
<p data-bbox="165 604 350 644">⚠️ DANGER</p> 	<p data-bbox="373 586 961 638">ALWAYS WEAR EYE PROTECTION THAT CONFORMS WITH CSA Z94.3 or ANSI SAFETY STANDARD Z87.1</p> <p data-bbox="373 638 989 770">FLYING DEBRIS can cause permanent eye damage. Prescription eyeglasses ARE NOT a replacement for proper eye protection. The usage of a safety standard compliant face shield placed over proper safety glasses or goggles can reduce the risk of facial injury.</p> <p data-bbox="373 770 997 822">Non-compliant eyewear can cause serious injury if broken during the operation of a power tool.</p>
<p data-bbox="165 841 350 881">⚠️ WARNING</p> 	<p data-bbox="373 873 1000 925">Use hearing protection, particularly during extended periods of operation of the tool, or if the operation is noisy.</p>
<p data-bbox="165 972 350 1012">⚠️ WARNING</p> 	<p data-bbox="373 972 909 1046">WEAR A DUST MASK THAT IS DESIGNED TO BE USED WHEN OPERATING A POWER TOOL IN A DUSTY ENVIRONMENT.</p> <p data-bbox="373 1046 961 1156">Dust that is created by power sanding, sawing, grinding, drilling, and other construction activities may contain chemicals that are known to cause cancer, birth defects, or other genetic abnormalities. These chemicals include:</p> <ul data-bbox="373 1168 961 1295" style="list-style-type: none"> • Lead from lead-based paints • Crystalline silica from bricks, cement, and other masonry products • Arsenic and chromium from chemically treated lumber <p data-bbox="373 1307 967 1463">The level of risk from exposure to these chemicals varies, according to how often this type of work is performed. In order to reduce exposure to these chemicals, work in a well-ventilated area, and use approved safety equipment, such as a dust mask that is specifically designed to filter out microscopic particles.</p>


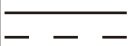












ELECTRICAL SAFETY

 **WARNING:** To avoid electrical hazards, fire hazards or damage to the tool, use proper circuit protection.

 **WARNING:** Ventilation openings in batteries and chargers must always be open to allow cooling air to circulate freely. Air vents that are blocked, restricted or covered may result in the battery or charger overheating. Overheating may lead to damage to the tool or cause a fire, resulting in possible serious injury.

SYMBOLS

⚠️ WARNING: Some of the following symbols may appear on the reciprocating saw. Study these symbols and learn their meaning. Proper interpretation of these symbols will allow for more efficient and safer operation of this tool.

V	VOLTS		Three-phase alternating current with neutral
A	Amperes		Direct current
Hz	Hertz	n₀	No load speed
W	Watts		Alternating or direct current
kW	Kilowatts		Class II construction
µF	Microfarads		Splash-proof construction
L	Liters		Watertight construction
kg	Kilograms		Protective grounding at grounding terminal, Class I tools
H	Hours	.../min	Revolutions or reciprocations per minute
N/cm²	Newtons per square centimeter	∅	Diameter
Pa	Pascals	0	Off position
OPM	Oscillations per minute		Arrow
MIN	Minutes		Warning symbol
S	Seconds		Wear your safety glasses
 or ac.	Alternating current		Wear a dust mask
3 	Three-phase alternating current		Wear hearing protection



This symbol designates that this tool is listed with U.S. and Canadian requirements by cTUVus Testing Laboratories, Inc.
 UL62841-1, UL62841-2-11;
 CSA C22.2#UL62841-1, UL62841-2-11.

POWER TOOL SAFETY

 **WARNING: Read all safety warnings and instructions.** Failure to follow the warnings and instructions may result in electric shock, fire and/or serious injury.

Save all warnings and instructions for future reference.

WORK AREA SAFETY

Keep work area clean and well lit. Cluttered or dark areas invite accidents.

Do not operate power tools in explosive atmospheres, such as in the presence of flammable liquids, gases or dust. Power tools create sparks which may ignite the dust or fumes.

Keep children and bystanders away while operating a power tool. Distractions can cause you to lose control.

ELECTRICAL SAFETY

Power tool plugs must match the outlet. Never modify the plug in any way. Do not use any adapter plugs with earthed (grounded) power tools. Unmodified plugs and matching outlets will reduce risk of electric shock.

Avoid body contact with earthed or grounded surfaces such as pipes, radiators, ranges and refrigerators. There is an increased risk of electric shock if your body is earthed or grounded.

Do not expose power tools to rain or wet conditions. Water entering a power tool will increase the risk of electric shock.

Do not abuse the cord. Never use the cord for carrying, pulling or unplugging the power tool. Keep cord away from heat, oil, sharp edges or moving parts. Damaged or entangled cords increase the risk of electric shock.

When operating a power tool outdoors, use an extension cord suitable for outdoor use. Use of a cord suitable for outdoor use reduces the risk of electric shock.

If operating a power tool in a damp location is unavoidable, use a residual current device (RCD) protected supply. Use of a ground fault circuit interrupter (GFCI) reduces the risk of electric shock.

PERSONAL SAFETY

Stay alert, watch what you are doing and use common sense when operating a power tool. Do not use a power tool while you are tired or under the influence of drugs, alcohol or medication. A moment of inattention while operating power tools may result in serious personal injury.

Use personal protective equipment. Always wear eye protection. Protective equipment such as dust mask, non-skid safety shoes, hard hat, or hearing protection used for appropriate conditions will reduce personal injuries.

Prevent unintentional starting. Ensure the switch is in the off-position before connecting to power source and/or battery pack, picking up or carrying the tool. Carrying power tools with your finger on the switch or energizing power tools that have the switch on invites accidents.

Remove any adjusting key or wrench before turning the power tool on.

A wrench or a key left attached to a rotating part of the power tool may result in personal injury.

Do not overreach. Keep proper footing and balance at all times. This enables better control of the power tool in unexpected situations.

Dress properly. Do not wear loose clothing or jewellery. Keep your hair, clothing and gloves away from moving parts. Loose clothes, jewellery or long hair can be caught in moving parts.

If devices are provided for the connection of dust extraction and collection facilities, ensure these are connected and properly used. Use of dust collection can reduce dust-related hazards.

POWER TOOL USE AND CARE

Do not force the power tool. Use the correct power tool for your application.

The correct power tool will do the job better and safer at the rate for which it was designed.

Do not use the power tool if the switch does not turn it on and off. Any power tool that cannot be controlled with the switch is dangerous and must be repaired.

Disconnect the plug from the power source and/or the battery pack from the power tool before making any adjustments, changing accessories, or storing power tools. Such preventive safety measures reduce the risk of starting the power tool accidentally.

Store idle power tools out of the reach of children and do not allow persons unfamiliar with the power tool or these instructions to operate the power tool.

Power tools are dangerous in the hands of untrained users.

Maintain power tools. Check for misalignment or binding of moving parts, breakage of parts and any other condition that may affect the power tool's operation. If damaged, have the power tool repaired before use. Many accidents are caused by poorly maintained power tools.

Keep cutting tools sharp and clean. Properly maintained cutting tools with sharp cutting edges are less likely to bind and are easier to control.

Use the power tool, accessories and tool bits etc. in accordance with these instructions, taking into account the working conditions and the work to be performed. Use of the power tool for operations different from those intended could result in a hazardous situation.

Hold power tool by insulated gripping surfaces when performing an operation where the cutting tool may contact hidden wiring or its own cord. Contact with a "live" wire will make exposed metal parts of the tool "live" and shock the operator.

Use clamps or another practical way to secure and support the workpiece to a stable platform. Holding the work by hand or against your body leaves it unstable and may lead to loss of control.

SERVICE

Have your power tool serviced by a qualified repair person using only identical replacement parts. This will ensure that the safety of the power tool is maintained.

BATTERY TOOL USE AND CARE

Recharge only with the charger specified by the manufacturer. A charger that is suitable for one type of battery pack may create a risk of fire when used with another battery pack.

Use power tools only with specifically designated battery packs. Use of any other battery packs may create a risk of injury and fire.

When battery pack is not in use, keep it away from metal objects like paper clips, coins, keys, nails, screws, or other small metal objects that can make a connection from one terminal to another. Shorting the battery terminals together may cause burns or fire.

Under abusive conditions, liquids may be ejected from the battery; avoid contact. If contact accidentally occurs, flush with water. If liquid contacts eyes, additionally seek medical help. Liquid ejected from the battery may cause irritation or burns.

SPECIFIC SAFETY INSTRUCTIONS FOR BRUSHLESS 20V VS RECIPROCATING SAW

Know your reciprocating saw. DO NOT plug in the charger or install the battery in the tool until you have read and understand this Instruction Manual. Learn the tool's applications and limitations, as well as the specific potential hazards related to this tool. Following this rule will reduce the risk of electric shock, fire, or serious injury.

Always keep hands out of the path of the saw blade. Avoid awkward hand positions where a sudden slip could cause your hand to move into the path of the saw blade.

 WARNING: Know your reciprocating saw. Do not plug in the tool until you have read and understand this Instruction Manual. Learn the tool's applications and limitations, as well as the specific potential hazards related to this tool. Following this rule will reduce the risk of electric shock, fire, or serious injury.

Do not reach underneath the workpiece.



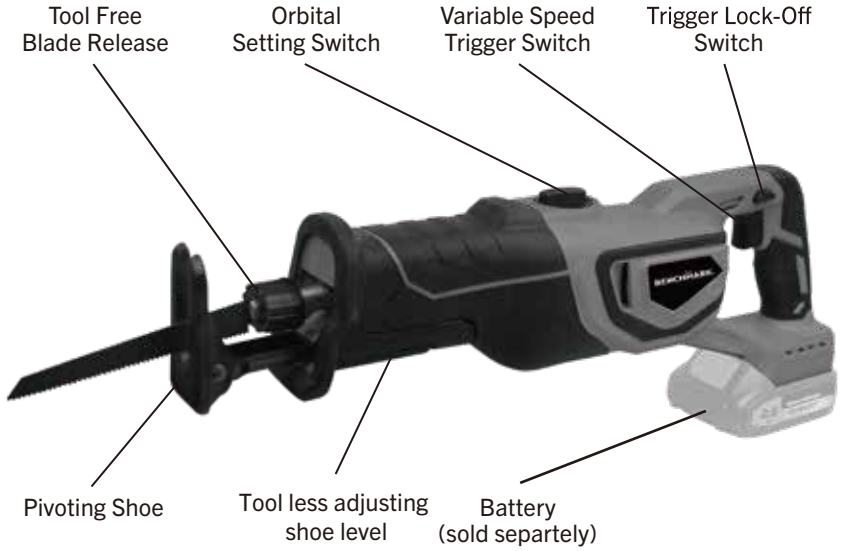
Always wear eye protection. Any power tool can throw foreign objects into your eyes and cause permanent eye damage. ALWAYS wear safety goggles (not glasses) that comply with ANSI safety standard Z87.1. Everyday glasses have only impact resistant lenses. They ARE NOT safety glasses.

 WARNING: Glasses or goggles not in compliance with ANSI Z87.1 could cause serious injury when they break.

Hold the tool by its insulated gripping surfaces when performing an operation where the saw blade may contact hidden wiring or its own cord. Contact with a "live" wire will make exposed metal parts of the tool "live" and shock the operator.

Use clamps or another practical way to secure and support the workpiece to a stable platform.

KNOW YOUR 20V MAX BRUSHLESS VS RECIPROCATATION SAW



ASSEMBLY AND OPERATING

 **WARNING:** Always use hearing protection when sawing, particularly during extended periods of operation.

 **WARNING:** Always remove the battery before changing the blade and when making any adjustments.

INSTRUCTIONS

Hold power tool by insulated gripping surfaces when performing an operation where the cutting tool may contact hidden wiring or its own cord. Contact with a “live” wire will make exposed metal parts of the tool “live” and shock the operator.

1. Always hold the tool with two hands. Attempting to control the tool with only one hand is dangerous. It could result in loss of control and serious injury.
2. Never hold the workpiece in one hand and the tool the other hand when sawing. Never place the hands near or below the cutting surface. Clamp the workpiece and guide the tool with both hands.
3. Always make sure the work surface is free from nails and other foreign objects. Cutting into a nail can cause the blade and the tool to jump and damage the blade.
4. Never lay the workpiece on hard surfaces like concrete, stone etc. The protruding blade may cause tool to jump.
5. After changing a blade or making adjustments, make sure the blade clamp is holding the blade securely. Loose blades could be violently thrown from the tool.
6. Never use dull or damaged blades. Sharp blades must be handled with care. Damaged blades can snap during use. Dull blades require more force to cut the workpiece, possibly causing the blade to break.
7. Never touch the blade during or immediately after use. After use, the blade is too hot to be touched.

IMPORTANT SAFETY INSTRUCTIONS

The warnings, precautions, and instructions discussed in this manual cannot cover all possible conditions and situations that may occur. The operator must understand that common sense and caution are factors which cannot be built into this product, but must be supplied by the operator.

 **WARNING:** Use only attachments recommended or sold by manufacturer.

1. DO NOT disassemble the saw. Take it to a qualified professional when service or repair is required. Incorrect reassembly may result in electric shock or fire.
2. Wear approved safety eye/face shield, ear defenders and hand protection.

DISPOSAL

At the end of the useful life of the Tools by Benchmark 20V MAX* Li-ion Reciprocating Saw, dispose of the components according to all state, federal and local regulations.

PURPOSE

20V Max* Li-ion Reciprocating Saw is ideal for demolition and remodeling. Designed to cut through many types of materials such as wood, metal, PVC and nails.

Always wear safety goggles and gloves.

⚠️ WARNING: DO NOT immerse the battery pack in water. Sudden cooling could cause a hot battery to explode or leak.

INSTALLING A BLADE

⚠️ WARNING: Always remove the battery from the tool before installing or removing a blade or adjusting the saw in any way.

1. To install a blade in the saw, rotate the blade locking sleeve (1) counter clockwise (Fig. 1).
2. Insert the appropriate blade (2) into the blade slot (3) as far as it will go.
3. Release the blade locking sleeve.

NOTE: The blade will automatically be locked into the blade holder. Pull outward on the blade to ensure it is properly locked into the blade holder.

REMOVING A BLADE

To remove a blade, simply rotate the blade locking sleeve counter clockwise and remove the blade from the blade holder.

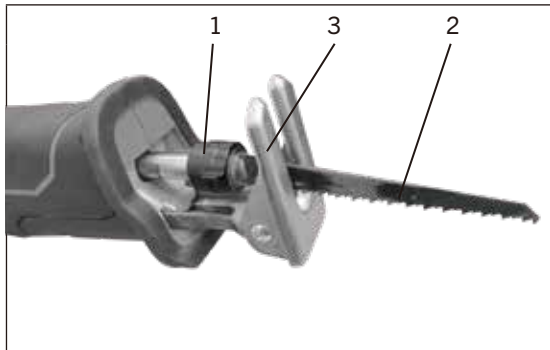


FIG. 1

ADJUSTING THE PIVOTING SHOE

1. The pivoting shoe will pivot to follow the angle of the blade to the workpiece. This action ensures the flat surface of the shoe is against the workpiece for better cutting action and easier control of the saw.

2. The shoe can be adjusted in or out, allowing the use of the blade teeth at different points on the blade. This will provide longer blade life as one section of the blade becomes dull.
3. To adjust the pivoting shoe, rotate the pivoting shoe adjusting lever to its downward position.
4. Slide the pivoting shoe in or out until it is in the appropriate position.
5. Lock the pivoting shoe in place by rotating the pivoting shoe adjusting lever upward to its original horizontal position.

LOCK-OUT SWITCH

1. The lock-out switch (1) is a safety device designed to reduce the possibility of a user accidentally starting the saw. (Fig. 2)
2. This switch must be pressed before the trigger (2) switch can be squeezed.

NOTE: The lock-out switch can be pressed from either the left or right side of the handle.

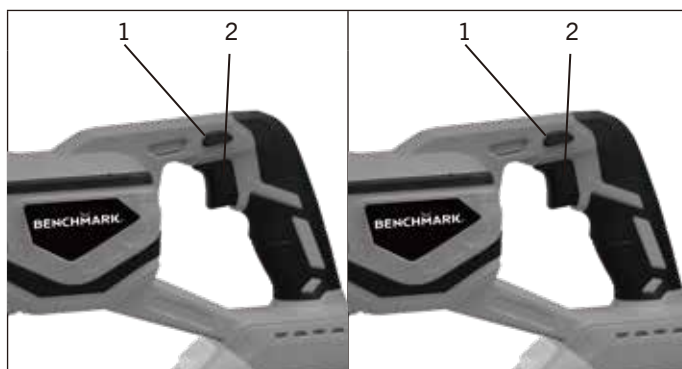


FIG. 2

FIG. 3

VARIABLE SPEED TRIGGER SWITCH

The trigger switch turns the reciprocating saw ON and OFF as well as controlling the speed.

1. To turn the saw ON, press the lock-out switch with your thumb. (Fig. 2)
2. While holding the lock-out switch in the pressed position, squeeze the trigger (2) switch to start the saw. (Fig. 3)
3. Once the saw starts, release the lock-out switch. The saw will remain running until the trigger switch is released.

NOTE: The trigger switch also controls the speed at which the saw runs. The more you squeeze the trigger, the faster the saw will run.

4. To turn the saw OFF, release the trigger switch.

NOTE: To re-start the saw, the lock-out switch must be pressed again before the trigger switch is squeezed.

MATERIALS YOU CAN CUT

This reciprocating saw is a versatile tool that allows you to cut many different types of materials. Some of these materials include:

- Wood products such as lumber, hardwood, plywood, composite board, and paneling

ORBITAL ACTION

Orbital action describes the movement of the blade in the reciprocating saw. Most basic saws use a straight stroke which means that the blade just moves straight in and out of the saw. A straight stroke is good for certain types of cuts like scrolling in wood or for cutting hard materials like steel. Orbital action, however, moves the blade in a slightly circular motion as it moves in and out of the tool. This allows faster cuts in softer materials and facilitates faster chip removal from the blade path.

WHEN TO USE ORBITAL ACTION

Orbital action is suitable for aggressive cuts in wood when a rough cut to remove material quickly is called for. However, it's not recommended for cutting metal, or when making highly precise cuts where the blade has to be kept perfectly perpendicular to the work surface.

SETTING ORBITAL ACTION

Turn switch to orbital setting to engage orbital action.

NOTE: There are many different types of blades available. Generally, there are metal cutting blades (fine teeth) and wood cutting blades (coarse teeth). Use the correct blade for your application. The packaging on the blade will indicate the type of materials each blade is designed to cut.

GENERAL CUTTING

1. Clearly mark the workpiece to locate the position of the cut.
2. Hold smaller workpieces with a vice. Clamp larger workpieces to a workbench or table.

⚠ WARNING: Any workpiece that is not adequately clamped in place may come loose and cause serious injury. Never hold the workpiece with your hand.

3. Make sure there are no nails, screws, clamps or foreign materials in
4. Hold the saw away from your body and in front of you.
5. With both hands firmly gripping the saw, and with the blade NOT in contact with the surface to be cut, start the saw by pressing the lock-out switch and squeezing the trigger switch.
6. Once the saw has reached the desired speed, place the adjustable pivoting shoe against the workpiece and gradually bring the moving blade into contact with the workpiece at the appropriate location.

⚠ CAUTION: DO NOT force the saw. Use only enough force to keep the blade cutting. Excessive pressure on the blade will cause it to bend and twist, which may result in breaking the blade.

PLUNGE CUTTING

1. Clearly mark the workpiece to locate the position of the cut.
2. Clamp the workpiece to a workbench or table (Fig. 6).

NOTE: Make sure the area to be cut is clear under the workpiece so that the blade will not come into contact with anything other than the workpiece.

3. Select a convenient starting point in the area to be cut out. Place the tip of the blade over that point.
4. Rest the lower edge of the adjustable pivoting shoe on the workpiece and hold it firmly in that position, maintaining a shallow cutting angle.
5. Press the lock-out switch and squeeze the trigger switch to start the saw.

⚠ WARNING: Make sure the blade does not touch the workpiece until the saw reaches full speed. Loss of control and possible injury could result.

6. With the saw running at full speed, slowly tilt the saw until the tip of the blade contacts the workpiece and begins to cut. After the blade cuts through the workpiece, tilt the saw upward until the blade is perpendicular to the workpiece.

CUTTING WOOD

1. Clearly mark the workpiece to locate the position of the cut.
2. Hold smaller workpieces with a vice. Clamp larger workpieces to a workbench or table.

⚠ DANGER: Any workpiece that is not adequately clamped in place may come loose and cause serious injury. Never hold the workpiece with your hand.

3. Make sure there are no nails, screws, clamps or foreign materials in the path of the saw blade.
4. Set the orbital control knob to either conventional or orbital cutting to produce the desired cutting effect (Fig. 3).
5. Hold the saw away from your body and in front of you (Fig. 5).
6. With both hands firmly gripping the saw, and with the blade NOT in contact with the surface to be cut, start the saw by squeezing the switch trigger.
7. Once the saw has reached the desired speed, place the adjustable pivoting shoe against the workpiece and gradually bring the moving blade into contact with the workpiece at the appropriate location.

⚠ CAUTION: Do not force the saw. Use only enough force to keep the blade cutting. Excessive pressure on the blade will cause it to bend and twist, which may result in breaking the blade.

METAL CUTTING

1. Metals such as pipe, steel rods, sheet steel, aluminum, brass and copper can be cut with your reciprocating saw.
2. To cut thin sheet material, “sandwich” the material between hardboard or plywood and clamp the layers to limit vibration and material tearing.
3. Always use a fine toothed metal cutting blade and run the saw at medium speeds when cutting metal.
4. 4- Use cutting oil to keep the blade cool, increase cutting DO NOT twist or bend the saw blade.
5. DO NOT force the saw blade. Let it cut at its own speed.

⚠️ WARNING: Always clamp the workpiece in a vice, or to a workbench or table. DO NOT hold workpiece in your hand. Never use gasoline as a lubricant or as a cleaning agent. A spark from the motor may cause an explosion. Gasoline will also damage the plastic components of the saw.

4. Select a convenient starting point in the area to be cut out. Place the tip of the blade over that point.
5. Rest the lower edge of the adjustable pivoting shoe on the workpiece and hold it firmly in that position, maintaining a shallow cutting angle.
6. Squeeze the switch trigger to start the saw.

MAINTENANCE WARNING

When servicing, use only identical replacement parts. The use of any other part may create a hazard or cause product damage.

DO NOT use solvents when cleaning plastic parts. Plastics are susceptible to damage from various types of commercial solvents and may be damaged by their use. Use a clean cloth to remove dirt, dust, oil, grease, etc.

⚠ WARNING: DO NOT allow brake fluids, gasoline, petroleum-based products, penetrating oils, etc. to come into contact with plastic parts. They contain chemicals that can damage, weaken or destroy plastic.

DO NOT abuse power tools. Abusive practices can damage the tool and the workpiece.

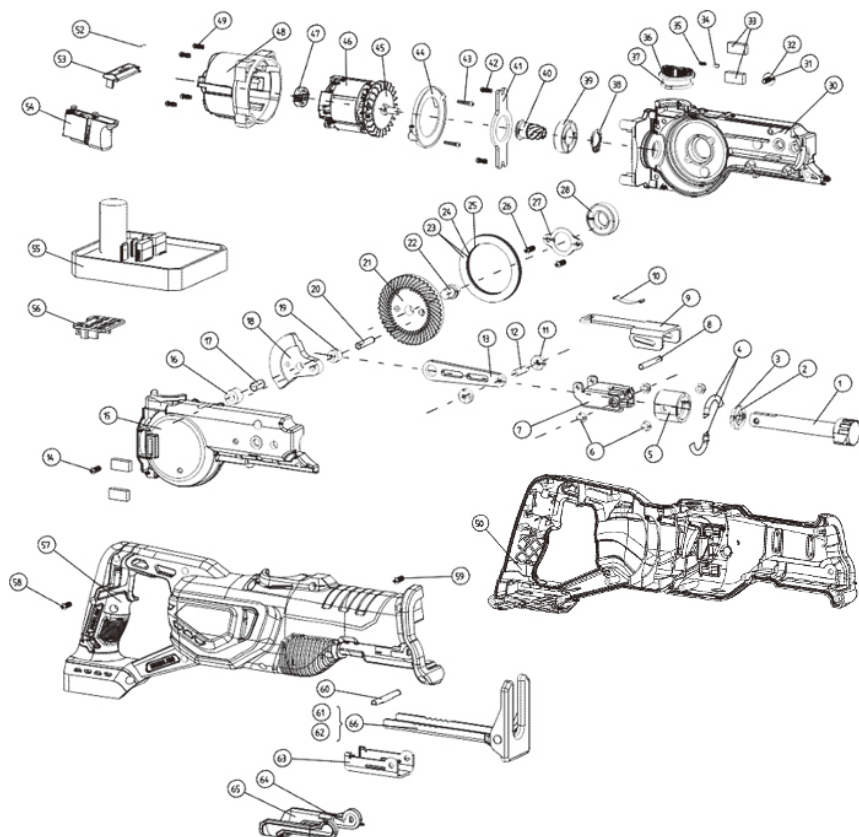
⚠ WARNING: DO NOT attempt to modify tools or create accessories. Any such alteration or modification is misuse and could result in a hazardous condition leading to possible serious injury. It will also void the warranty.

NOTE: It has been found that electric tools are subjected to accelerated wear and possible premature failure when they are used on fiberglass boats and sports cars, wallboard, spackling compounds or plaster. The chips and grindings from these materials are highly abrasive to electric tool parts such as bearings, brushes, commutators, etc. Consequently, it is not recommended that this tool be used for extended work on any fiberglass material, wallboard, spackling compounds or plaster. During any use on these materials, it is extremely important that the tool is cleaned frequently by blowing it out with an air jet.

LUBRICATION

All of the bearings in this tool are lubricated with a sufficient amount of high-grade lubricant for the life of the unit under normal conditions. Therefore, no further lubrication is required.

EXPLODED VIEW



PARTS LIST

Always order by key number.

KEY #	PART #	PART NAME / QUANTITY	KEY #	PART #	PART NAME / QUANTITY
1	150010057	Modules Of Reciprocating Rod	33	2040160190	Gear Column
2	2030020400	Gasket	34	2050060230	Spring
3	3190010056	Wool Felt	35	3120060076	Knob Shaft Of Lifting Knife
4	3140020171	O-Ring	36	2040160230	Inserts Of Cutter Lifting Knob
5	2010080159	Axle Sleeve	37	4100020010	Elastic Collar
6	2040160227	Locating Pin	38	4010010086	Deep Groove Ball Bearing
7	2030030321	Guide Rail	39	2040100004	Motor Gear
8	4110040017	Roller Pin	40	2030160171	Bearing Pressure Plate
9	2030030322	Guide Rail	41	4020010167	Screw
10	2050070072	Leaf Spring	42	4030010130	Screw
11	2010210026	Idler Wheel	43	3150050105	Guide Solar
12	2040160229	Link Pin	44	3150010137	Fan Blade
13	2030030320	Link	45	1030300007	Rear Cowl
14	4020010169	Screw	46	4010010034	Deep Groove Ball Bearing
15	2020010038	Gear Box	47	3150190218	Motor Cover
16	4010020044	Needle Bearing	48	4020010008	Screw
17	2040160228	Clump Weight Pin	49	3010080023	Casing
18	2040210052	Clump Weight	50	2050060218	Spring
19	4010020036	Needle Bearing	51	3120030148	Switch Lock Lever
20	2040160229	Link Pin	52	1630500001	Switch Block
21	2040100005	Big Gear	53	1130030079	Module Og Control Circuit Board
22	2040050183	Principal Axis	54	3150170020	Battery Lead Plate
23	2030020401	Cage Washer	55	3010080023	Casing
24	3150160254	Cage	56	4030010074	Screw
25	4080020001	Steel Ball	57	4030010106	Screw
26	4020020010	Screw	58	2040160226	Wrench Pin
27	2030160172	Bearing Pressure Plate	59	2030100088	Bottom Bracket
28	4010010043	Bearing	60	1150020155	Bottom
29	2020010038	Gear Box	61	2030160170	Bottom Plate
30	2030020146	Non-Standard Gasket	62	2030020399	Inserts Of Fast Loading Wrench
31	4020010161	Screw	63	3120100064	Fast Loading Wrench
32	3140060054	Shock pad	64	1150020154	Bottom block

WARRANTY

If this Benchmark tool fails due to a defect in material or workmanship within five years from the date of purchase, return it to any Home Hardware store with the original bill of sale for exchange. 3-year warranty for the battery and charger. This warranty does not include expendable parts including but not limited to blades, brushes, belts, light bulbs.

This warranty covers defects in material or workmanship only. It does not cover normal wear and tear, failure due to abuse/misuse, or defects caused by careless or accidental mishandling. If this Benchmark product is used for commercial or rental purposes, this warranty does not apply.

20V MAX BRUSHLESS RECIPROCATING SAW



5 Year Limited Warranty on tool

BENCHMARK™
MC

BENCHMARK TOOLS CANADA

ST. JACOBS, ONTARIO N0B 2N0

© 2020 Home Hardware Stores Limited

CUSTOMER SERVICE/TECH SUPPORT

1-866-349-8665

1239-101

Made in China



* This Benchmark™ product carries a five (5) year LIMITED warranty against defects in workmanship and materials. The charger and batteries carry a three (3) year LIMITED warranty. See Owner's Manual for full details.



JD522620

**READ ALL INSTRUCTIONS BEFORE FIRST USE.
KEEP THIS MANUAL FOR FUTURE REFERENCE.
KEEP AWAY FROM CHILDREN.**

Maximum initial battery voltage (measured without a load)
is 20 volts. Nominal voltage is 18 volts.



**WEAR CSA APPROVED
EYE PROTECTION**



**WEAR EAR
PROTECTION**



**WEAR A
FACE MASK**

BENCHMARKTM MC

20V MAX LED WORKLIGHT



LIMITED
5 YEAR*
WARRANTY

5 Year Limited Warranty on tool
3 Year on battery and chargers
Battery and charger sold separately
Battery & charger included where applicable

**READ ALL INSTRUCTIONS BEFORE FIRST USE.
KEEP THIS MANUAL FOR FUTURE REFERENCE.
KEEP AWAY FROM CHILDREN.**

Maximum initial battery voltage (measured without a load)
is 20 volts. Nominal voltage is 18 volts.



**WEAR CSA APPROVED
EYE PROTECTION**



**WEAR EAR
PROTECTION**



**WEAR A
FACE MASK**

PRODUCT SPECIFICATIONS

20V MAX LED LIGHT	
Voltage	20V
LED Light levels	2
Wattage	3W LED (Equals 130 LUMENS)
Rotation	360°
Tilts	90°
Weight	0.5Lb (0.2KG) Worklight Only
Batteries (Sold Separately)	5350-023 (2.5Ah), 5350-011 (4Ah), 5350-012 (5Ah)
Charger (Sold Separately)	5350-010 2.4Amp

NEED ASSISTANCE?

Call us on our toll-free customer support line:
1-866-349-8665 (Monday through Friday 9am – 5pm Eastern Standard Time)

- Technical questions
- Replacement parts
- Parts missing from package

TABLE OF CONTENTS

Product Specifications 1
Table of Contents 2
General Safety Instructions 3
Work Area Safety 3
Electrical Safety 3
Personal Safety 3
Power Tool Use and Care 4
Battery Tool Use and Care 5
Service 5
Symbols 5
Know Your 20V Max LED Light 6
Tool Assembly 6
Installing the Belt Clip 6
How to Use the 20v Max LED Light 7
Maintenance 7
Warranty 7
Exploded View 8
Parts List 8

GENERAL SAFETY INSTRUCTIONS

⚠️ WARNING: Read all safety warnings and all instructions. Failure to follow the warnings and instructions may result in electric shock, fire and/or serious injury. **Save all warnings and instructions for future reference.** The term “power tool” in the warnings refers to your mains-operated (corded) power tool or battery-operated (cordless) power tool.

WORK AREA SAFETY

- a) **Keep work area clean and well lit.** Cluttered or dark areas invite accidents.
- b) **Do not operate power tools in explosive atmospheres, such as in the presence of flammable liquids, gases or dust.** Power tools create sparks which may ignite the dust or fumes.
- c) **Keep children and bystanders away while operating a power tool.** Distractions can cause you to lose control.

ELECTRICAL SAFETY

- a) **Power tool plugs must match the outlet. Never modify the plug in any way.** Do not use any adapter plugs with earthed (grounded) power tools. Unmodified plugs and matching outlets will reduce risk of electric shock.
- b) **Avoid body contact with earthed or grounded surfaces, such as pipes, radiators, ranges and refrigerators.** There is an increased risk of electric shock if your body is earthed or grounded.
- c) **Do not expose power tools to rain or wet conditions.** Water entering a power tool will increase the risk of electric shock.
- d) **Do not abuse the cord. Never use the cord for carrying, pulling or unplugging the power tool. Keep cord away from heat, oil, sharp edges or moving parts.** Damaged or entangled cords increase the risk of electric shock.
- e) **When operating a power tool outdoors, use an extension cord suitable for outdoor use.** Use of a cord suitable for outdoor use reduces the risk of electric shock.
- f) **If operating a power tool in a damp location is unavoidable, use a residual current device (RCD) protected supply.** Use of an RCD reduces the risk of electric shock.

PERSONAL SAFETY

- a) **Stay alert, watch what you are doing and use common sense when operating a power tool. Do not use a power tool while you are tired or under the influence of drugs, alcohol or medication.** A moment of inattention while operating power tools may result in serious personal injury.
- b) **Use personal protective equipment. Always wear eye protection.** Protective equipment such as dust mask, non-skid safety shoes, hard hat, or hearing protection used for appropriate conditions will reduce personal injuries.

- c) **Prevent unintentional starting. Ensure the switch is in the off position before connecting to power source and/or battery pack, picking up or carrying the tool.** Carrying power tools with your finger on the switch or energising power tools that have the switch on invites accidents.
- d) **Remove any adjusting key or wrench before turning the power tool on.**
A wrench or a key left attached to a rotating part of the power tool may result in personal injury.
- e) **Do not overreach. Keep proper footing and balance at all times.** This SYMBOLS enables better control of the power tool in unexpected situations.
- f) **Dress properly. Do not wear loose clothing or jewellery. Keep your hair, clothing and gloves away from moving parts.** Loose clothes, jewellery or long hair can be caught in moving parts.
- g) **If devices are provided for the connection of dust extraction and collection facilities, ensure these are connected and properly used.** Use of dust collection can reduce dust-related hazards.

POWER TOOL USE AND CARE

- a) **Do not force the power tool. Use the correct power tool for your application.**
The correct power tool will do the job better and safer at the rate for which it was designed.
- b) **Do not use the power tool if the switch does not turn it on and off.** Any power tool that cannot be controlled with the switch is dangerous and must be repaired.
- c) **Disconnect the plug from the power source and/or the battery pack from the power tool before making any adjustments, changing accessories, or storing power tools.** Such preventive safety measures reduce the risk of starting the power tool accidentally.
- d) **Store idle power tools out of the reach of children and do not allow persons unfamiliar with the power tool or these instructions to operate the power tool.**
Power tools are dangerous in the hands of untrained users.
- e) **Maintain power tools. Check for misalignment or binding of moving parts, breakage of parts and any other condition that may affect the power tool's operation. If damaged, have the power tool repaired before use.** Many accidents are caused by poorly maintained power tools.
- f) **Keep cutting tools sharp and clean.** Properly maintained cutting tools with sharp cutting edges are less likely to bind and are easier to control.
- g) **Use the power tool, accessories and tool bits etc. in accordance with these instructions, taking into account the working conditions and the work to be performed.** Use of the power tool for operations different from those intended could result in a hazardous situation.

BATTERY TOOL USE AND CARE






- a) **Recharge only with the charger specified by the manufacturer.** A charger that is suitable for one type of battery pack may create a risk of fire when used with another battery pack.
- b) **Use power tools only with specifically designated battery packs.** Use of any other battery packs may create a risk of injury and fire.
- c) **When battery pack is not in use, keep it away from other metal objects, like paper clips, coins, keys, nails, screws or other small metal objects, that can make a connection from one terminal to another.** Shorting the battery terminals together may cause burns or a fire.
- d) **Under abusive conditions, liquid may be ejected from the battery; avoid contact. If contact accidentally occurs, flush with water. If liquid contacts eyes, additionally seek medical help.** Liquid ejected from the battery may cause irritation or burns.

SERVICE

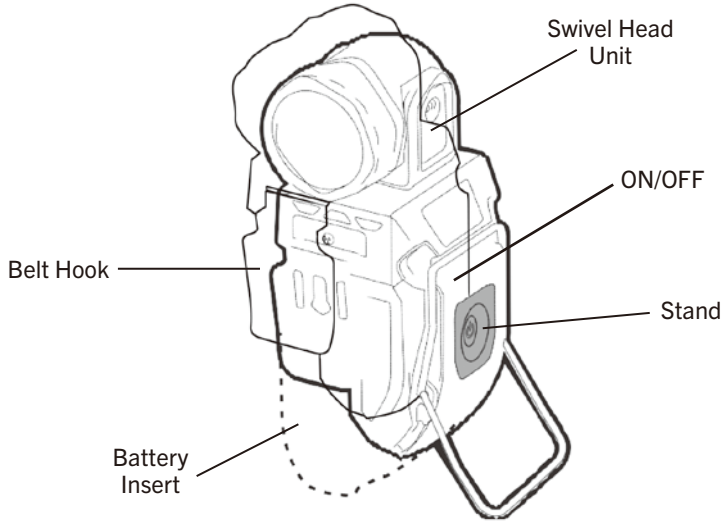
- a) **Have your power tool serviced by a qualified repair person using only identical replacement parts.** This will ensure that the safety of the power tool is maintained.

SYMBOLS

The rating plate on your tool may show symbols. These represent important information about the product or instructions on its use.

	Direct current, DC		Waste electrical products should not be disposed of with household waste. Please recycle where facilities exist. Check with your Local Authority or retailer for recycling advice.
	Refer to instruction manual/ booklet		
	General warning		Regulator compliance mark

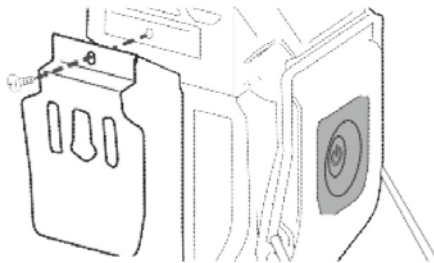
KNOW YOUR 20V MAX LED LIGHT



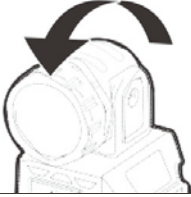
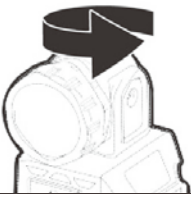
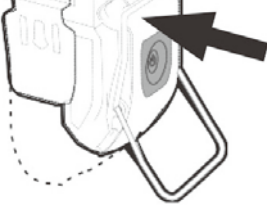
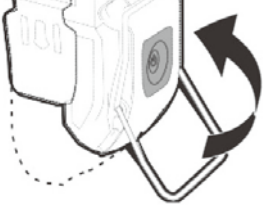
TOOL ASSEMBLY

INSTALLING THE BELT CLIP

Place provided belt clip (4) in the desired position on the side of the torch. Using a Phillips head #2 screwdriver, place screw through clip into screw hole & hand tighten until you feel resistance & clip is adequately tight.



HOW TO USE THE 20V MAX LED LIGHT

	
<p>VERTICAL SWIVEL (180°)</p>	<p>HORIZONTAL SWIVEL (360°)</p>
	
<p>HOW TO TURN THE LIGHT ON To turn on the light, press the on/off switch (2) once for low light and twice for full light.</p>	<p>HOW TO USE THE STAND The hanger/stand (3) has three available positions: Position 1: Closed Position 2: Used as a stand to hold up the light Position 3: Used to hang the light up allowing for handsfree use</p>

MAINTENANCE

Avoid using solvents when cleaning plastic parts. Most plastics are susceptible to damage from various types of commercial solvents and may be damaged by their use. Use clean cloths to remove dirt, dust, oil, grease, etc.

⚠️ WARNING: Do not at any time let brake fluids, gasoline, petroleum based products, penetrating oils, etc., come in contact with plastic parts. Chemicals can damage, weaken or destroy plastic which may result in serious personal injury.

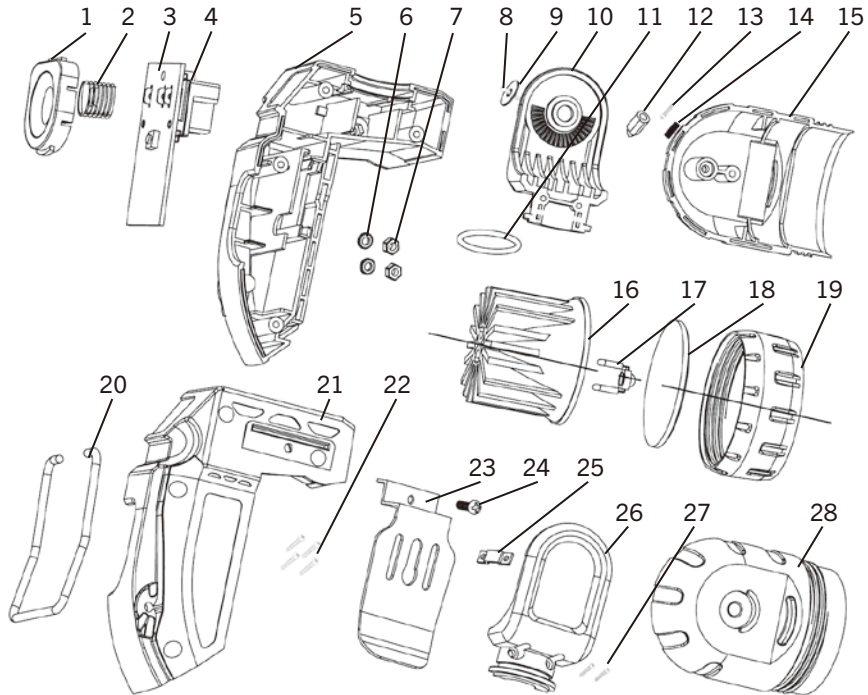
WARRANTY

BENCH MARK 20V MAX LED LIGHT

If this Benchmark tool fails due to a defect in material or workmanship within five years from the date of purchase, return it to any Home Hardware store with the original bill of sale for exchange. 3-year warranty for the battery and charger. This warranty does not include expendable parts including but not limited to blades, brushes, belts, light bulbs.

This warranty covers defects in material or workmanship only. It does not cover normal wear and tear, failure due to abuse/misuse, or defects caused by careless or accidental mishandling. If this Benchmark product is used for commercial or rental purposes, this warranty does not apply.

EXPLODED VIEW



PARTS LIST

KEY #	PART #	PART NAME / QUANTITY	KEY #	PART #	PART NAME
1	3120010084	Switch Button / 1	15	3010120027	Revolving Housing (Left) / 1
2	2050030017	Spring / 1	16	2030030232	Reflector / 1
3	1130030062	Pcb Assembly / 1	17	1220040003	LED Light / 1
4	3150170018	Terminal Plate / 1	18	3180010019	Lens / 1
5	3010120034	Left Housing / 1	19	3160060064	Lens Retainer / 1
6	2030020305	Washer / 2	20	4030010034	Steel Wire / 1
7	4060010039	Nut / 2	21	3010120034	Right Housing / 1
8	4030010034	Screw St 2.9x16 / 1	22	4030010034	Screw St 2.9x16 / 4
9	2030020288	Washer / 1	23	2030090031	Belt Loop / 1
10	3010120025	Left Revolving Support / 1	24	4020010168	Screw M 3x12 / 1
11	3140020046	O Ring / 1	25	3150020008	Cord Clamp / 1
12	3150130127	Pin / 1	26	3010120025	Right Revolving Support / 1
13	4030010012	Screw St 2.5x10 / 1	27	4030010012	Screw St 2.5x10 / 2
14	2050060209	Spring / 1	28	3010120027	Revolving Housing (Right) / 1

20V MAX LED WORKLIGHT

1239-101

20V MAX LED WORKLIGHT



5 Year Limited Warranty on tool
3 Year on battery and chargers
Battery and charger sold separately

BENCHMARK™
MC

BENCHMARK TOOLS CANADA
ST. JACOBS, ONTARIO N0B 2N0
© 2020 Home Hardware Stores Limited

CUSTOMER SERVICE/TECH SUPPORT
1-866-349-8665

1239-101

Made in China



* This Benchmark™ product carries a five (5) year LIMITED warranty against defects in workmanship and materials. The charger and batteries carry a three (3) year LIMITED warranty. See Owner's Manual for full details.

**READ ALL INSTRUCTIONS BEFORE FIRST USE.
KEEP THIS MANUAL FOR FUTURE REFERENCE.
KEEP AWAY FROM CHILDREN.**

Maximum initial battery voltage (measured without a load)
is 20 volts. Nominal voltage is 18 volts.



**WEAR CSA APPROVED
EYE PROTECTION**



**WEAR EAR
PROTECTION**



**WEAR A
FACE MASK**