



Hatchlift.com™

The Solution to the Hatch Headache
Patent Pending

9060 W 6th Avenue, Lakewood, CO 80215 USA
Phone: (303) 233-6083 Fax: (303) 205-9709

Please read **Important Safety Instructions** on reverse before installing!

Tools Required:

- Variable speed drill with #2 Phillips tip
 - Measuring Tape
 - 9/16" and 1/2" wrench & socket
 - #2 Phillips screw driver
 - Pencil
 - Safety Gloves
 - Rubber Gloves
- Other tools may be required:*
- Variable speed right angle drill
 - 1/8" drill bit

Hatchlift Kit Installation Instructions

Lift Door

For Lift applications, support the hatch door open to its desired opening angle between 130-170°

Swing Door

For Swing applications, support the hatch door angle at 90°

Slideout Door

For Slideout applications, support the hatch door angle at 90°

1

Hold the assembly in position ...

... estimate the positioning of the Curved Bracket ...

... with the Lower Bracket best suited for your application ...

... if there are no obstructions, proceed with the installation!

Caution! Check for adequate door/wall depth before drilling or attaching any components.

3

Standard, Medium, Large, and Heavy Doors

Measure 4" from the top edge for a lift door

Measure 4" from the side for a swing door

Small Doors

Measure 0"-2" from the top edge for a lift door and 0"-2" for a swing door *If necessary, trim corner of Plate with tin snips*

4

Trace the outside of the Mounting Plate

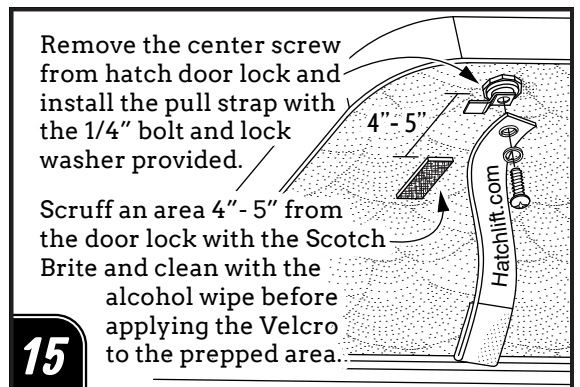
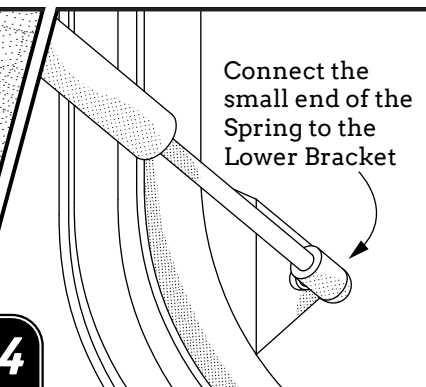
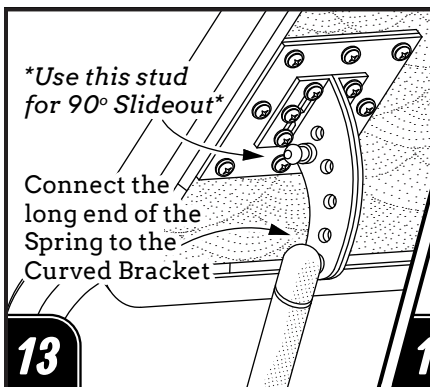
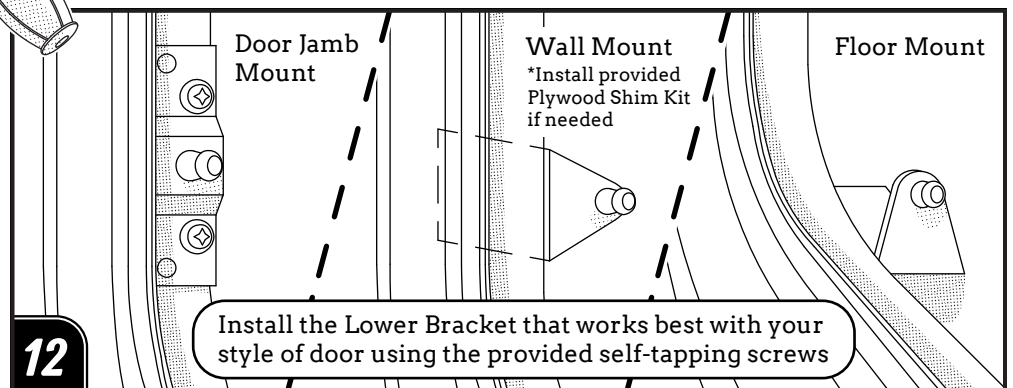
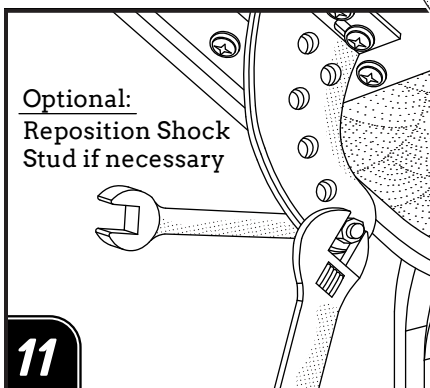
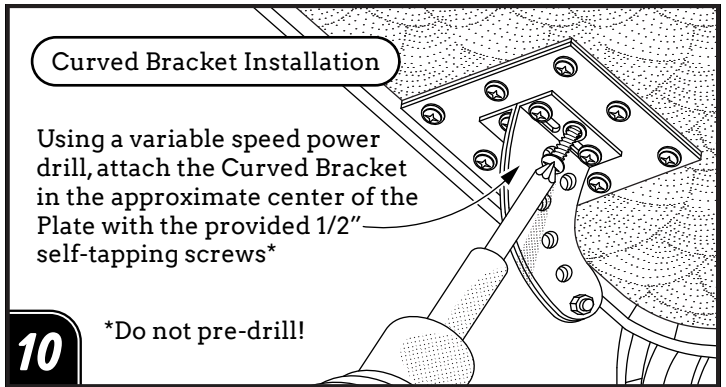
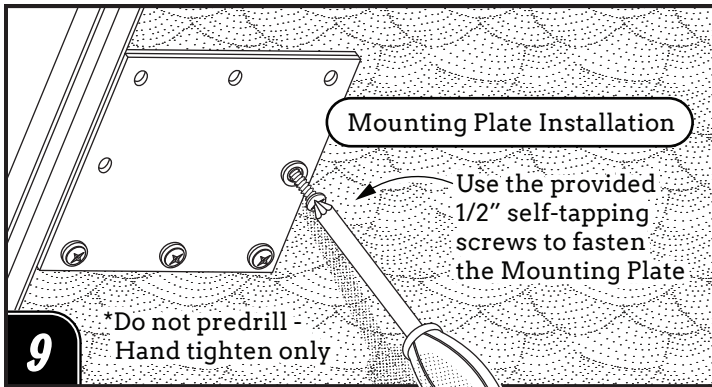
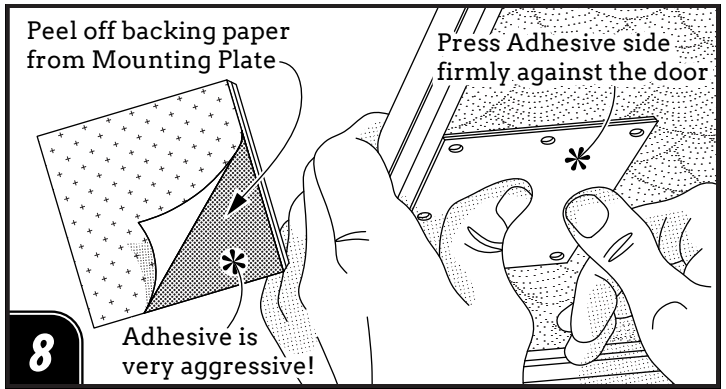
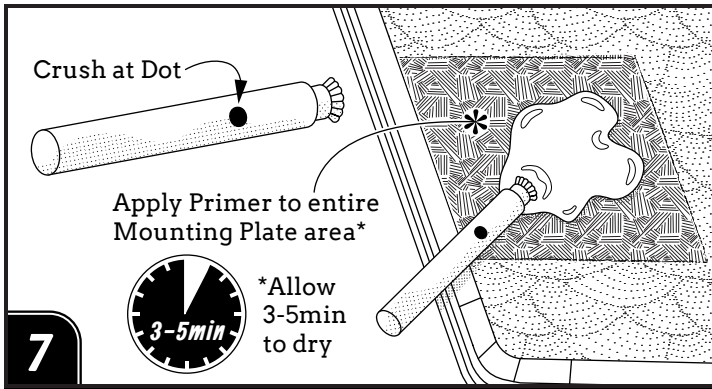
5

Important Step!

Thoroughly scruff the traced area with the Scotch Brite pad *Save scruff pad for later*

6

Clean the scruffed area with the alcohol wipe *Save alcohol wipe for later*



Important Safety Instructions

Installing the Hatchlift Kit includes risk of bodily injury. Wear Safety Glasses while installing the Kit. When cleaning and priming the surface, wear rubber gloves. Be careful while installing the springs and operating the door. Risk of pinching fingers and hands are possible when door is being operated.

When finished, disconnect the spring(s) and allow 48 hours for the mounting plate adhesive to bond with the door

Distributed by Hatchlift, LLC, Denver, Colorado 80215
Copyright © 2011 for HATCHLIFT. All rights reserved
Printed in USA Patent Pending www.hatchlift.com

Warranty: Hatchlift, LLC warrants to buyer for a period of 12 months from the date of purchase that the Hatchlift product will be free from defects in material and workmanship. If within the warranty period, the product is found to be defective, Hatchlift's sole obligation will be to replace the defective product at its option and expense excluding freight charges. Hatchlift, LLC does not warrant any products, accessories, or components not manufactured by Hatchlift, LLC but to the extent possible agrees to provide Buyer with the benefits of the manufacturer warranty, if any. Hatchlift, LLC shall not be liable for any damage to or wear of products caused in whole or part by abnormal conditions, improper application / installation, Hatchlift modification, use, or other causes external to the Hatchlift product.