

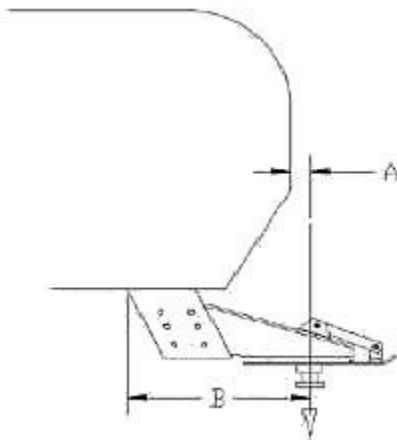
PullRite SuperGlide Hitches

Important Installation Considerations

The SuperGlide hitch for short box trucks is optimally designed for trailers with a King Pin located even with, or ahead of the leading edge of the trailer (measured at the corners of the trailer).

There are many variables that can influence the ability to make a full 90° turn; including the trailer width, trailer profile, radius corners & truck cab profile. In many cases, even if the king pin is located under the trailer, behind the leading edge of the trailer, the *SuperGlide may allow 90° turns - but **NOT IN EVERY CASE.***

If your trailer king pin is behind the trailers leading edge, we recommend you **contact Pullrite Customer Service Department** at (800) 443-2307 with the following measurements;



- a) center of king pin to nose of trailer (see **A** in Diagram)
- b) trailer width
- c) make and model of truck

*Ford F-150 SuperCrew customers will also need to measure from back of the king pin extension to center of the king pin (see **B** in Diagram).*

Ford Owners: The 2004-2005 F-150 truck has bed sides that are 2" higher than other trucks. This may cause bed to trailer clearance problems. PullRite suggests that you investigate these potential problems before installing the hitch.

If you have **any questions** about which SuperGlide will work for you, **please call PullRite Customer Service at 800-443-2307.**