

Congratulations and thank you for purchasing a Theftford product

Owner's & Installation Manual

Contents

Installation	2
Operation	7
Troubleshooting	9
Service Kits.....	27

Contenu

Installation	12
Mode d'emploi	22
Dépannage	26
Ensembles de réparation.....	27

Contenido

Instalación	12
Operación	22
Resolución de problemas	26
Juegos de servicio	27

Model 500 S
Permanent - Direct Mount

Installation

Overview

Follow the instructions below to attach the SANICON® 500s to the RV coach.



Read and understand the warnings listed in this document before you install, operate, or service this system. If you do not obey these warnings there is a risk of property loss, injury, or electrocution. Do not make any changes to this unit as this could result in property damage, injury, or electrocution.

Theftord Corporation accepts no responsibility or liability for damage to equipment, injury, or death that may result from the system's improper installation, service, or operation.

Theftord Corporation recommends that plumbing and electrical work be performed by a licensed tradesperson. Local permit and code compliance is required.

Required Materials (Not Provided)

- Plumbing and End Caps (if necessary)
- Wiring
- Mounting Hardware
- Schedule 30, 40, 80, or DWV rated hard pipe fittings or minimum 10 PSI flexible pipe rating for pressure side of pump.

General Guidelines

Gray water bypass can be achieved by plumbing the discharge line in a manner that gravity can allow liquid to flow to the hose with no upward plumbing.

All systems rely on gravity to move the liquid waste to the pump; therefore, make sure that the pump inlet is mounted *below* the RV holding tank.

Plan the installation so that the pump does not extend beyond the side of the coach.

Each assembly comes with two labels. One label should be placed in the hose compartment; the other should be placed in the Owner's & Installation Manual.

- If black and gray tanks are heated, treat SANICON® Turbo 500s in same manner.
- It is important to plumb hose avoiding sharp angles or bends during use or storage.
- Placement of the hose connection MUST be serviceable by the customer.

Warnings and Cautions

Read and understand the warnings and cautions listed in this document before you install or operate this unit.



Do not make any changes to this unit, as this could result in property damage or injury.

Gray and black water tanks MUST BE COMPLETELY FREE FROM DEBRIS before installing and operating the pump. Failure to comply with this warning could result in a voided product warranty and equipment failure.

Plumbing from pump to storage compartment MUST be plumbed with Schedule 30, 40, 80, or DWV rated hard pipe fittings or minimum 10 PSI flexible pipe rating for pressure side of pump.

The installation site of the pump MUST be able to support a minimum of 30 pounds.

Plan for sufficient clearance under the RV once the SANICON® system is installed. Lowest point of unit MUST be above axles of coach.



The pump is suitable for indoor and outdoor use. The switch box is intended for indoor use only and must be protected against water.

Thermal Cut-Off Switch

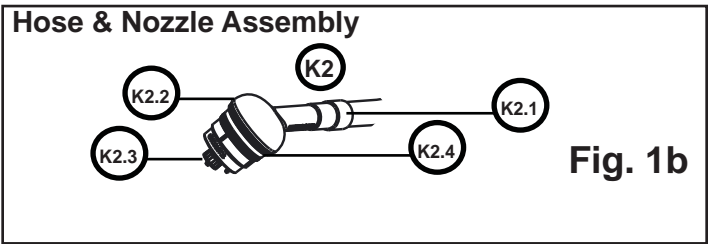
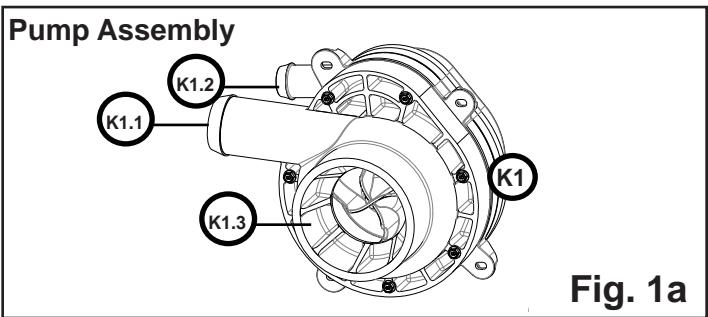
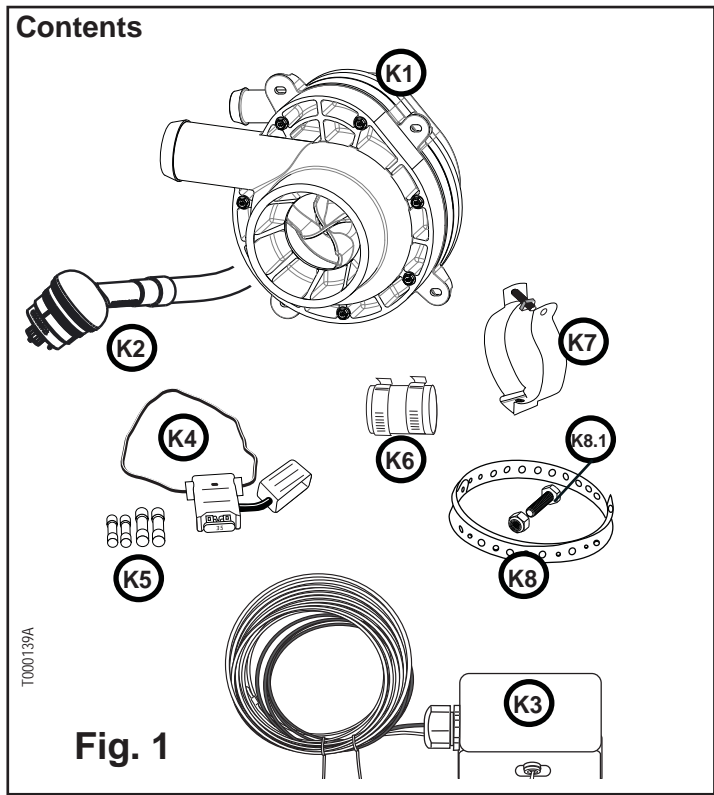
Because SANICON® Turbo pumps are designed for intermittent duty, the pump contains a thermal cut-off switch for your safety. Typical run time is 15-20 minutes of operation before the thermal shut-off switch turns the pump off. After 20 minutes, the thermal cut-off switch will reset and allow the pump to run again.

- If the pump is run immediately after a thermal reset, it will run for approximately five - eight minutes.
- If allowed to cool for several hours it will run the full 20 minutes.

Questions?

If you have any questions or need assistance, please contact Technical Support at 1-800-444-7210, available Monday through Friday 8 a.m. to 6 p.m., Eastern Standard Time.

Orientation



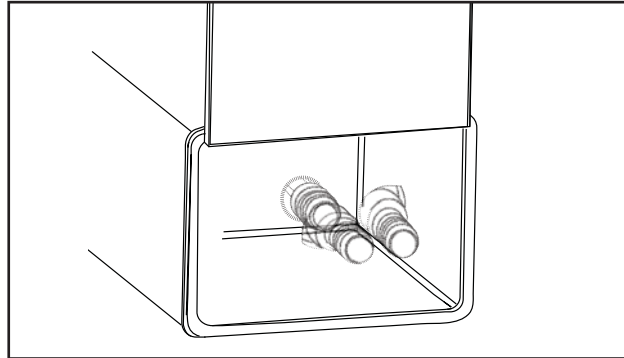
Qty.	Ref.	Description
1x	K1	SANICON® Turbo 500s Assembly - with OT (over-temperature) protected pump K1.1 1.5" Discharge Port K1.2 Wire Lead K1.3 3" Inlet
1x	K2	1.5" Discharge Hose Assembly (One end connects to pump, other end connects to nozzle then RV dump station.) K2.1 Discharge Hose Cuff K2.2 Universal Nozzle K2.3 Small Nozzle Cap K2.4 Large Nozzle Cap
1x	K3	Switch Box / Wiring
1x	K4	Fuse Holder / 35AMP Fuse
2x	K5	Wiring Connectors
1x	K6	3" Rubber Coupling
1x	K7	3.5" Pipe Hanger (4" inner diameter)
1x	K8	(1x) Pipe Strap K8.1 Screw and nut

Hose Barb Planning

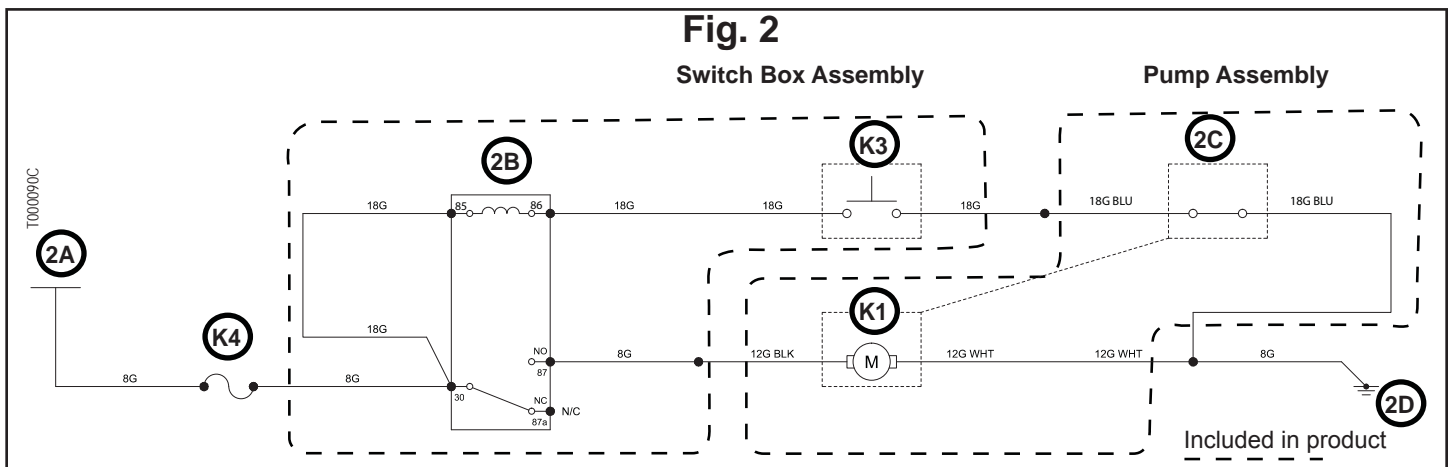
Regardless of installation selection, plan to minimize stress points on the hose.

NOTICE **RECOMMENDATION:** Plumb the hose barb AT OR NEAR BOTTOM of the compartment with the hose barb pointing AWAY from the RV coach.

90° Hose Barb - Plumbed from Bottom, Side, or Back



Electrical Planning



Ref.	Description
K1	Macerator Pump
K3	Macerator Switch
K4	35A Fuse/Breaker
2A	Battery
2B	Relay
2C	Over-Temperature Switch (90°C) normally closed
2D	Ground

NOTICE The positive and negative wires should be braided to prevent radio interference during operation.

CAUTION While the pump is turned on, verify electrical system by measuring voltage at motor; (must be 12V). Improper installation may cause damage to motor or decrease pump efficiency.

Wire Gauge Size Chart

If Wire Gauge for distance from source* is:	0-18 feet (Included)	19-32 Feet	33-50 feet	Circuit Breaker
12 VOLTS - Install	10 Gauge	8 Gauge	6 Gauge	35 amp
* Distance measured assumes power and ground wires				

Fig. 3

Wire Size

Fig. 3 represents recommended wiring configuration. Other wiring configurations are possible based on your installation.

- Wiring configuration MUST include internal over-temperature switch and relay for protection of pump.
- Pump requires a 12-VDC/35 AMP dedicated circuit with 35 AMP breaker or fuse between main bus or battery.
- Wire size is dependent on distance between pump and power source. Actual wire sizes should be calculated according to installation.

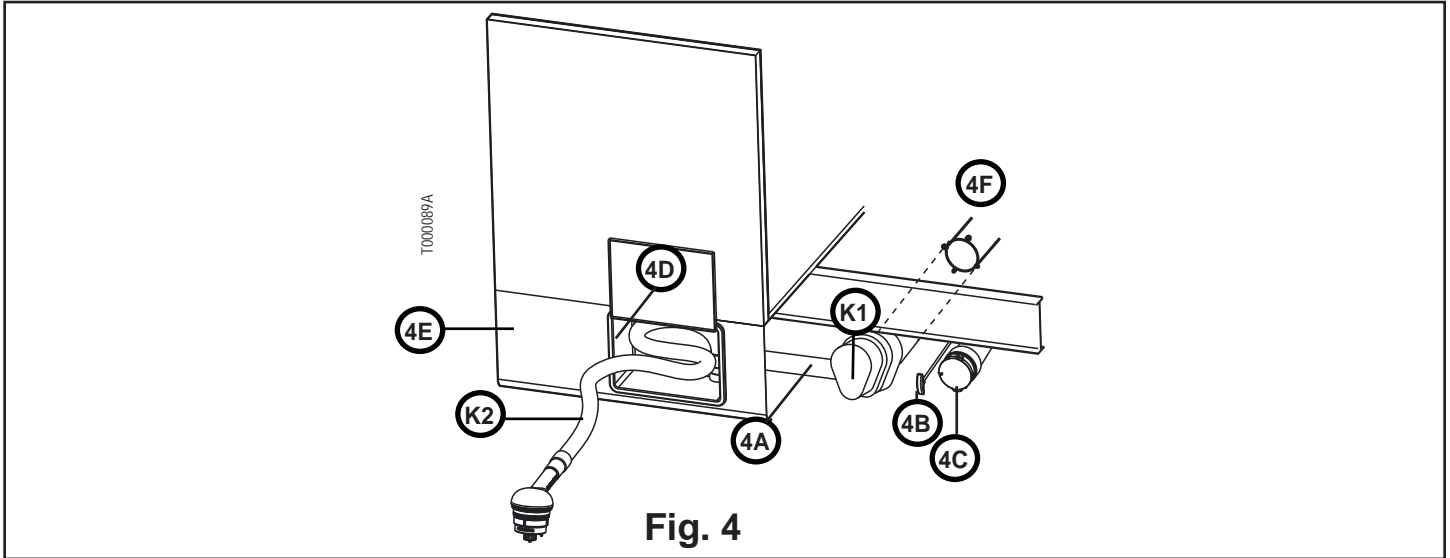


Fig. 4

Ref.	Description
K1	Pump Assembly
K2	1.5" Discharge Hose Assembly (One end connects to plumbing, other end connects to nozzle then RV dump station.)
4A	Plumbing (Hard or flexible pipe) to discharge hose
4B	Gate Valves (black, gray, manual over-ride); number of valves vary according to each coach setup
4C	Bayonet RV Drain (manual over-ride)
4D	Hose Storage Compartment
4E	RV Sidewall
4F	RV Sewer Outlet

Install the Pump

Refer to Fig. 1 and Fig. 4.

NOTICE Recommend Wye or Tee before pump to allow manual over-ride, easy service access, or to dislodge something from the pump.

K1.1 Discharge Port

- 1.25" rubber coupling should be used to connect hard plumbing to discharge port.
- Plumbing should be kept as short as possible to increase pump efficiency.
- Spa hose (sold separately) can be attached directly to the discharge port. A heat gun may be required to install.

K1.3 3" Inlet Port

- Use rubber coupling (K6) to connect pump to sewer outlet on RV.
- Support with 3.5" (4" inner diameter) hanger (K7) 1" from pump inlet and use pipe strap (K8) to attach hanger to RV.

K2.1 Discharge Hose Cuff

- Hose cuff accepts 1.5" hose barb, should be clamped with supplied clamp .
- Hose barb (not supplied) should be securely fastened inside of discharge hose compartment.

Prepare

- Flush all debris from holding tanks.
- Verify that installed unit will not interfere with the operation of the gray and black water RV dump valve handles (4B).
- Verify that installed unit will not extend beyond side wall of coach (4E).

Install

CAUTION Do not cut the plumbing before the gray and black water tie together or before the gate valves

1. Cut back sewer outlet (4F) on the RV just before the bayonet fitting or farther up if the layout allows it.
2. Attach the 3" rubber coupling (K6) to the sewer outlet.
3. Place the 3.5" (4" inner diameter) pipe hanger (K7) over the rubber coupling (K6).
4. Insert the pump (K1) into the rubber coupling (K6) and tighten the hose clamps and pipe hanger.
5. Use fasteners (K8.1) to attach the pipe strap (K8) to the pipe hanger (K7) and fasten the strap to the underside of the RV to support the weight of the pump.
6. Attach plumbing (not provided) (4A) to the pump outlet and route to the hose storage compartment.
 - Plumbing should be kept as short as possible to increase pump efficiency.
 - Grey water bypass can be achieved by plumbing the discharge line in a manner that gravity can allow liquid to flow to the hose with no upward plumbing.
7. Terminate outlet plumbing with a 1.5" hose barb (not provided) inside the hose storage compartment.
8. Attach the hose (K2) and nozzle assembly to the 1.5" hose barb with the supplied clamp.
9. Check system for leaks using water.

Connect Electrical

Refer to Fig. 1.

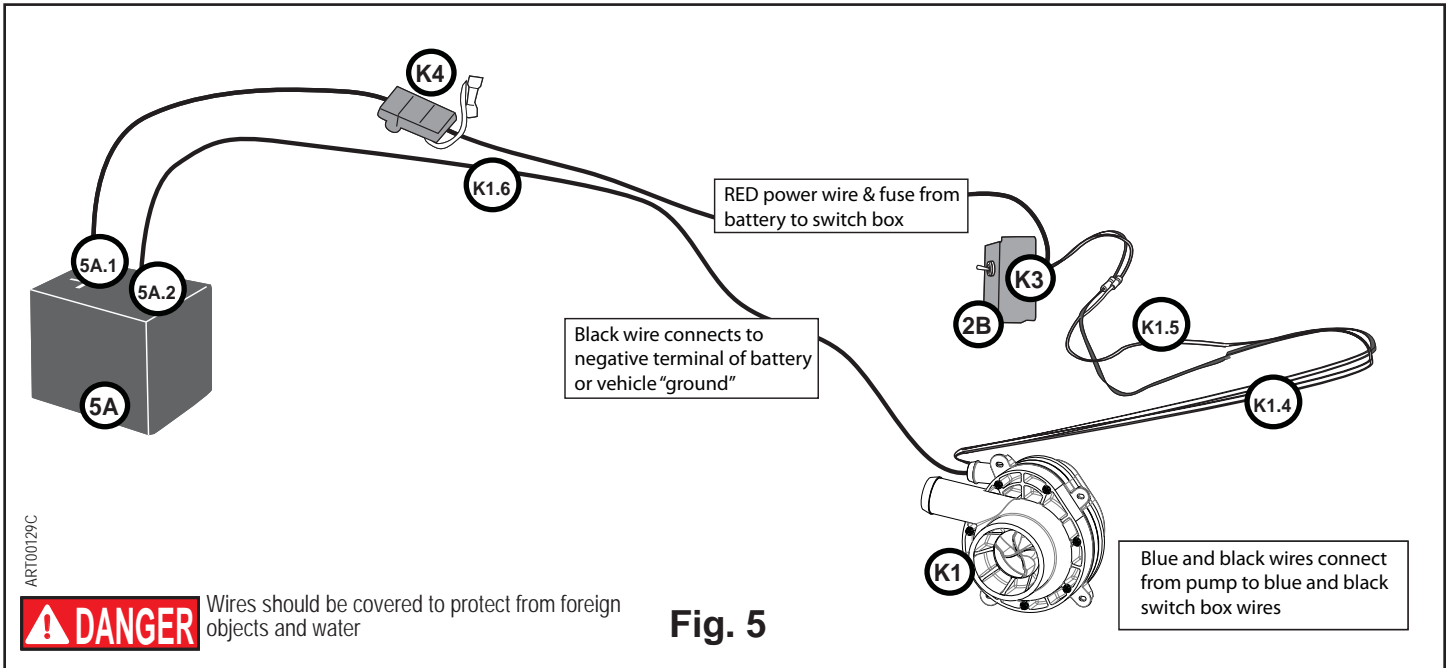


Fig. 5

Ref.	Description
5A	RV Power Source (Battery shown) 5A.1 Positive Battery Terminal 5A.2 Ground Lug / Chassis Ground or negative battery terminal
2B	Relay
K1	Pump Assembly K1.4 Pump Black Wire K1.5 Pump Blue Wire K1.6 Pump Black Wire - Negative (Long Wire)
K3	Switch Box / Wiring K3.1 Switch Box Red Wire
K4	Fuse Holder / 35AMP Fuse

Wire Size

- Wire size is dependent on the distance between the pump and power source. Actual wire sizes should be calculated according to installation. Refer to Fig. 3.
- Excess wire can be cut to length.

Attach the Wires

Refer to Fig. 1 and Fig. 4.

- Locate the power source (battery or other main power source) where the electrical connection will be made.
- Disconnect positive wire(s) to the RV battery (5A).
- Attach the switch box (K3) inside RV compartment (4D).
- Route and connect the black and blue switch box leads to the short black (K1.4) and blue pump (K1.5) leads using supplied electrical connectors. To seal heat shrink connectors, heat the connectors after wires are connected. Connect additional wiring if required.
- Route the long black wire (negative) (K1.6) from the pump assembly (K1) to the battery's (5A) negative terminal, or to a ground lug on the RV, or to an OEM provided chassis ground (5A.2).
- Route the red wire (K3.1) from the switch box (K3) to the fuse holder (K4).
- Crimp one end of the fuse holder to the red wire (K3.1) and attach the other end to the positive battery terminal (5A.1).

NOTICE

The fuse holder (K4) should be mounted within 18" of the power source.

- Protect all the wiring for the SANICON® system with a wire sheath (not provided).
- Reconnect the positive wire(s) that was removed in Step 2 of this procedure to the RV's battery.

Operation

Overview

Congratulations on your purchase of the SANICON® 500S - the cleanest, most sanitary, and convenient way to empty your RV holding tank!



Read and understand the warnings listed in this document before you operate or service this system. If you do not obey these warnings there is a risk of property loss, injury, or electrocution. Do not make any changes to this unit as this could result in property damage, injury, or electrocution.

Thetford Corporation accepts no responsibility or liability for damage to equipment, injury, or death that may result from the system's improper installation, service, or operation.

Thetford Corporation recommends that plumbing and electrical work be performed by a licensed tradesperson. Local permit and code compliance is required.

Cautions and Warnings

Read and understand the warnings and cautions listed in this document before you operate, or service this unit.



Wear appropriate personal protective equipment when using the SANICON® system.



Do not make any changes to this unit, as this could result in property damage or injury.

- **Flush only organic human waste and toilet tissue.** Do not flush non-dissolving articles such as feminine hygiene products, paper towels, or moist towelettes, as this will damage the macerator and will **void your warranty**.
- To avoid pump failure, if you are using an accessory garden hose on the end of the nozzle, make sure that the inner diameter of the hose is .75" (1.9 cm) or greater.

Questions?

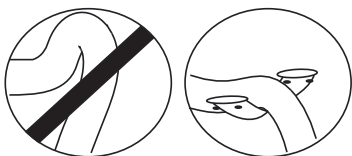
If you have any questions or need assistance, please contact Customer Service at 1-800-543-1219, available Monday through Friday 8 a.m. to 6 p.m., Eastern Standard Time.

NOTICE

Inspect pump connection to the RV annually. Make sure there are no cracks in the rubber coupling and the mounting hardware is secure. Replace when necessary.

NOTICE

To extend the life of the discharge hose (K2), avoid sharp bends and stress at hose cuffs and support the hose within 2"- 5" of cuff (K2.1) when in use.



T000081A

Pump Performance

Performance varies with hose size and length:

Hose & Length	Height	Flow Rate (gal/min)	Minutes to Empty 100 Gallons
SANICON® hose 1.5" x 21'	9'	11.1	9
SANICON® hose 1.5" x 21'	0	18.7	5
SANICON® hose 1.5" x 21' w/ 100' 3/4" garden hose	9'	0.7	143
SANICON® hose 1.5" x 21' w/ 100' 3/4" garden hose	0	3.7	27
SANICON® hose 1.5" x 21' w/ 50' 3/4" garden hose	0	6.2	16



Thermal cut-off will occur after 20 minutes. Refer to "Thermal Cut-Off Switch" discussion.

Attach To Dump Station

Refer to Fig. 1 and Fig. 5.

1. Open hose storage compartment (5D); pull out hose and nozzle with caps (K2); do not disconnect from coach.

NOTICE

Remove cap (K2.4) for full hose extension.

2. Unscrew large nozzle cap (K2.4).
3. Attach universal nozzle (K2.2) to dump station.

Empty Black Water Tank

Refer to Fig. 1 and Fig. 5.

1. ENSURE universal nozzle (K2.2) is securely attached to dump station! Refer to "Attach to Dump Station" procedure.

NOTICE

TIP For Cleaner Storage: Emptying the black water tank first, allows gray water to cleanse the system.

2. Open black water tank gate valve (4B).
3. Use (K3) to turn pump on.
4. Do not leave unit unattended.
5. Use (K3) to turn pump off.

NOTICE

TIP: The hose expands as fluid moves to dump station and contracts when tank is empty.

6. Close black water tank gate valve (4B).

Empty Gray Water Tank(s)

Refer to Fig. 1 and Fig. 4.

1. ENSURE universal nozzle (**K2.2**) is securely attached to dump station! Refer to "Attach to Dump Station" procedure.

NOTICE

TIP For Cleaner Storage: Emptying black water tank first, allows gray water to cleanse the system.

2. Open gray water tank gate valve (**4B**).
3. Use (**K3**) to turn pump on.
4. Do not leave unit unattended.
5. Use (**K3**) to turn pump off.

NOTICE

TIP: The hose expands as fluid moves to dump station and contracts when tank is empty.

6. Close gray water tank gate valve (**4B**).
7. Repeat Steps 2-6 for secondary gray tanks.

NOTICE

Gray water bypass is possible if the discharge plumbing does not flow upward.

Prepare Hose For Storage

Refer to Fig. 1 and Fig. 4.

1. Ensure pump is off.
2. Drain hose (**K2**) by holding at a sloped angle to direct excess water into the dump station.

NOTICE

TIP For Faster Draining: Leave gray gate valve (**4B**) open allowing hose to vent and expediting the process.

3. Disconnect nozzle (**K2.2**) from dump station.
4. Install cap(s) (**K2.3, K2.4**).
5. Return hose to coach hose compartment (**4D**); leave hose connected to coach.

Helpful Hints

- Additional hoses can be purchased from Thetford and used to extend the length of the discharge hose. Connect the hoses using 1.5" (3.8 cm) barbed coupling with clamp.
- If you wish to extend the discharge hose, connect a .75" (1.9 cm) inner diameter garden hose to the end of the nozzle.

NOTICE

A longer discharge hose reduces flow rate.

- Before storing the hose, make sure that all liquid has drained from the hose.

NOTICE

Gray water bypass is possible if the discharge plumbing does not flow upward.

Obstruction Removal

Refer to Fig. 1 and Fig. 4.

NOTICE

Be sure to have container available for capturing system fluid!

1. Ensure all contents have been drained from system. If manual over-ride (**4C**) has been installed, follow the Manual Over-ride process.

! DANGER

Turn off power and remove pump fuse. Once the obstruction is removed, there is potential injury to hands or fingers in the path of the impeller if the power is on!

2. Disconnect the power by removing the pump fuse or disconnecting the battery.
3. Verify all gate valves (**4B**) are closed.
4. Locate 3" rubber coupling (**K6**) and loosen the hose clamp closest to the pump. The 3.5" pipe hanger (**K7**) may need to be loosened.

NOTICE

Plumbing from the discharge port (**K1.1**) may need to be disconnected.

5. Remove the pump from the 3" rubber coupling (**K6**).

! DANGER

Do NOT remove pump housing. Obstruction MUST be removed through inlet.

6. Remove the obstruction.
7. Insert the pump inlet into 3" rubber coupling (**K6**) and tighten hose clamp.
8. Check 3.5" (4" inner diameter) pipe hanger (**K7**); tighten if loose.
9. Ensure manual over-ride bypass gate valve (**4C**) is closed; reattach bayonet cap.
10. Reconnect the power.
11. Operate system using gray water; check for leaks.

Manual Over-ride (Optional)

Refer to Fig. 1 and Fig. 4.

NOTICE

Optional installation. May not be installed on your unit.

1. Locate manual over-ride connection (**4C**); remove bayonet cap.
2. Connect 3" sewer hose (not supplied): one end to (**4C**), other end to dump station.
3. Open manual over-ride gate valve (**4C**).
4. Open black water gate valve (**4B**); allow contents to drain.
5. Close black water gate valve.
6. Open gray water gate valve; allow contents to drain.
7. Close gray water gate valve.
8. Close manual over-ride gate valve.
9. Disconnect and clean sewer hose.
10. Install manual over-ride bayonet cap (**4C**).

Winterizing

Refer to Fig. 1 and Fig. 4.

1. Ensure all tanks are empty.
2. Pour RV antifreeze into the empty black water tank.

NOTICE

Be sure to have container available for capturing system fluid!

3. Turn on pump.
4. Run pump until the antifreeze begins to discharge from universal nozzle (**K2.2**).
5. Turn pump switch to the Off position.
6. Drain hose (**K2**) by holding at a sloped angle to remove excess water; return hose to storage position.

Troubleshooting

Problem	Solution
Waste discharge pressure stops or decreases dramatically.	<ul style="list-style-type: none"> ■ Are the holding tanks empty? ■ With pump on, look for location where hose expansion differs; check for obstruction at that point. ■ Turn the pump switch to the Off position: <ul style="list-style-type: none"> ■ TO CHECK FOR OBSTRUCTION IN HOSE (K2): Visually check for foreign matter lodged in the hose by running your hand along hose. ■ TO CHECK FOR OBSTRUCTION IN IMPELLER: Refer to "Obstruction Removal" section. ■ Failure to clear a clog could cause damage to the pump, which will void the warranty.
The pump operates, but no liquid is expelled.	<ul style="list-style-type: none"> ■ Are the holding tanks empty? ■ Check that the RV gate valves are open. ■ Pump may be clogged.
The motor will not run.	<p>Make sure:</p> <ul style="list-style-type: none"> ■ Pump is turned on. ■ RV battery is charged. ■ Circuit breaker/fuse is functioning. ■ Pump is receiving voltage. ■ Foreign object is not preventing impeller operation.
The pump turns off on its own.	<ul style="list-style-type: none"> ■ See "Thermal Cut-Off Switch" topic in this document.
How do I disassemble the system to check for an object lodged in the pump?	<ul style="list-style-type: none"> ■ Refer to "Obstruction Removal" topic in this document.

Warranty

For defined warranty terms, review the one-page warranty statement - see www.thetford.com.

NOTICE

Please give Serial Number (located on the pump or manual sticker) for calls to customer service and warranty issues.



Félicitations et merci d'avoir choisi un produit Thetford.
Felicidades y gracias por adquirir un producto Thetford.

Manuel de l'utilisateur

Contenu

Installation	12
Mode d'emploi	22
Dépannage	26
Ensembles de réparation.....	27

Manual del propietario

Contenido

Instalación	12
Operación	22
Resolución de problemas.....	26
Juegos de servicio.....	27

Modèle 500 S
À montage direct permanent
Modelo 500 S
Montaje directo permanente

Installation

Aperçu

Suivez les directives ci-dessous pour fixer le système SANICON® 500 à votre VR.



Prenez connaissance des avertissements et des mises en garde figurant dans ce document avant d'installer, d'utiliser ou d'entretenir ce système. Ignorer ces avertissements peut conduire à des pertes matérielles, des blessures ou une électrocution. N'apportez aucune modification à cette unité au risque de causer des dommages matériels, des blessures ou une électrocution.

Thetford Corporation décline toute responsabilité en cas de dommages matériels, blessures ou décès découlant d'une installation, d'une réparation ou d'une utilisation incorrecte de ce système.

Thetford Corporation recommande que les travaux de plomberie et d'électricité soient exécutés par un professionnel muni d'une licence. Un permis local et le respect du code sont exigés.

Matériel requis (non fourni)

- Tuyauterie et bouchons (si nécessaires)
- Câblage
- Quincaillerie de montage
- Raccords de tuyau rigide de catégorie 30, 40, 80 ou de drain, ou tuyau flexible d'une résistance nominale d'au moins 10 psi (69 kPa) du côté pressurisé de la pompe.

Directives générales

Une dérivation des eaux grises peut être réalisée en plaçant le tuyau d'évacuation de sorte que le liquide s'écoule par gravité vers le tuyau sans qu'aucune partie ne force l'eau à remonter.

Pour tous les systèmes, les déchets liquides descendent par gravité jusqu'à la pompe. Par conséquent, veillez à ce que l'entrée de la pompe soit placée *en dessous* du réservoir d'eaux usées du VR.

Planifiez l'installation de sorte que la pompe ne dépasse pas la paroi extérieure du véhicule.

Chaque ensemble s'accompagne de deux étiquettes. L'une doit être placée dans le compartiment du tuyau, l'autre dans le Manuel de l'utilisateur.

- Si les réservoirs d'eaux noires et d'eaux grises sont chauffés, traitez le système SANICON® Turbo 500s de la même manière.
- Il est important de raccorder le tuyau de manière à éviter les angles brusques ou les plis serrés lors de l'utilisation ou du rangement.
- Les raccords de tuyauterie DOIVENT être disposés de manière à être accessibles par le client.

Instalación

Introducción

Siga las instrucciones a continuación para instalar el sistema SANICON® 500s en el vehículo de recreo.



Lea y comprenda las advertencias contenidas en este documento antes de instalar, hacer funcionar o dar mantenimiento a este sistema. El incumplimiento de estas advertencias dará lugar a riesgos de pérdidas materiales, lesiones o electrocución. No modifique de ninguna manera esta unidad pues, de hacerlo, podría ocasionar daños materiales, lesiones o electrocución.

Thetford Corporation no admite ninguna obligación o responsabilidad por daño al equipo, lesiones o muerte que pudieran ser causados por la instalación, la reparación o el manejo incorrectos de este sistema.

Thetford Corporation recomienda que los trabajos eléctricos y de plomería sean realizados por personal con licencia. Se debe cumplir con los códigos y permisos municipales.

Materiales necesarios (no se suministran)

- Tubería y tapas terminales (de ser necesario)
- Cableado
- Piezas de montaje
- Conectores de tubería dura tipo DWV o cédula 30, 40 u 80, o tubería flexible o con capacidad nominal de 10 psi (69 kPa) mínimo para el lado a presión de la bomba.

Pautas generales

Es posible derivar las aguas grises si se instala la tubería de descarga de manera que el líquido pueda fluir por gravedad hacia la manguera, sin flujos ascendentes.

Todos los sistemas dependen de la gravedad para poder desplazar los desechos líquidos hasta la bomba; por tal motivo, compruebe que la entrada de la bomba esté montada *por debajo* del tanque de retención del vehículo de recreo.

Planifique la instalación de manera que la bomba no sobresalga del lado del vehículo.

Cada conjunto se suministra con dos etiquetas: Una etiqueta debe colocarse en el compartimiento de la manguera; la otra, en el Manual de instalación y uso.

- En caso de tanques de aguas negras y grises con calentamiento, trate el sistema SANICON® Turbo 500s del mismo modo.
- Es importante evitar dobleces o ángulos agudos en la manguera, ya sea durante el uso o el almacenamiento.
- La conexión de la manguera TIENE QUE estar ubicada en un lugar accesible para que el cliente le dé mantenimiento.

Avertissements et mises en garde

Prenez connaissance des avertissements et des mises en garde figurant dans ce document avant d'installer ou d'utiliser cette unité.



N'apportez aucune modification à cette unité au risque de causer des dommages matériels ou des blessures.

Les réservoirs d'eaux grises et d'eaux noires DOIVENT ÊTRE COMPLÈTEMENT LIBRES DE DÉBRIS avant d'installer et d'utiliser la pompe. Négliger cet avertissement peut conduire à l'annulation de la garantie du produit et entraîner des défauts.

La tuyauterie entre la pompe et le compartiment du réservoir DOIT utiliser des raccords de tuyau rigide de catégorie 30, 40, 80 ou de drain, ou du tuyau flexible d'une résistance nominale d'au moins 10 psi (69 kPa) du côté pressurisé de la pompe.

Le site d'installation de la pompe DOIT pouvoir supporter au moins 14 kg.

Prévoyez suffisamment d'espace sous le VR une fois le système SANICON® installé. Le point le plus bas de l'unité DOIT être situé au-dessus des essieux du véhicule.



La pompe convient à une utilisation à l'intérieur et à l'extérieur. La boîte d'interrupteur ne convient qu'à une utilisation à l'intérieur et doit être correctement protégée de l'eau.

Interrupteur thermique

Puisque les pompes SANICON® Turbo sont conçues pour une utilisation intermittente, elles comportent un interrupteur thermique pour votre sécurité. Le temps de fonctionnement est habituellement de 15 à 20 minutes avant que l'interrupteur thermique n'arrête la pompe. Après 20 minutes, l'interrupteur thermique se réenclenchera, permettant à la pompe de fonctionner de nouveau.

- Si la pompe est remise en marche immédiatement après le réenclenchement de l'interrupteur thermique, elle fonctionnera environ 5 à 8 minutes.
- Si on la laisse refroidir quelques heures, elle pourra fonctionner durant les 20 minutes complètes.

Des questions?

Pour toute question ou assistance, veuillez contacter le Service technique au 1-800-444-7210, du lundi au vendredi, de 8 h à 18 h, Heure normale de l'Est.

Advertencias y precauciones

Lea y entienda las advertencias y precauciones contenidas en este documento antes de instalar o de hacer funcionar esta unidad.



No modifique de manera alguna esta unidad; de hacerlo, podría ocasionar daños materiales o lesiones.

Los tanques de aguas grises y negras TIENEN QUE ESTAR COMPLETAMENTE LIBRES DE SUCIEDAD antes de instalar la bomba y de ponerla a funcionar. El incumplimiento de esta advertencia podría anular la garantía del producto y ocasionar la falla del equipo.

La instalación de la tubería de la bomba al compartimento de almacenamiento TIENE QUE hacerse con conectores de tubería dura tipo DWV o cédula 30, 40 u 80, o tubería flexible o con capacidad nominal de 10 psi (69 kPa) mínimo para el lado a presión de la bomba.

El lugar de instalación de la bomba TIENE QUE poder aguantar una carga mínima de 30 libras (14 kg).

Tome previsiones para que haya suficiente espacio debajo del vehículo de recreo una vez que el sistema SANICON® esté instalado. El punto más bajo de la unidad TIENE QUE estar por encima de los ejes del vehículo.



La bomba es apta para uso bajo techo y al aire libre. La caja de interruptor es apta únicamente para uso bajo techo y tiene que estar protegida contra el agua.

Interruptor de corte térmico

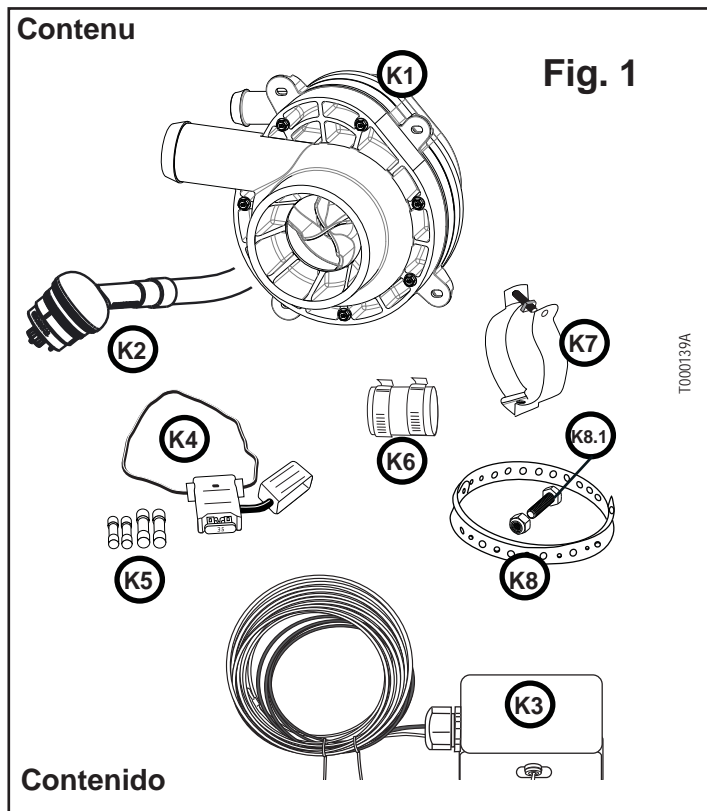
Ya que las bombas SANICON® Turbo están diseñadas para un funcionamiento intermitente, la bomba contiene un interruptor de corte térmico como mecanismo de seguridad. La bomba funciona generalmente por un tiempo de 15-20 minutos antes de que el interruptor de corte térmico la apague. Al cabo de 20 minutos, el interruptor de corte térmico se reinicia y permite que la bomba vuelva a funcionar.

- Si se activa la bomba inmediatamente después de un reinicio térmico, funcionará durante aproximadamente 5-8 minutos.
- Si se la deja enfriar durante varias horas, funcionará los 20 minutos completos.

¿Preguntas?

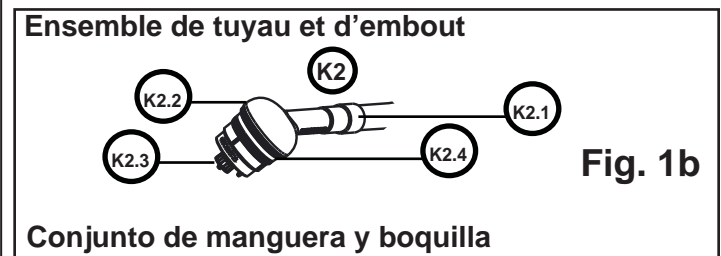
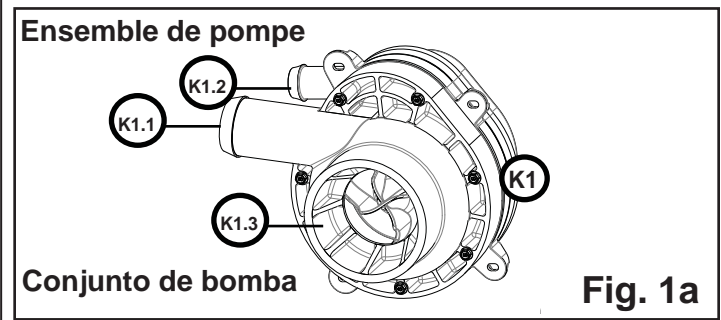
Si tiene preguntas o necesita ayuda, llame al Departamento de Soporte Técnico al teléfono 1-800-444-7210 de lunes a viernes de 8 a. m. a 6 p. m. (hora del Este de Estados Unidos).

Aperçu



T000139A

Orientación



Qté	Réf.	Description
1x	K1	Ensemble SANICON® Turbo 500s - avec pompe protégée contre la surchauffe K1.1 Raccord de sortie de 3,8 cm K1.2 Fil conducteur K1.3 Entrée de 7,6 cm
1x	K2	Ensemble de tuyau de sortie de 3,8 cm (une extrémité se raccorde à la pompe, l'autre à l'embout et à la station de vidange du VR) K2.1 Manchon du tuyau d'évacuation K2.2 Embout universel K2.3 Capuchon de petit embout K2.4 Capuchon de grand embout
1x	K3	Boîtier d'interrupteur/câblage
1x	K4	Porte-fusible/fusible de 35 ampères
2x	K5	Connecteurs électriques
1x	K6	Raccord en caoutchouc de 7,6 cm
1x	K7	Support à tuyau de 8,9 cm (10 cm diamètre intérieur)
1x	K8	(1x) Sangle à tuyau K8.1 Vis et écrou

Cant.	Ref.	Descripción
1x	K1	Conjunto de SANICON® Turbo 500s: con bomba con protección térmica K1.1 Orificio de descarga de 1.5 pulg. (3.8 cm) K1.2 Cable de conexión K1.3 Entrada de 3 pulg. (7.6 cm)
1x	K2	Conjunto de manguera de descarga de 1.5 pulg. (3.8 cm) (un extremo se conecta a la bomba; el otro se conecta a la boquilla y de ahí a la estación de vaciado del vehículo de recreo). K2.1 Manguito de la manguera de descarga K2.2 Boquilla universal K2.3 Tapa de boquilla pequeña K2.4 Tapa de boquilla grande
1x	K3	Caja del interruptor / Cableado
1x	K4	Portafusibles / Fusible de 35 A
2x	K5	Conectores de cableado
1x	K6	Acoplamiento de caucho de 3 pulg. (7.6 cm)
1x	K7	Colgador de tubo de 3.5 pulg. (8.9 cm) (diámetro interno: 4 pulg./10 cm)
1x	K8	(1x) Correa de tubo K8.1 Tornillo y tuerca

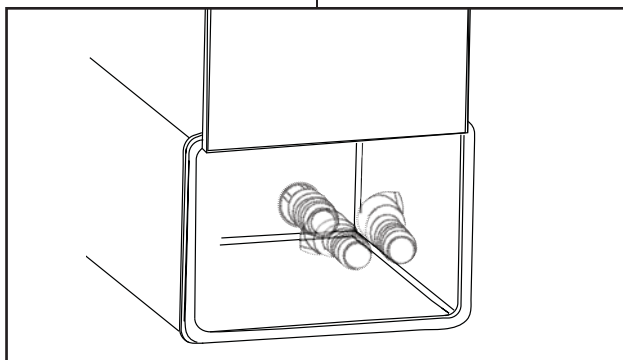
Planification du raccord de tuyau

Quelle que soit l'installation choisie, minimisez les points de tension sur le tuyau.

AVIS

CONSEIL : Installez le raccord de tuyau **DANS LE BAS OU PRÈS DU BAS** du compartiment, en le pointant vers l'**EXTÉRIEUR** du VR.

Raccord de tuyau de 90° - Installé dans le fond, le côté ou l'arrière



Instalación de conectores de manguera

Sea cual fuere el lugar de la instalación, planifique reducir a un mínimo los puntos de esfuerzo en la manguera.

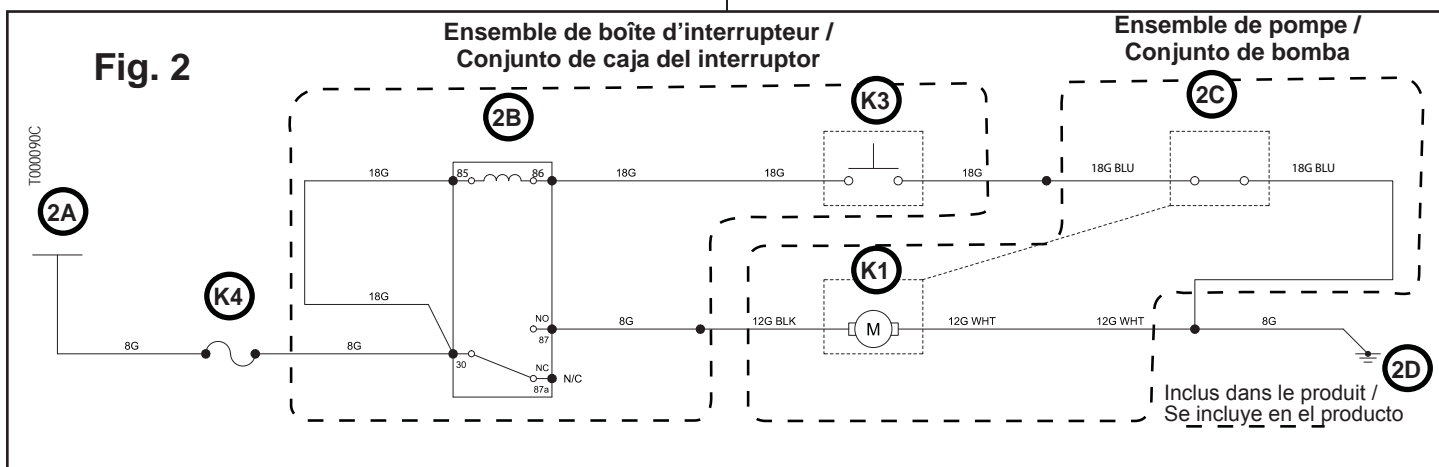
AVISO

RECOMENDACIÓN: Instale el conector de manguera **EN O CERCA DEL FONDO** del compartimiento, con el conector de manguera apuntando en dirección **OPUESTA** al vehículo de recreo.

Conector de manguera de 90° (instalado desde el fondo, del lado o desde atrás)

Branchements électriques

Instalación eléctrica



Réf.	Description
K1	Pompe à macération
K3	Interrupteur du macérateur
K4	Fusible / Disjoncteur - 35 A
2A	Batterie
2B	Relais
2C	Interrupteur de surchauffe (90 °C) normalement fermé
2D	Masse

Ref.	Descripción
K1	Bomba de maceración
K3	Interruptor del macerador
K4	Interruptor automático/Fusible de 35 A
2A	Batería
2B	Relé
2C	Interruptor térmico (90 °C) normalmente cerrado
2D	Tierra

AVIS

Les fils positif et négatif doivent être tressés afin de réduire les interférences radio lors du fonctionnement.



Lorsque la pompe est en marche, vérifiez le circuit électrique en mesurant la tension du moteur (elle doit être de 12 V). Une installation incorrecte peut endommager le moteur ou réduire l'efficacité de la pompe.

AVISO

Los cables positivos y negativos deben estar trenzados a fin de evitar las interferencias radioeléctricas durante el funcionamiento.



Al encender la bomba, mida el voltaje en el motor (debe ser de 12 V) para así comprobar el sistema eléctrico. Una instalación incorrecta podría dañar el motor o reducir la eficiencia de la bomba.

Tableau de calibre des fils

Calibre du fil d'après la distance de la source* :	de 0 à 5,9 m inclusivement	de 6 à 9,9 m	de 10 à 15 m	Disjoncteur
Installation – 12 VOLTS	Calibre 10	Calibre 8	Calibre 6	35 A
* La distance mesurée suppose deux fils, l'alimentation et la masse.				

Fig. 3

Calibre des fils

La **Fig. 3** représente la configuration de câblage recommandée. D'autres configurations sont possibles selon votre installation.

- La configuration du câblage DOIT comprendre un interrupteur de surchauffe et un relais pour protéger la pompe.
- La pompe exige un circuit réservé de 12 V c.c./35 A avec un disjoncteur ou fusible de 35 A entre la barre d'alimentation principale ou la batterie.
- Le calibre des fils dépend de la distance entre la pompe et la source d'alimentation. Le calibre réel des fils doit être calculé en fonction de l'installation.

Tabla de calibre de los cables

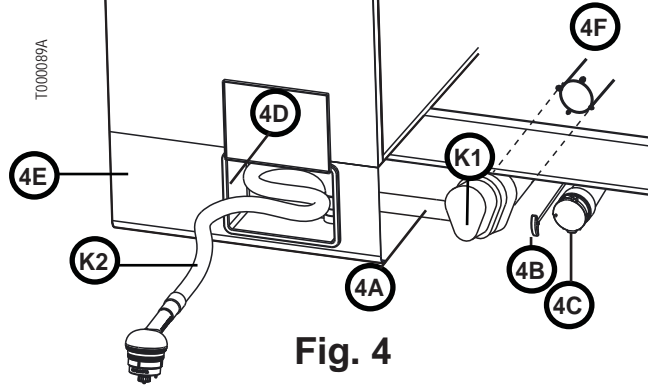
Si el calibre del cable para la distancia a la fuente* es:	0-18 pies (0-5.9 m) (incluido)	19-32 pies (6-9.9 m)	33-50 pies (10-15 m)	Interruptor automático
12 VOLTIOS - Instalar	Calibre 10	Calibre 8	Calibre 6	35 A
* La distancia medida supone cables de alimentación eléctrica y de conexión a tierra.				

Fig. 3

Tamaño de los cables

La **Fig. 3** muestra la configuración de cableado recomendada. Según la instalación, existen otras posibilidades de cableado.

- La configuración de cableado TIENE QUE incluir un relé e interruptor térmico interno para proteger la bomba contra un exceso de temperatura.
- La bomba requiere un circuito especial de 12 V CC/35 A con un interruptor automático o fusible de 35 A entre el bus principal o batería.
- El tamaño de los cables dependerá de la distancia entre la bomba y la fuente de alimentación. Los tamaños reales de los cables se deben calcular en función de la instalación.

Ensemble de pompe**Conjunto de bomba****Fig. 4**

Réf.	Description
K1	Ensemble de pompe
K2	Ensemble de tuyau de sortie de 3,8 cm (une extrémité se raccorde à la tuyauterie, l'autre à l'embout et à la station de vidange du VR)
4A	Tuyauterie (rigide ou flexible) vers le tuyau d'évacuation
4B	Robinets de purge (eaux noires, eaux grises, purge manuelle); le nombre de robinets est fonction de la configuration du véhicule
4C	Drain à baïonnette du VR (purge manuelle)
4D	Compartiment de rangement du tuyau
4E	Paroi du VR
4F	Sortie d'évacuation du VR

Ref.	Descripción
K1	Conjunto de bomba
K2	Conjunto de manguera de descarga de 1.5 pulg. (3.8 cm) (un extremo se conecta a la tubería; el otro se conecta a la boquilla y de ahí a la estación de vaciado del vehículo de recreo)
4A	Tubo (duro o flexible) a la manguera de descarga
4B	Válvulas de compuerta (aguas negras, aguas grises, mando manual); la cantidad de válvulas varía según la configuración del vehículo
4C	Drenaje tipo bayoneta del vehículo (mando manual)
4D	Compartimiento de almacenamiento de la manguera
4E	Pared lateral del vehículo de recreo
4F	Salida del desagüe del vehículo de recreo

Installation de la pompe

Reportez-vous aux figures 1 et 4.

AVIS

Il est conseillé de poser un Y ou un T avant la pompe pour permettre une dérivation manuelle ou faciliter l'entretien ou le déblocage de la pompe.

K1.1 Orifice de sortie

- Le manchon en caoutchouc de 3,2 cm doit être raccordé à la tuyauterie fixe de l'orifice de sortie.
- La plomberie doit être la plus courte possible pour accroître l'efficacité de la pompe.
- Le tuyau flexible (vendu séparément) peut être raccordé directement à l'orifice d'évacuation. Un pistolet chauffant peut être nécessaire pour l'installation.

K1.3 Raccord d'entrée de 7,6 cm

- utilisez le manchon en caoutchouc **(K6)** pour raccorder la pompe à la sortie d'évacuation du VR.
- Soutenez le tuyau avec le support de 8,9 cm (de 10 cm de diamètre intérieur) **(K7)** à 2,5 cm de l'entrée de la pompe et utilisez la sangle à tuyau **(K8)** pour fixer le support au VR.

K2.1 Manchon du tuyau d'évacuation

- Le manchon peut accueillir un raccord de tuyau de 3,8 cm, et doit être serré avec le collier fourni.
- Le raccord de tuyau (non fourni) doit être solidement fixé à l'intérieur du compartiment à tuyau.

Préparation

- Éliminez tous les débris des réservoirs d'eaux usées.
- Assurez-vous qu'une fois installée, l'unité ne nuira pas au mouvement des manettes des robinets de purge **(4B)** des eaux grises et des eaux noires du VR.
- Assurez-vous que l'unité, après son installation, ne dépassera pas la paroi extérieure du véhicule **(4E)**.

Installation



Ne coupez pas la plomberie avant la jonction des réservoirs d'eaux grises et d'eaux noires ou avant les robinets de purge.

- Coupez la sortie d'évacuation arrière **(4F)** du VR juste avant le raccord à baïonnette ou plus haut si la disposition le permet.
- Fixez le manchon en caoutchouc de 7,6 cm (3 po) **(K6)** sur l'orifice de sortie du VR.
- Placez le support à tuyau de 8,9 cm (de 10 cm de diamètre intérieur) **(K7)** sur le manchon en caoutchouc **(K6)**.
- Insérez la pompe **(K1)** dans le manchon en caoutchouc **(K6)** et serrez les colliers et le support à tuyau.
- Fixez la sangle à tuyau **(K8)** sur le support à tuyau **(K7)** à l'aide des attaches **(K8.1)** et accrochez la sangle sous le VR pour supporter le poids de la pompe.
- Raccordez la tuyauterie (non fournie) **(4A)** à la sortie de la pompe et acheminez le tuyau jusqu'au compartiment de rangement.

Instalar la bomba

Consulte las figuras 1 y 4.

AVISO

Se recomienda una conexión "T" o "Y" antes de la bomba, que facilite el mando manual, el acceso para labores de servicio o la eliminación de obstrucciones de la bomba.

K1.1 Orificio de descarga

- Utilice un acoplamiento de caucho de 1.25 pulg. (3.2 cm) para conectar el tubo rígido al orificio de descarga.
- La tubería debe ser lo más corta posible a fin de aumentar la eficiencia de la bomba.
- Se puede acoplar una manguera de piscina (adquirida por separado) directamente al orificio de descarga. Puede que se requiera una pistola de calor para la instalación.

K1.3 Orificio de entrada de 3 pulg. (7.6 cm)

- Con un acoplamiento de caucho **(K6)**, conecte la bomba a la salida del desagüe del vehículo de recreo.
- Para dar soporte, instale un colgador de 3.5 pulg. (8.9 cm) (diámetro interno: 4 pulg./10 cm) **(K7)** a 1 pulg. (2.5 cm) de la entrada de la bomba; con una correa de tubos **(K8)**, conecte el colgador al vehículo de recreo.

K2.1 Manguito de la manguera de descarga

- El manguito de la manguera acepta un conector de manguera de 1.5 pulg. (3.8 cm); debe afianzarse con la abrazadera suministrada.
- El conector de manguera (no suministrado) debe estar bien sujeto dentro del compartimiento de la manguera de descarga.

Preparar

- Descargue todos los residuos de los tanques de retención.
- Verifique que la unidad instalada no vaya a estorbar el funcionamiento de las manijas de la válvula de vaciado de aguas negras y grises del vehículo de recreo **(4B)**.
- Verifique que la unidad instalada no sobresaldrá de la pared lateral del vehículo **(4E)**.

Instalación



No corte los tubos antes de la unión de las aguas grises y negras o antes de las válvulas de compuerta.

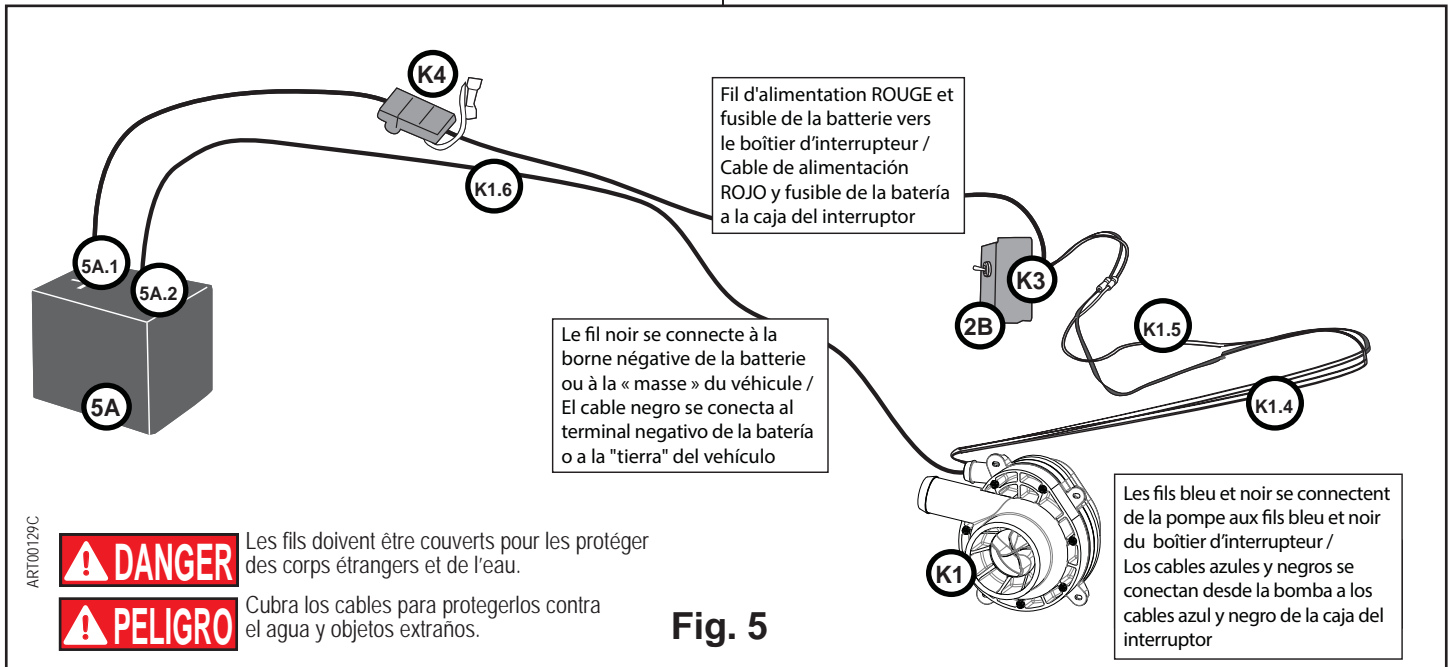
- Corte la tubería de salida del desagüe posterior **(4F)** del vehículo de recreo justo antes del adaptador de bayoneta (o más allá, si lo permite la configuración).
- Conecte el acoplamiento de caucho de 3 pulg. (7.6 cm) **(K6)** a la salida del desagüe.
- Coloque el colgador de tubos de 3.5 pulg. (8.9 cm) (diámetro interno: 4 pulg./10 cm) **(K7)** sobre el acoplamiento de caucho **(K6)**.
- Inserte la bomba **(K1)** en el acoplamiento de caucho **(K6)** y apriete las abrazaderas de manguera y el colgador de tubos.
- Con el tornillo y la tuerca **(K8.1)**, sujete la correa de tubo **(K8)** al colgador de tubo **(K7)** y sujete la correa al lado inferior del vehículo de recreo para que soporte el peso de la bomba.

- La plomberie doit être la plus courte possible pour accroître l'efficacité de la pompe.
 - Une dérivation des eaux grises peut être réalisée en plaçant le tuyau d'évacuation de sorte que le liquide s'écoule par gravité vers le tuyau sans qu'aucune partie ne force l'eau à remonter.
7. Terminez la tuyauterie d'évacuation par un raccord cannelé de 3,8 cm (non fourni) à l'intérieur du compartiment de rangement du tuyau.
 8. Fixez l'ensemble de tuyau (**K2**) et d'embout sur le raccord cannelé de 3,8 cm avec le collier fourni.
 9. Vérifiez que le système ne comporte aucune fuite.

6. Conecte la tubería (no suministrada) (**4A**) a la salida de la bomba y dirijala hacia el compartimiento de almacenamiento de la manguera.
 - La tubería debe ser lo más corta posible a fin de aumentar la eficiencia de la bomba.
 - Es posible derivar las aguas grises si se instala la tubería de descarga de una manera que la gravedad permita el flujo del líquido hacia la manguera, sin flujos ascendentes.
7. Termine la tubería de salida con un conector de manguera de 1.5 pulg. (3.8 cm) (no suministrado) dentro del compartimiento de la manguera.
8. Conecte el conjunto de la manguera (**K2**) y la boquilla al conector de manguera de 1.5 pulg. (3.8 cm) con la abrazadera suministrada.
9. Compruebe que no haya fugas de agua en el sistema.

Branchements électriques

Conexiones eléctricas



Réf.	Description
5A	Source d'alimentation du VR (batterie illustrée) 5A.1 Borne positive de la batterie 5A.2 Prise/raccord de masse au châssis ou borne négative de la batterie
2B	Relais
K1	Ensemble de pompe K1.4 Fil noir de la pompe K1.5 Fil bleu de la pompe K1.6 Fil noir de la pompe – négatif (fil long)
K3	Boîtier d'interrupteur/câblage K3.1 Fil rouge du boîtier d'interrupteur
K4	Porte-fusible/fusible de 35 ampères

Ref.	Descripción
5A	Fuente de alimentación del vehículo de recreo (se muestra la batería) 5A.1 Terminal positivo de la batería 5A.2 Terminal de tierra / tierra de chasis o terminal negativo de la batería
2B	Relé
K1	Conjunto de bomba K1.4 Cable negro de la bomba K1.5 Cable azul de la bomba K1.6 Cable negro de la bomba - negativo (cable largo)
K3	Caja del interruptor / Cableado K3.1 Cable rojo de la caja del interruptor
K4	Portafusibles / Fusible de 35 A

Calibre des fils

- Le calibre des fils dépend de la distance entre la pompe et la source d'alimentation. Le calibre réel des fils doit être calculé en fonction de l'installation. Reportez-vous à la Fig. 3.
- L'excédent de fil peut être coupé à la bonne longueur.

Branchement des fils

Reportez-vous aux figures 1 et 4.

1. Localisez la source d'alimentation (batterie ou source principale) à laquelle la connexion électrique sera faite.
2. Débranchez le ou les fils positifs de la batterie du VR **(5A)**.
3. Fixez le boîtier d'interrupteur **(K3)** à l'intérieur du compartiment du VR **(4D)**.
4. Acheminez et connectez les fils noir et bleu du boîtier d'interrupteur aux fils courts noir **(K1.4)** et bleu de la pompe **(K1.5)** à l'aide des connecteurs électriques fournis. Pour étanchéifier les connecteurs thermorétractables, chauffez-les après avoir connecté les fils. Effectuez les autres branchements nécessaires.
5. Acheminez le long fil noir (négatif) **(K1.6)** de l'ensemble de pompe **(K1)** à la borne négative de la batterie **(5A)**, ou à une prise de masse du VR, ou encore à une prise de masse du châssis **(5A.2)** fournie par le fabricant d'origine.
6. Acheminez le fil rouge **(K3.1)** du boîtier d'interrupteur **(K3)** au porte-fusible **(K4)**.
7. Sertissez une extrémité du porte-fusible sur le fil rouge **(K3.1)** et fixez l'autre extrémité à la borne positive de la batterie **(5A.1)**.

AVIS

Le porte-fusible **(K4)** doit être fixé à moins de 46 cm de la source de courant.

8. Protégez les fils du système SANICON® au moyen d'une gaine (non fournie).
9. Rebranchez le ou les fils positifs déconnectés à l'étape 2 de cette procédure sur la batterie du VR.

Tamaño de los cables

- El tamaño de los cables dependerá de la distancia entre la bomba y la fuente de alimentación. Los tamaños reales de los cables se deben calcular en función de la instalación. Consulte la Fig. 3.
- Se puede cortar el exceso de cable.

Conectar los cables

Consulte las figuras 1 y 4.

1. Ubique la fuente de alimentación (batería u otra fuente de alimentación principal) donde se hará la conexión eléctrica.
2. Desconecte el o los cables positivos que van a la batería del vehículo de recreo **(5A)**.
3. Instale la caja del interruptor **(K3)** dentro del compartimiento del vehículo de recreo **(4D)**.
4. Tienda y conecte los cables negro y azul de la caja del interruptor a los cables cortos negro **(K1.4)** y azul **(K1.5)** de la bomba con los conectores eléctricos suministrados. Para sellar los conectores termocontráctiles, caliente los conectores tras conectar los cables. Se deben conectar los cables adicionales que sean necesarios.
5. Tienda el cable negro largo (negativo) **(K1.6)** desde el conjunto de la bomba **(K1)** hasta el terminal negativo **(5A)** de la batería, o a un terminal de tierra en el vehículo de recreo, o a una tierra de chasis **(5A.2)** suministrada por el fabricante original.
6. Tienda el cable rojo **(K3.1)** desde la caja del interruptor **(K3)** hasta el portafusibles **(K4)**.
7. Prese un extremo del portafusibles en el cable rojo **(K3.1)** y conecte el otro extremo al terminal positivo **(5A.1)** de la batería.

AVISO

El portafusibles **(K4)** debe instalarse a una distancia no mayor de 18 pulg. (46 cm) de la fuente de alimentación.

8. Proteja todo el cableado del sistema SANICON® con un revestimiento de cables (no suministrado).
9. Vuelva a conectar el o los cables positivos (que desconectó en el paso 2 de este procedimiento) a la batería del vehículo de recreo.

Aperçu

Nous vous félicitons d'avoir fait l'acquisition du système SANICON® 500s – la façon la plus propre, la plus hygiénique et la plus pratique de vider le réservoir d'eaux usées de votre véhicule récréatif!



Prenez connaissance des avertissements et des mises en garde figurant dans ce document avant d'utiliser ou d'entretenir ce système. Ignorer ces avertissements peut conduire à des pertes matérielles, des blessures ou une électrocution. N'apportez aucune modification à cette unité au risque de causer des dommages matériels, des blessures ou une électrocution.

Thetford Corporation décline toute responsabilité en cas de dommages matériels, blessures ou décès découlant d'une installation, d'une réparation ou d'une utilisation incorrecte de ce système.

Thetford Corporation recommande que les travaux de plomberie et d'électricité soient exécutés par un professionnel muni d'une licence. Un permis local et le respect du code sont exigés.

Mises en garde et avertissements

Prenez connaissance des avertissements et des mises en garde figurant dans ce document avant de faire fonctionner ou d'entretenir cette unité.



Portez l'équipement de protection individuelle approprié lors de l'utilisation du système SANICON®.



N'apportez aucune modification à cette unité au risque de causer des dommages matériels ou des blessures.

- **Ne jetez dans la chasse d'eau que des déchets organiques humains et du papier hygiénique.** Ne jetez pas d'articles insolubles, tels que les produits d'hygiène féminine, les essuie-tout de papier ou les lingettes humides; cela endommagera le macérateur et **annulera la garantie.**
- Pour éviter toute panne de la pompe, si vous utilisez un tuyau d'arrosage à l'extrémité de l'embout, assurez-vous que son diamètre intérieur est de 1,9 cm minimum.

Des questions?

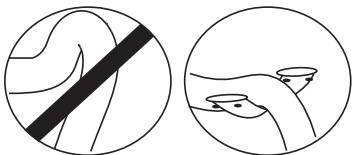
Pour toute question ou assistance, veuillez contacter le Service à la clientèle au 1 800 543-1219, du lundi au vendredi, de 8 h à 18 h, HNE.

AVIS

Inspectez le raccordement de la pompe au VR chaque année. Assurez-vous que le manchon en caoutchouc ne comporte aucune fissure et que la quincaillerie de montage est solidement fixée. Remplacez si nécessaire.

AVIS

Pour prolonger la durée de vie du tuyau d'évacuation (K2), **évit**ez les plis brusques, n'exercez pas de tension sur les manchons du tuyau et soutenez celui-ci à une distance de 5 à 13 cm du manchon (K2.1) lors de l'utilisation.



T000081A

Introducción

Felicitaciones por la compra del sistema SANICON® 500s: ¡el método más limpio, higiénico y cómodo de vaciar el tanque de retención de su vehículo de recreo!



Lea y entienda las advertencias contenidas en este documento antes de hacer funcionar o dar mantenimiento a este sistema. El incumplimiento de estas advertencias dará lugar a riesgos de pérdidas materiales, lesiones o electrocución. No modifique de ninguna manera esta unidad pues, de hacerlo, podría ocasionar daños materiales, lesiones o electrocución.

Thetford Corporation no admite ninguna obligación o responsabilidad por daño al equipo, lesiones o muerte que pudieran ser causados por la instalación, la reparación o el manejo incorrectos de este sistema.

Thetford Corporation recomienda que los trabajos eléctricos y de plomería sean realizados por personal con licencia. Se debe cumplir con los códigos y permisos municipales.

Advertencias y precauciones

Lea y entienda las advertencias y precauciones contenidas en este documento antes de hacer funcionar o darle mantenimiento a esta unidad.



Lleve puesto los equipos de protección personal adecuados cuando vaya a utilizar el sistema SANICON®.



No modifique de manera alguna esta unidad; de hacerlo, podría ocasionar daños materiales o lesiones.

- **Descargue únicamente desechos humanos orgánicos y papel higiénico.** No descargue artículos que no se disuelvan, tales como productos de higiene femenina, toallas de papel o toallitas prehumedecidas, ya que dañarán el macerador y **se anulará la garantía.**
- Para evitar desperfectos de la bomba: si se va a utilizar una manguera auxiliar de jardín en el extremo de la boquilla, compruebe que el diámetro interno de la manguera no sea menor de 0.75 pulg. (1.9 cm).

¿Preguntas?

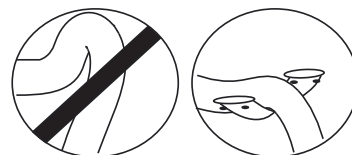
Si tiene preguntas o necesita ayuda, comuníquese con el Departamento de Servicio al Cliente llamando al teléfono 1-800-543-1219 de lunes a viernes de 8 a. m. a 6 p. m. (hora del Este de Estados Unidos).

AVISO

Inspeccione anualmente la conexión de la bomba al vehículo de recreo. Asegúrese de que no haya grietas en el acoplamiento de caucho y de que las piezas de montaje estén bien firmes. Cámbielas de ser necesario.

AVISO

Para prolongar la vida de la manguera de descarga (K2), **evite** los esfuerzos y dobleces agudos en los manguitos de la manguera y, durante el uso, ponga soportes de la manguera a distancias de 2- 5 pulg. (5 - 13 cm) del manguito (K2.1).






T000081A

Mode d'emploi

Rendement de la pompe

Le rendement de la pompe varie avec la taille et la longueur du tuyau :

Taille et longueur	Hauteur	Débit (L/min.)	Minutes pour vider 380 litres
Tuyau SANICON® de 3,8 cm x 6,4 m	2,7 m	42	9
Tuyau SANICON® de 3,8 cm x 6,4 m	0	70,8	5
Tuyau SANICON® de 3,8 cm x 6,4 m avec tuyau de jardin 19 mm x 30,5 m	2,7 m	2,6	143 
Tuyau SANICON® de 3,8 cm x 6,4 m avec tuyau de jardin 19 mm x 30,5 m (100 pi)	0	14	27 
Tuyau SANICON® de 3,8 cm x 6,4 m avec tuyau de jardin 19 mm x 15,2 m	0	23,5	16

 L'interrupteur thermique se déclenchera après 20 minutes. Consultez la section « Interrupteur thermique ».

Raccordement à la station de pompage

Reportez-vous aux figures 1 et 5.

1. Ouvrez le compartiment de rangement du tuyau (**5D**); sortez le tuyau et l'embout avec les capuchons (**K2**); ne les débranchez pas du véhicule.

AVIS

Enlevez le capuchon (**K2.4**) pour déployer complètement le tuyau.

2. Dévissez le capuchon du grand embout (**K2.4**).
3. Raccordez l'embout universel (**K2.2**) à la station de vidange.

Vidange du réservoir d'eaux noires

Reportez-vous aux figures 1 et 5.

1. ASSUREZ-VOUS que l'embout universel (**K2.2**) est solidement fixé à la station de vidange! Reportez-vous à la procédure de « Raccordement à la station de vidange ».

AVIS

CONSEIL Pour un rangement plus propre : Vider le réservoir d'eaux noires en premier permet le rinçage du système par les eaux grises.

2. Ouvrez le robinet de purge du réservoir d'eaux noires (**4B**).
3. À l'aide de (**K3**), actionnez la pompe.
4. Ne pas laisser l'unité sans surveillance.
5. Arrêtez la pompe à l'aide de (**K3**).

AVIS



CONSEIL : Le tuyau prend de l'expansion au fur et à mesure que le liquide s'écoule vers la station de vidange et se contracte une fois le réservoir vide.


6. Fermez le robinet de purge du réservoir d'eaux noires (**4B**).

Operación

Rendimiento de la bomba

El rendimiento depende del tamaño y longitud de la manguera:

Manguera y longitud	Altura	Caudal (gal/min)	Minutos para vaciar 100 galones
Manguera SANICON® 1.5" x 21'	9'	11.1	9
Manguera SANICON® 1.5" x 21'	0	18.7	5
Manguera SANICON® 1.5" x 21' con manguera de jardín de 100' 3/4"	9'	0.7	143 
Manguera SANICON® 1.5" x 21' con manguera de jardín de 100' 3/4"	0	3.7	27 
Manguera SANICON® 1.5" x 21' con manguera de jardín de 50' 3/4"	0	6.2	16

 Al cabo de 20 minutos se produce el corte térmico. Consulte el apartado "Interruptor de corte térmico".

Conectar a la estación de vaciado

Consulte las figuras 1 y 5.

1. Abra el compartimento de almacenamiento de la manguera (**5D**); hale la manguera y la boquilla con las tapas (**K2**); no la desconecte del vehículo.

AVISO

Quite la tapa (**K2.4**) para extender la manguera completamente.

2. Desatornille la tapa de boquilla grande (**K2.4**).
3. Conecte la boquilla universal (**K2.2**) a la estación de vaciado.

Vaciar el tanque de aguas negras

Consulte las figuras 1 y 5.

1. ¡VERIFIQUE que la boquilla universal (**K2.2**) esté firmemente conectada a la estación de vaciado! Consulte el procedimiento en la sección "Conectar a la estación de vaciado".

AVISO

SUGERENCIA para un almacenamiento más limpio: Al vaciar primero el tanque de aguas negras, se permite que las aguas grises limpien el sistema.

2. Abra la válvula de compuerta del tanque de aguas negras (**4B**).
3. Encienda la bomba con (**K3**).
4. No deje desatendida la unidad.
5. Apague la bomba con (**K3**).

AVISO

SUGERENCIA: La manguera se expande a medida que el líquido se desplaza a la estación de vaciado, y se comprime cuando el tanque se vacía.

6. Cierre la válvula de compuerta del tanque de aguas negras (**4B**).

Vidange du ou des réservoirs d'eaux grises

reportez-vous aux figures 1 et 4.

1. ASSUREZ-VOUS que l'embout universel **(K2.2)** est solidement fixé à la station de vidange! Reportez-vous à la procédure de « Raccordement à la station de vidange ».

AVIS

CONSEIL Pour un rangement plus propre : Vider le réservoir d'eaux noires en premier permet le rinçage du système par les eaux grises.

2. Ouvrez le robinet de purge du réservoir d'eaux grises **(4B)**.
3. À l'aide de **(K3)**, actionnez la pompe.
4. Ne pas laissez l'unité sans surveillance.
5. Arrêtez la pompe à l'aide de **(K3)**.

AVIS

CONSEIL : Le tuyau prend de l'expansion au fur et à mesure que le liquide s'écoule vers la station de vidange et se contracte une fois le réservoir vide.

6. Fermez le robinet de purge du réservoir d'eaux grises **(4B)**.
7. Reprenez les étapes 2 à 6 pour les réservoirs d'eaux grises secondaires.

AVIS

Une dérivation manuelle des eaux grises est possible si la tuyauterie d'évacuation ne s'écoule pas vers le haut.

Préparation du tuyau pour son rangement

Reportez-vous aux figures 1 et 4.

1. Assurez-vous que la pompe est arrêtée.
2. Purgez le tuyau **(K2)** en l'inclinant de manière à diriger l'excédent d'eau dans la station de vidange.

AVIS

CONSEIL - Pour accélérer la purge : Laissez le robinet de purge **(4B)** ouvert pour ventiler le tuyau et accélérer le processus.

3. Débranchez l'embout **(K2.2)** de la station de vidange.
4. Installez le ou les bouchons **(K2.3, K2.4)**.
5. Remettez le tuyau dans son compartiment **(4D)**; laissez-le raccordé au véhicule.

Conseils utiles

- Vous pouvez vous procurer d'autres tuyaux auprès de Thetford et les utiliser pour rallonger le tuyau d'évacuation. Raccordez les tuyaux à l'aide d'un raccord cannelé de 3,8 cm avec collier.
- Si vous souhaitez rallonger le tuyau d'évacuation, raccordez un tuyau d'arrosage de 1,9 cm de diamètre intérieur à l'extrémité de l'embout.

AVIS

Un tuyau d'évacuation plus long ralentira le débit.

- Avant de ranger le tuyau, prenez soin de laisser s'en écouler tout liquide.

AVIS

Une dérivation manuelle des eaux grises est possible si la tuyauterie d'évacuation ne s'écoule pas vers le haut.

Vaciar el(los) tanque(s) de aguas grises

Consulte las figuras 1 y 4.

1. ¡VERIFIQUE que la boquilla universal **(K2.2)** esté firmemente conectada a la estación de vaciado! Consulte el procedimiento en la sección "Conectar a la estación de vaciado".

AVISO

SUGERENCIA para un almacenamiento más limpio: Al vaciar primero el tanque de aguas negras, se permite que las aguas grises limpien el sistema.

2. Abra la válvula de compuerta del tanque de aguas grises **(4B)**.
3. Encienda la bomba con **(K3)**.
4. No deje desatendida la unidad.
5. Apague la bomba con **(K3)**.

AVISO

SUGERENCIA: La manguera se expande a medida que el líquido se desplaza a la estación de vaciado, y se comprime cuando el tanque se vacía.

6. Cierre la válvula de compuerta del tanque de aguas grises **(4B)**.
7. Repita los pasos 2-6 para los tanques de aguas grises secundarios.

AVISO

Es posible derivar las aguas grises si la tubería de descarga no fluye hacia arriba.

Preparar la manguera para guardarla

Consulte las figuras 1 y 4.

1. Verifique que la bomba esté apagada.
2. Vacíe la manguera **(K2)** sosteniéndola en ángulo para dirigir el exceso de agua hacia la estación de vaciado.

AVISO

SUGERENCIA para agilizar el drenaje: Deje abierta la válvula de compuerta de aguas grises **(4B)** para ventilar la manguera y acelerar el proceso.

3. Desconecte la boquilla **(K2.2)** de la estación de vaciado.
4. Instale la(s) tapa(s) **(K2.3, K2.4)**.
5. Vuelva a colocar la manguera en su compartimiento respectivo en el vehículo **(4D)**; deje la manguera conectada al vehículo.

Sugerencias útiles

- Se pueden comprar más mangueras de Thetford para alargar la manguera de descarga. Conecte las mangueras con un conector dentado de 1.5 pulg. (3.8 cm) con abrazadera.
- Si desea alargar la manguera de descarga, conecte una manguera de jardín con diámetro interno de 0.75 pulg. (1.9 cm) al extremo de la boquilla.

AVISO

Al alargar la manguera de descarga, se reduce el caudal.

- Antes de guardar la manguera, asegúrese de que todo el líquido se haya drenado.

AVISO

Es posible derivar las aguas grises si la tubería de descarga no fluye hacia arriba.

Élimination des obstructions

Reportez-vous aux figures 1 et 4.

AVIS

Assurez-vous d'avoir sous la main un récipient pour recueillir le liquide du système!

1. Assurez-vous d'avoir vidangé tout le contenu du système. Si une purge manuelle **(4C)** est installée, suivez la procédure de purge manuelle.

⚠ DANGER

Coupez le courant et enlevez le fusible de la pompe. Une fois l'obstruction éliminée, il y a un risque de se blesser les mains ou les doigts si la turbine se met en marche!

2. Coupez l'alimentation électrique en enlevant le fusible de la pompe ou en débranchant la batterie.
3. Vérifiez que tous les robinets de purge **(4B)** sont fermés.
4. Repérez le raccord en caoutchouc de 7,6 cm **(K6)** et desserrez le collier à tuyau le plus près de la pompe. Il est possible que vous ayez à desserrer le support à tuyau de 8,9 cm **(K7)**.

AVIS

Il se peut que vous ayez à débrancher le raccord de sortie **(K1.1)**.

5. Enlevez la pompe du raccord en caoutchouc de 7,6 cm **(K6)**.

⚠ DANGER

Ne démontez PAS le carter de la pompe. L'obstruction DOIT être retirée par l'arrivée de la turbine.

6. Enlevez l'obstruction.
7. Insérez l'entrée de la pompe dans le raccord en caoutchouc de 7,6 cm **(K6)** et serrez le collier à tuyau.
8. Vérifiez le support à tuyau de 8,9 cm (de 10 cm de diamètre intérieur) **(K7)** et resserrez-le s'il y a lieu.
9. Assurez-vous que le robinet de purge manuelle **(4C)** est fermé; replacez le capuchon du drain à baïonnette.
10. Rebranchez l'alimentation électrique.
11. Ouvrez le système des eaux grises; vérifiez qu'il n'y a aucune fuite.

Purge manuelle (en option)

Reportez-vous aux figures 1 et 4.

AVIS

Installation facultative. N'est peut-être pas installé sur votre unité.

1. Repérez le raccord de la purge manuelle **(4C)**; enlevez le capuchon du drain à baïonnette.
2. Raccordez le tuyau d'égout 7,6 cm (non fourni) : une extrémité à **(4C)**, l'autre à la station de vidange.
3. Ouvrez le robinet de purge manuelle **(4C)**.
4. Ouvrez le robinet de purge des eaux noires **(4B)**; laissez le contenu s'écouler.
5. Fermez le robinet de purge des eaux noires.
6. Ouvrez le robinet de purge des eaux grises; laissez le contenu s'écouler.
7. Fermez le robinet de purge des eaux grises.
8. Fermez le robinet de purge manuelle.
9. Débranchez et nettoyez le tuyau d'égout.
10. Replacez le capuchon du drain à baïonnette de la purge manuelle **(4C)**.

Eliminación de obstrucciones

Consulte las figuras 1 y 4.

AVISO

¡Asegúrese de tener a mano un recipiente para recoger el líquido del sistema!

1. Compruebe que se haya drenado todo el contenido del sistema. Si está instalado el mando manual **(4C)**, siga las indicaciones del proceso de mando manual.

⚠ PELIGRO

Apague la electricidad y saque el fusible de la bomba. ¡Si hay electricidad, al sacar la obstrucción podría haber riesgos de lesiones para los dedos o las manos que estén en la trayectoria del impulsor!

2. Desconecte la alimentación, retirando para ello el fusible de la bomba o desconectando la batería.
3. Verifique que todas las válvulas de compuerta **(4B)** estén cerradas.
4. Ubique el acoplamiento de caucho de 3 pulg. (7.6 cm) **(K6)** y afloje la abrazadera de manguera más cercana a la bomba. Puede que haya que aflojar el colgador de tubo de 3.5 pulg. (8.9 cm) **(K7)**.

AVISO

Puede que haya que desconectar la tubería del orificio de descarga **(K1.1)**.

5. Retire la bomba del acoplamiento de caucho de 3 pulg. (7.6 cm) **(K6)**.

⚠ PELIGRO

NO retire la cubierta de la bomba. ES NECESARIO sacar la obstrucción a través de la toma de entrada.

6. Saque la obstrucción.
7. Inserte la entrada de la bomba en el acoplamiento de caucho de 3 pulg. (7.6 cm) **(K6)** y apriete la abrazadera de la manguera.
8. Examine el colgador de tubo de 3.5 pulg. (8.9 cm) (diámetro interno: 4 pulg./10 cm) **(K7)**; apriételo si está flojo.
9. Compruebe que la válvula de compuerta de derivación del mando manual **(4C)** esté cerrada; reinstale la tapa de bayoneta.
10. Reconecte la alimentación.
11. Haga funcionar el sistema con aguas grises; verifique que no haya fugas.

Mando manual (opcional)

Consulte las figuras 1 y 4.

AVISO

Instalación opcional. Quizás no esté disponible en la unidad.

1. Ubique la conexión del mando manual **(4C)**; quite la tapa de bayoneta.
2. Conecte la manguera sanitaria de 3 pulg. (7.6 cm) (no se suministra): un extremo se conecta a **(4C)**; el otro, a la estación de vaciado.
3. Abra la válvula de compuerta de mando manual **(4C)**.
4. Abra la válvula de compuerta de aguas negras **(4B)**; permita el desagüe del contenido.
5. Cierre la válvula de compuerta de aguas negras.
6. Abra la válvula de compuerta de aguas grises; permita que se drene el contenido.
7. Cierre la válvula de compuerta de aguas grises.
8. Cierre la válvula de compuerta de mando manual.
9. Desconecte y limpie la manguera sanitaria.
10. Instale la tapa de bayoneta del mando manual **(4C)**.

Hivernisation

Reportez-vous aux figures 1 et 4.

1. Assurez-vous que tous les réservoirs sont vides.
2. Versez de l'antigel pour VR dans le réservoir d'eaux noires.

AVIS

Assurez-vous d'avoir sous la main un récipient pour recueillir le liquide du système!

3. Actionnez la pompe.
4. Faites fonctionner la pompe jusqu'à ce que de l'antigel commence à jaillir de l'embout universel **(K2.2)**.
5. Placez l'interrupteur de la pompe sur Arrêt.
6. Purgez le tuyau **(K2)** en l'inclinant pour en éliminer tout excédent d'eau; replacez le tuyau dans son compartiment de rangement.

Garantie

Pour connaître les clauses de la garantie, consultez la page de déclaration de garantie – visitez www.thetford.com.

AVIS

Veuillez indiquer le numéro de série (figurant sur l'autocollant de la pompe ou du manuel) lors des appels au service à la clientèle ou pour les questions de garantie.

Preparación de la unidad para el invierno

Consulte las figuras 1 y 4.

1. Asegúrese de que todos los tanques estén vacíos.
2. Vierta anticongelante para vehículos de recreo en el tanque de aguas negras vacío.

AVISO

¡Asegúrese de tener a mano un recipiente para recoger el material vaciado!

3. Encienda la bomba.
4. Haga funcionar la bomba hasta que el anticongelante comience a salir por la boquilla universal **(K2.2)**.
5. Ponga el interruptor de la bomba en la posición de apagado.
6. Vacíe la manguera **(K2)** sosteniéndola en ángulo para drenar el exceso de agua; vuelva a ponerla en la posición de almacenamiento.

Garantía

Para obtener información sobre los términos definidos de la garantía, consulte la declaración de la garantía de una página (visite el sitio www.thetford.com).

AVISO

Al llamar para solicitar servicio al cliente y para cuestiones de garantía, dé el número de serie que se encuentra en la etiqueta de la bomba o del manual.

Dépannage

Problème	Solution
L'écoulement des eaux usées s'arrête ou diminue considérablement.	<ul style="list-style-type: none"> ■ Les réservoirs d'eaux usées sont-ils vides? ■ La pompe étant en marche, recherchez le point où le tuyau présente une expansion différente; vérifiez qu'il n'y a pas d'obstruction à cet endroit. ■ Placez l'interrupteur de la pompe sur Arrêt : <ul style="list-style-type: none"> ■ POUR VÉRIFIER L'ABSENCE D'OBSTRUCTION DANS LE TUYAU (K2) : Vérifiez visuellement qu'il n'y a pas un corps étranger logé dans le tuyau en passant la main sur sa surface. ■ POUR VÉRIFIER L'ABSENCE D'OBSTRUCTION DANS LA TURBINE : Consultez la section « Élimination des obstructions ». ■ Négliger d'enlever l'obstruction risque d'endommager la pompe et annulera la garantie.
La pompe fonctionne, mais aucun liquide n'est chassé.	<ul style="list-style-type: none"> ■ Les réservoirs d'eaux usées sont-ils vides? ■ Vérifiez si les robinets de purge du VR sont ouverts. ■ La pompe peut être bouchée.
Le moteur ne fonctionne pas.	Assurez-vous que : <ul style="list-style-type: none"> ■ La pompe est placée sur Marche. ■ La batterie du VR est chargée. ■ Le disjoncteur ou fusible est fonctionnel. ■ La pompe est sous tension. ■ Aucun corps étranger n'empêche le fonctionnement de la turbine.
La pompe s'arrête d'elle-même.	<ul style="list-style-type: none"> ■ Consultez la section « Interrupteur thermique » de ce document.
Comment puis-je démonter le système pour vérifier si un objet n'est pas logé à l'intérieur de la pompe?	<ul style="list-style-type: none"> ■ Consultez la section « Élimination des obstructions » de ce document.

Resolución de problemas

Problema	Solución
La presión de descarga de desechos se para o disminuye significativamente.	<ul style="list-style-type: none"> ■ ¿Están vacíos los tanques de retención? ■ Con la bomba encendida, examine para ver el punto donde cambia la expansión de la manguera; revise ese punto para ver si hay obstrucciones. ■ Ponga el interruptor de la bomba en la posición de apagado: <ul style="list-style-type: none"> ■ PARA VER SI HAY OBSTRUCCIONES EN LA MANGUERA (K2): Examine visualmente la manguera al tiempo que recorre su longitud con la mano para ver si hay algún cuerpo extraño atascado. ■ PARA VER SI HAY OBSTRUCCIONES EN EL IMPULSOR: Consulte la sección "Eliminación de obstrucciones". ■ Si no se eliminan las obstrucciones se podría dañar la bomba, y en ese caso se anulará la garantía.
La bomba funciona, pero no sale líquido.	<ul style="list-style-type: none"> ■ ¿Están vacíos los tanques de retención? ■ Compruebe que las válvulas de compuerta del vehículo de recreo estén abiertas. ■ La bomba podría tener una obstrucción.
El motor no funciona.	Verifique lo siguiente: <ul style="list-style-type: none"> ■ La bomba está encendida. ■ La batería del vehículo de recreo está cargada. ■ El interruptor automático/fusible está funcionando. ■ La bomba está recibiendo voltaje. ■ No hay objetos extraños que estén impidiendo el funcionamiento del impulsor.
La bomba se apaga automáticamente.	<ul style="list-style-type: none"> ■ Consulte el apartado "Interruptor de corte térmico" de este documento.
¿Cómo desarmo el sistema para ver si hay un objeto atascado en la bomba?	<ul style="list-style-type: none"> ■ Consulte el apartado "Eliminación de obstrucciones" de este documento.

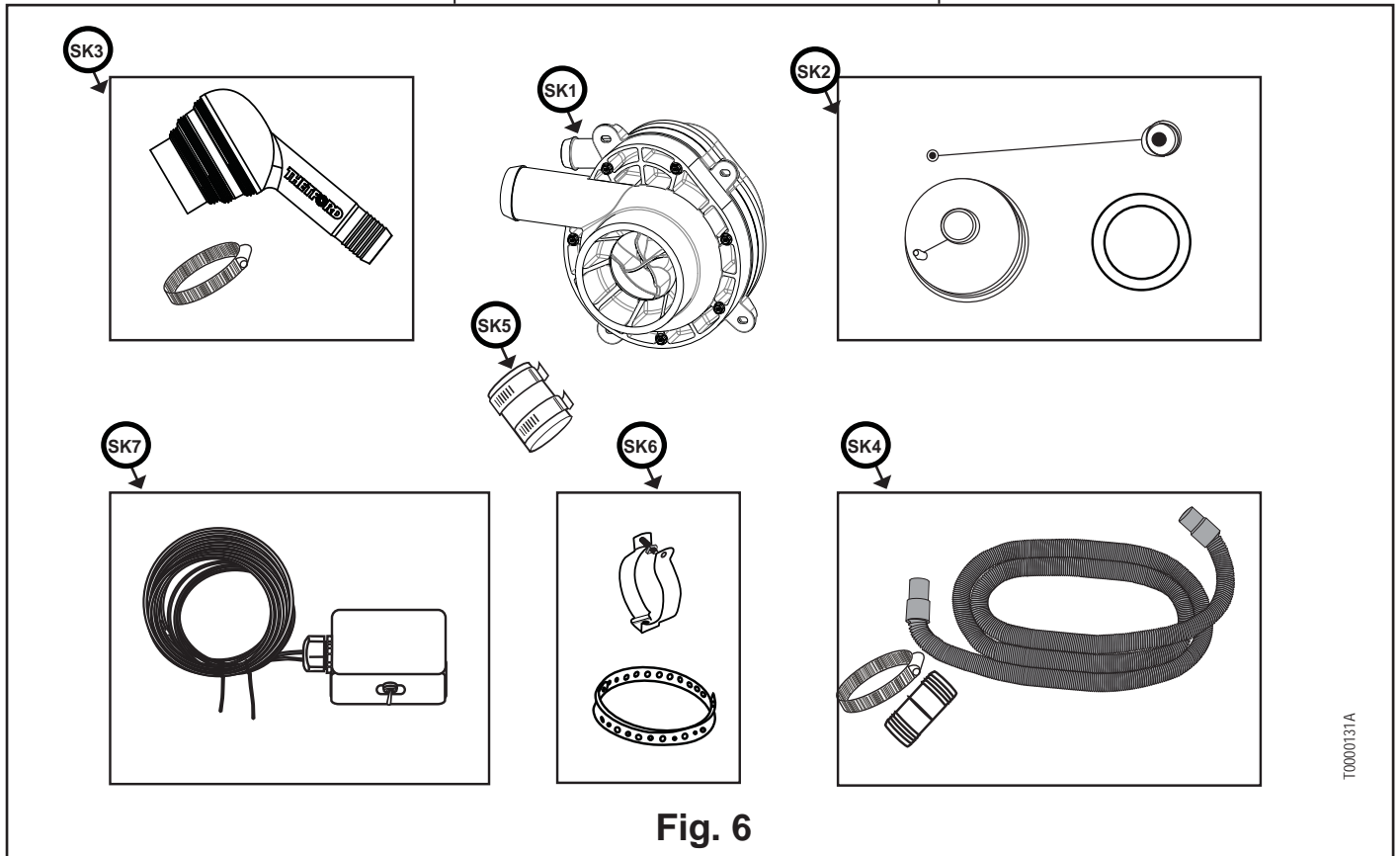


Fig. 6

Ref	No. N.° N.°	Description	Description	Descripción
SK1	97540	Pump Assembly	Ensemble de pompe	Juego de bomba
SK2	97514	Nozzle Cap, Garden Hose Cap, Nozzle Gasket	Capuchon d'embout, capuchon de tuyau d'arrosage, joint d'embout	Tapa de boquilla, tapa de manguera de jardín, empaquetadura de boquilla
SK3	97520	Nozzle, Clamp	Embout, collier	Boquilla, abrazadera
SK4	97521	Hose, Clamp and Coupler	Tuyau, collier et raccord	Manguera, abrazadera y acoplador
SK5	97601	Rubber Coupling and Clamps	Raccord en caoutchouc et colliers	Acoplamiento de caucho con abrazaderas
SK6	97602	Pipe Hanger and Strap	Support à tuyau et sangle	Colgador y correa de tubo
SK7	97603	Switch Box with Wiring	Boîtier d'interrupteur et câblage	Caja del interruptor con cables

Questions?/Des questions?/¿Preguntas? 1-800-543-1219

See your dealer for more information about Thetford products. Or, write or call:

Pour obtenir de plus amples renseignements sur les produits Thetford, communiquez avec votre détaillant. Vous pouvez aussi nous écrire ou nous appeler à :

Para obtener mayor información acerca de los productos Thetford, visite al distribuidor más cercano, o bien llame o escriba a:

Thetford Corporation
 P.O. Box 1285
 Ann Arbor, MI 48106
 1-800-543-1219

info@thetford.com
www.thetford.com



Place the serial number sticker in this box.

Placez ici l'autocollant du numéro de série.

Coloque la etiqueta del número de serie en este recuadro.