



Included in  
SuperSlide II and  
Trim Kit for  
SuperSlide II

Description	Qty.
Rivet, 3/16 x .250 (SB-64)	40
Inner rail assembly	2
Outer rail assembly	2
Slide square jig knee brace	4
End trim piece: X" *	2
Mid-rail trim piece: X" *	3
Slide square jig cross strip; X" *	2

\* Where X" = the width of slide (24", 32", 37", 39", 44", or 51")  
**Note:** OEM widths in 1" increments

**Tools needed**

Plywood or particle board for panel inserts

Carpet or other material to cover panel inserts

Wood screws

Safety glasses

#2 Phillips screwdriver

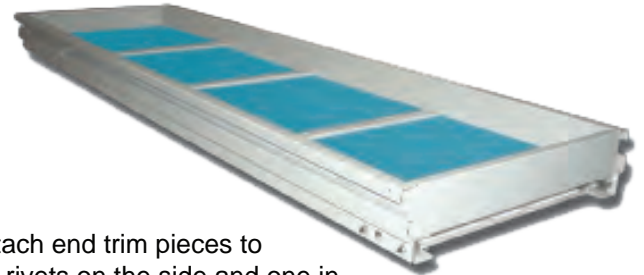
Pop-rivet gun

Two-by-fours or other wood may be needed to raise slide enough to clear cargo compartment door



# SuperSlide II and Trim Kit Installation Instructions

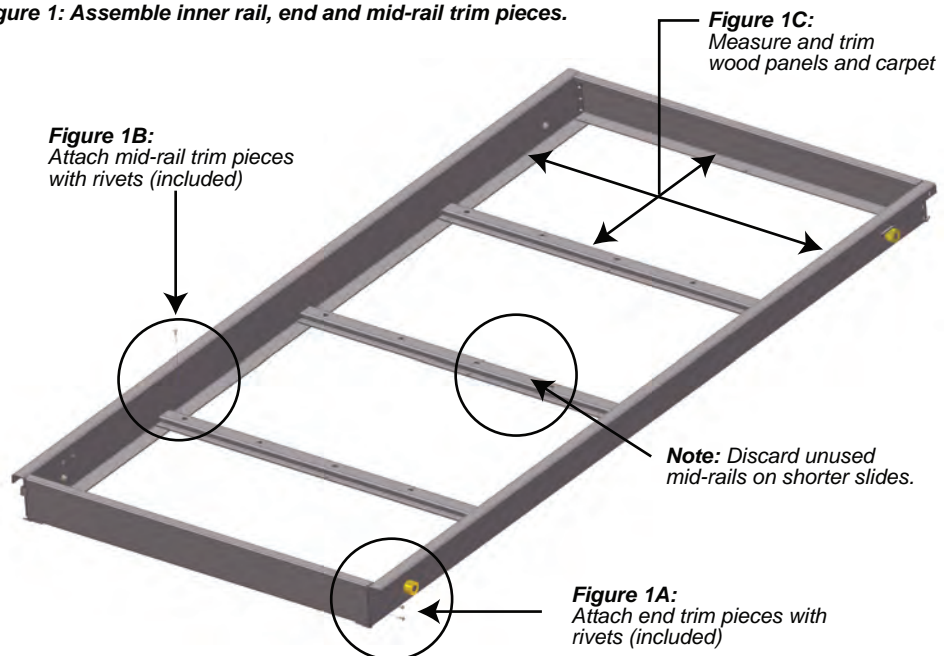
Instructions cover the installation of SuperSlide II Assemblies and Trim Kit for SuperSlide II.



## Inner Rail Assembly

1. Align pre-drilled holes and attach end trim pieces to inner rail assembly using two rivets on the side and one in each corner. (Figure 1A)
2. Align mid-rail trim pieces to holes along inside edges of inner rail assembly. Attach each mid-rail with four rivets; two on left side and two on right side of each mid-rail. (Figure 1B)
3. Measure inside dimensions of each insert area for wood insert panels (not provided). (Figure 1D) See Figure 2 on next page for optional method using a single carpet-covered panel over the wood inserts and mid-rails.
5. Allowing for thickness of panel covering, trim plywood or particleboard. Check fit.
6. Cover panels with carpet or other material, such as vinyl or rubber mat.

**Figure 1:** Assemble inner rail, end and mid-rail trim pieces.



- Attach carpeted panels with wood screws (not provided) shown in Figure 2.

Figure 2: Install carpet-covered wood panels into inner rail assembly.



**Outer Rail Assembly**

- Using rivets, attach a slide jig square cross strap to the outer rail assemblies at each end. (Figure 3A)
- Using rivets, attach a slide jig square knee brace to the outer rail assemblies at each corner. (Figure 3B)
- Before attaching the outer rail assembly to the floor of the cargo compartment, check for clearance at the compartment door. It may be necessary to raise the outer rail assembly up a few inches using two-by-fours (not provided). Make sure that the inner rail assembly will clear the edges of the cargo compartment door.

11. Align inner rail assembly rollers with outer rail assembly rollers and slide inner rail assembly into place. It may be necessary to flex outer rails out to clear stops.

- Attach mounting tabs shown in Figure 3C of the outer rail assembly to floor (or two-by-fours) of the cargo compartment using carriage bolts (not provided).

- Check to make sure the latch secures the inner rail assembly when the slide is in the stowed position.



**NOTICE**

Picture does not represent all available models

Figure 3: Assemble and install outer rail.

