

## **VACATION'R**

### **A ROOM FOR VERTICAL ARM AWNINGS**

---



- ◆ ***Made of durable, lightweight polyester material - the same material used for tents.***
- ◆ ***Does not require hardware that is attached to the RV.***
- ◆ ***No rafters to install.***
- ◆ ***Allows awnings with auto-dump features to function correctly. When the awning collapses to release water, the room folds with the awning.***

## **INTRODUCTION**

From its beginning in the early 70's, Carefree of Colorado has emerged as the premier manufacturer of quality awnings and accessories for Recreational Vehicles (RVs). Our full line of products can provide the accessories that match your life style; no matter what type of RV you own.

Check with your dealer to discover the products that can make your life more Carefree.

---

## **TABLE OF CONTENTS**

Introduction .....	2
<b>Room Setup</b> .....	<b>3</b>
Manual Awnings - Start Here.....	3
Motorized Awnings - Start Here.....	3
Installing the Room.....	4
Setting the Pitch .....	5
Stake and Seal the Room.....	5
<b>Attaching the Skirt</b> .....	<b>6</b>
<b>Storing the Room</b> .....	<b>8</b>
<b>Room Care</b> .....	<b>9</b>
Fabric Care.....	9
Mildew .....	9
<b>Applications Chart</b> .....	<b>10</b>
<b>Carefree Major Product Limited Warranty</b> .....	<b>11</b>

---

## **⚠WARNINGS**

- ⚠ AUTO-RETRACT SYSTEMS:** FOR AWNING WITH AUTO-RETRACT, THE AUTO-RETRACT FEATURE **MUST BE SHUT OFF**. IF THE AWNING AUTO-RETRACTS, DAMAGE TO THE AWNING, ROOM AND VEHICLE CAN OCCUR AS WELL AS PERSONAL INJURY. REFER TO THE AWNING OWNER'S MANUAL FOR INSTRUCTIONS.
  - ⚠ KEEP ALL SOURCES OF HEAT AND FLAME AWAY FROM THE ROOM. FABRIC IS NOT FIREPROOF AND CAN BURN IF LEFT IN CONTACT WITH ANY FLAME OR HEAT SOURCE.**
  - ⚠ NEVER USE ANY GAS-POWERED DEVICES INSIDE THE ROOM. GAS-POWERED DEVICES CONSUME OXYGEN AND PRODUCE CARBON MONOXIDE THAT IS POISONOUS AND HAS NO ODOR.**
  - ⚠ SKIRTING MUST NOT INTERFERE WITH LP APPLIANCE OR EXHAUST VENTS. DO NOT START OR OPERATE THE ENGINE OR GENERATORS IF THE EXHAUST COMPONENTS ARE LOCATED BEHIND THE SKIRTING.**
- 

**⚠ CAUTION:** If so equipped, the automatic entry step operation must be disabled when installing and/or using the skirting.

VELCRO® is the registered trade name of Velcro Industries. The term "velcro" is used to generically describe the fabric hook and loop fasteners used with the product.

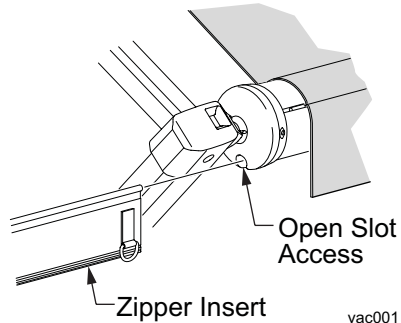
---

## ROOM SETUP

### MANUAL AWNINGS - START HERE

Start here for Carefree manual awnings and A&E awnings.

1. Extend the awning out according to the manufacturer's instructions. Ensure that the open roller tube slot and slot access is down and accessible on the idler (LH) side of the awning.
2. If necessary, clean and deburr the slot and slot access.
3. *For awnings with a pull strap*, slide the pull strap down to the opposite end of the roller tube.
4. Unfold the room. If attached, remove the zipper insert from the top of the front panel portion of the room.
5. Slide the zipper insert into the open slot of the roller tube. Ensure that the rings are facing out away from the vehicle as shown.
6. Go to "Installing the Room" on page 4.



vac001

### MOTORIZED AWNINGS - START HERE

Start here for Carefree motorized awnings.

1. Extend the awning out according to the manufacturer's instructions.

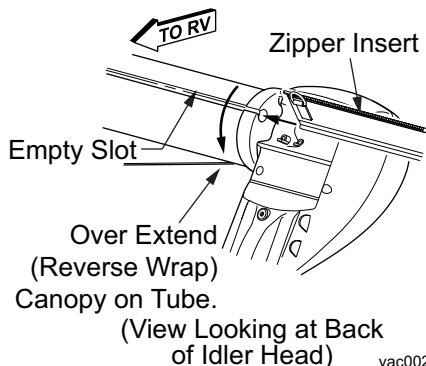
*For Travel'r series awnings and Eclipse awnings without Auto Retract:*

- Hold the EXTEND switch until the empty slot of the tube aligns with the slot on the back of the idler (LH) head.

*For Eclipse with Auto Retract:*

- After extending the awning, press and release the retract button. Stop the awning when the roller tube makes approximately 1/2 turn or less.
- Hold the EXTEND switch until the empty slot of the tube aligns with the slot on the back of the idler (LH) head.

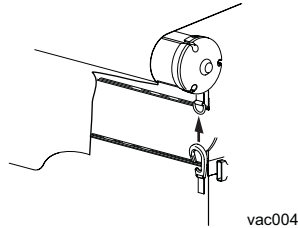
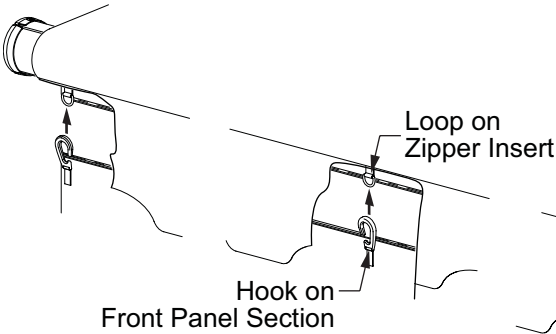
2. Unfold the room. If attached, remove the zipper insert from the top of the front panel portion of the room.
3. Slide the zipper insert into the open slot of the roller tube. Ensure that the rings are facing toward the vehicle as shown.
4. Using the retract switch, roll the awning up to the normal extended position. Note: When the insert is hanging down, the rings will face out away from the vehicle.



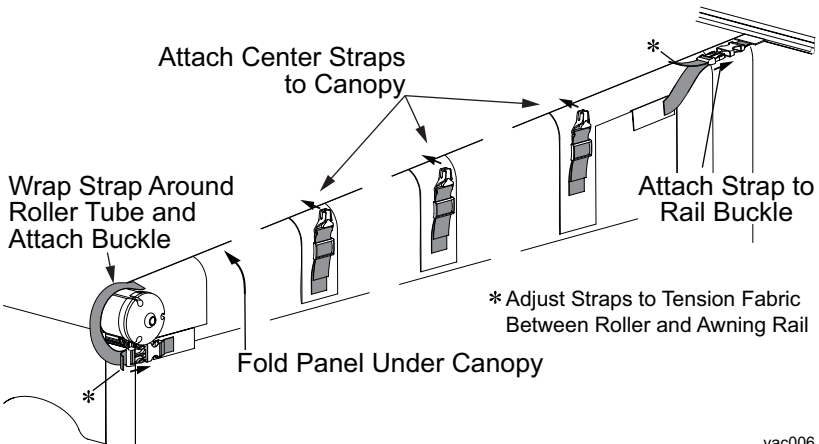
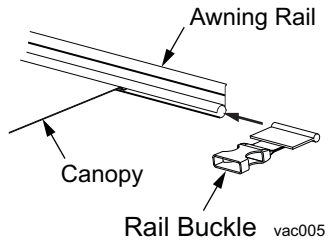
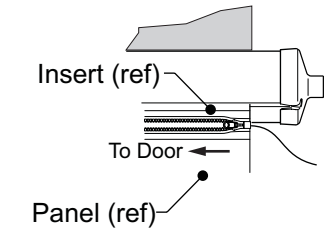
vac002

5. Go to "Installing the Room" on page 4.

## INSTALLING THE ROOM



1. Lift the front panel section up. The door goes on the right side with the privacy panels facing out away from the coach.
2. Temporarily hook the front panel to the zipper insert.
3. Zip the panel to the insert. The zipper starts on the end opposite the door.
4. Slide the rail buckles into the awning rail and up next to the canopy on both sides.
5. Lift the side panel section up and attach the buckle on the panel to the rail buckle.
6. At the roller tube, wrap the long strap around the roller tube and attach the buckles.
7. Using the straps on the buckles (steps 5 and 6) adjust the strap length to tension the fabric between the roller tube and awning rail.
8. Fold the top of the side panel under the canopy.
9. Attach the side strap clamps to the canopy.



vac006

## SETTING THE PITCH

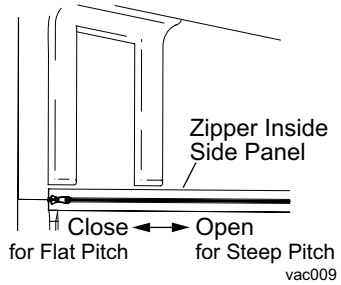
The room can accommodate two different pitch settings, flat (shallow) or steep.

Locate the zippers on the inside of the side panels.

Close the zipper for flat pitch applications or open the zipper for steep pitch applications.

### CAUTION

**OPEN AND CLOSE THE ZIPPER WITH CARE. THE SIDE WALL MATERIAL CAN BE CAUGHT AND JAM THE ZIPPER.**



vac009

**NOTE:** For adjustable pitch awnings, it may be necessary to adjust the pitch of the awning so that the panels hang straight.

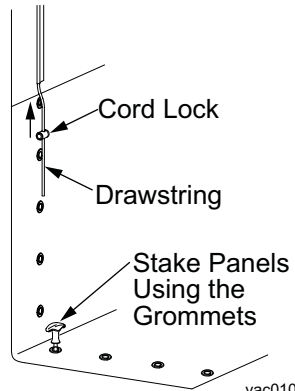
## STAKE AND SEAL THE ROOM

After the room is set, stake the panels through the grommets at the bottom of the panels.

**NOTE:** Start with the stakes closest to the vehicle. Place the stake directly below or slightly under the vehicle side.

Use the bungee drawstring located on the inside of the side panels to tension the fabric between the awning rail and ground.

Simply hold the end of the cord and slide the cord lock against the fabric until the fabric is tight.



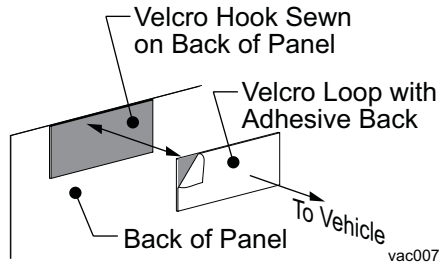
vac010

## ATTACHING THE SKIRT

The modular skirt panels attach to the vehicle with velcro strips. The velcro "loop" half is adhered to the vehicle wall.

For first time installations, thoroughly clean the vehicle wall where the panels are to be placed. An alcohol based cleaner will remove grease and dirt.

Remove the release paper from the back of the velcro pads.

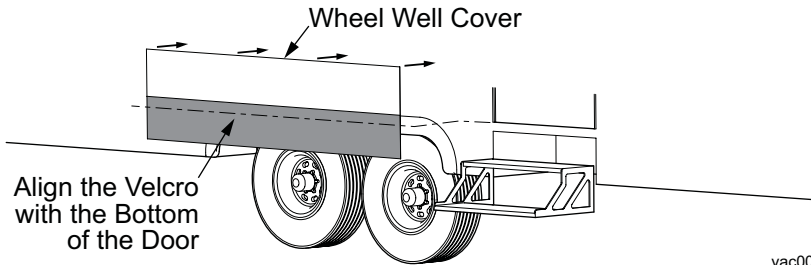


Position the panel and press the velcro against the wall. Allow the adhesive to set 24 hours for a complete bond.

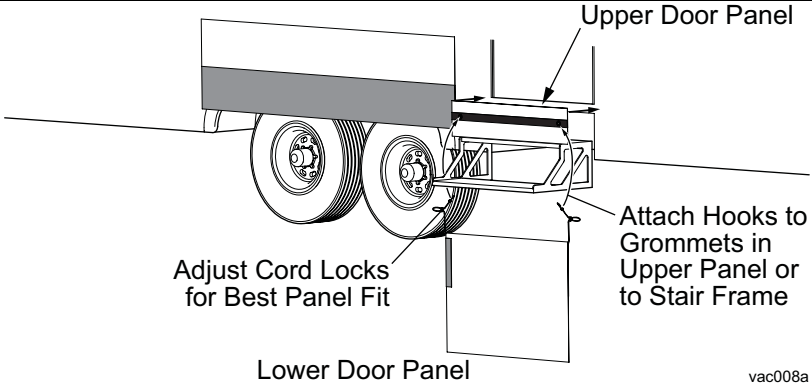
**NOTE:** For panels that cross the wheel well cover, remove the loop pad from the skirt. The material at the bottom of the wheel well panel has a velcro acceptable nap to hold the panel velcro hook.

The illustrations below use the bottom of the door to align the top of the panels. The panels can be positioned higher or lower within the height limits of the panels.

1. Center the long, narrow wheel well cover over the wheel(s). Align the lower velcro material with the bottom of the door. Attach the velcro to the vehicle wall.

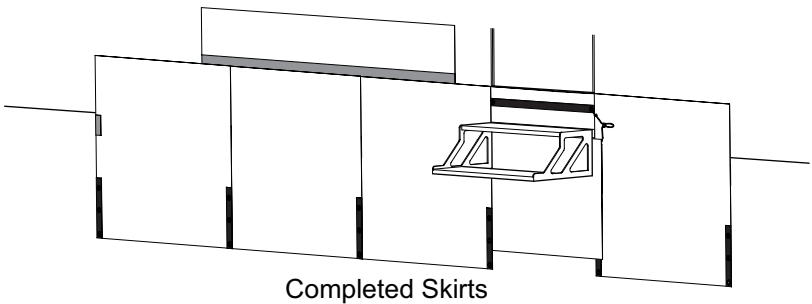
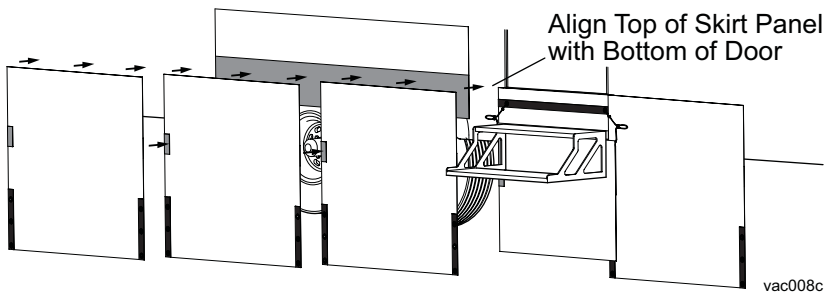
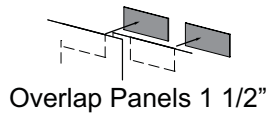


2. For vehicles with a gap between the bottom of the door and the top of the stair: Align the upper door panel with the bottom of the door. The velcro goes on each side of the opening.
3. Pull the lower door panel under and behind the stair. Place the cord hooks into the grommets of the upper door panel or to the frame of the stair. Use the cord locks to adjust the panel for best fit.



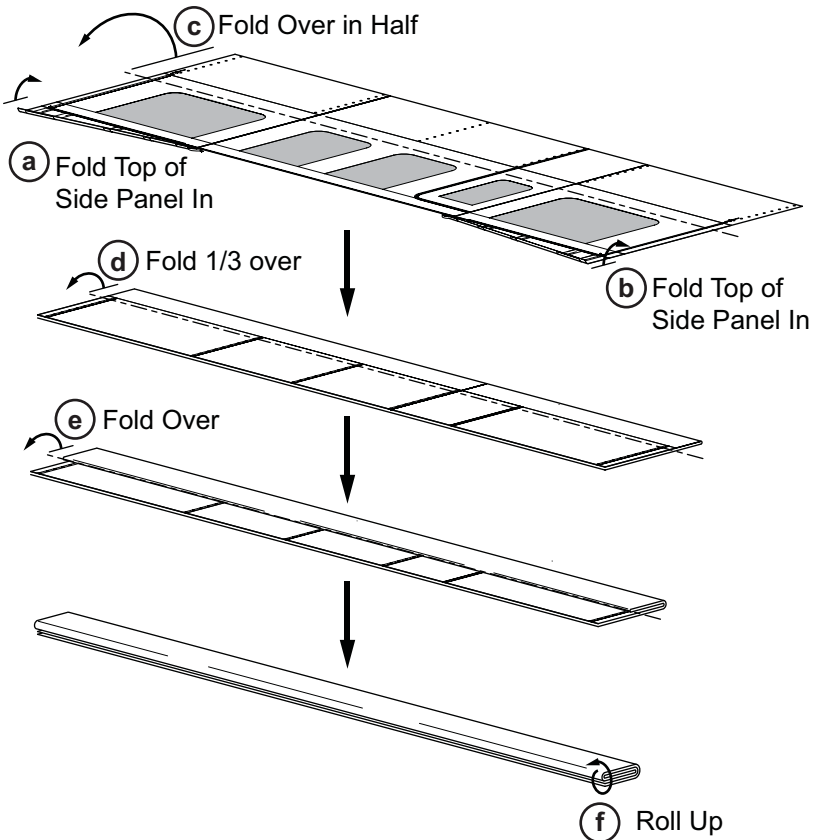
vac008a

4. Starting at the stair, position a skirt panel and attach the velcro.
5. Continue placing panels along the length of the awning. Please note that the panels are designed to overlap approximately 1 1/2".



## STORING THE ROOM

1. Remove the stakes and store.
2. Unfasten all buckles and clamps.
3. Remove and store the rail buckles.
4. *For manual awnings:* Slide the front panel section and zipper insert out of the roller tube. Position the awning pull strap in the center of the roller tube.
5. *For motorized awnings:* Unzip the front panel section from the zipper insert. The zipper insert can be left in the roller tube for storage.
6. Lay the room out flat with the privacy panels down. Fold the room as shown and pack in the bag.





## **ROOM CARE**

Maintaining a Carefree Room is easy. Just follow these basic steps:

- Always use the room according to the instructions.
- Keep the awning fabric and arms clean.

## **FABRIC CARE**

### **CAUTION**

**DO NOT USE OIL BASED CLEANERS OR ANY CAUSTIC, GRANULATED, OR ABRASIVE TYPE CLEANERS ON YOUR CAREFREE PRODUCT.**

1. One of the best ways to keep the fabric looking good and to delay the need for deep or vigorous cleanings is to hose fabrics off on a monthly basis with clear water. This practice will help prevent dirt from becoming deeply imbedded in the fabric. In most environments, a thorough cleaning will be needed every two to three years.
2. When it is time for a thorough cleaning, the fabric can be cleaned while still on the awning frame. Use a soft brush and warm water with soap.
3. When cleaning the fabric, it is important to observe the following:
  - Always use a natural soap, never detergent.
  - Water should be cold to lukewarm, never more than 100°F.
  - Air-dry only. Never apply heat to the fabric.
  - Always allow the fabric to dry thoroughly before storing the room.

## **MILDEW**

Mildew is a fungus growth that looks like dirt. Under ordinary conditions, mildew will not appear. However, in areas where high temperature and humidity are common, mildew can be a problem and require the material to be washed more frequently. Thoroughly rinse the fabric with clean water and allow to air dry completely before storing the room.

## **APPLICATIONS CHART**

*The VACATION'R fits on the following Carefree vertical arm awnings\*:*

**Manual Awnings:**

- ◆ *Spirit - Fiesta - Simplicity*
- ◆ *Pioneer*

**Motorized Awnings:**

- ◆ *Travel'r Fixed Flat Pitch*
- ◆ *Travel'r Fixed Steep Pitch*
- ◆ *Travel'r Adjustable Pitch*
- ◆ *Eclipse*

\* Awnings with vinyl canopies. Room does not fit awnings with acrylic fabric and Uniguard.

*The VACATION'R fits on the following A & E vertical arm awnings\*\*:*

**Manual Awnings:**

- ◆ *8300*

**Motorized Awnings:**

- ◆ *Weather Pro*
- ◆ *9100 Power Awning*

\*\* Room has not been tested on A & E awnings that are not listed.

---

## **CAREFREE MAJOR PRODUCT LIMITED WARRANTY**

Carefree of Colorado (hereafter referred to as Carefree) warrants to the first retail Purchaser that the Carefree Product is free of defects in material and workmanship within the terms and conditions as set forth in the warranty statement available online at [www.carefreeofcolorado.com](http://www.carefreeofcolorado.com). Carefree's obligation under this warranty is limited to the repair or replacement, at Carefree's option, of any defective component with new or factory refurbished components.

OWNER MUST RETAIN THE ORIGINAL PROOF OF PURCHASE AND/OR HAVE THE PRODUCT WARRANTY REGISTRATION ON FILE AT CAREFREE FOR WARRANTY CLAIMS.

THIS WARRANTY IS NOT TRANSFERABLE.

**For**

- **Warranty Duration;**
- **Warranty Coverage and Exclusions;**
- **Warranty Terms of Coverage; and,**
- **Warranty Claim Procedures**

Refer to publication  
052580-111 "Carefree Major Product Limited Warranty"  
available online at  
[www.carefreeofcolorado.com](http://www.carefreeofcolorado.com)

*Register your Carefree products on-line at [www.carefreeofcolorado.com](http://www.carefreeofcolorado.com)*

---

*Publications available on-line @ [www.carefreeofcolorado.com](http://www.carefreeofcolorado.com):*

**052564-001      Owner's Manual**

**IMPORTANT NOTICE:** It is strongly recommended that adjustments and repairs not described in this book be performed by trained technicians at your Authorized Carefree Dealer. Work performed by non-authorized persons or businesses may void warranty.

